

## Data Sheet

Customer :

Product : Thin Film Precision Chip Resistor - AR Series

Size: 0201/0402/0603/0805/1206/1210/2010/2512

Issued Date: 14-Dec-16

Edition : REV.E



VIKING TECH CORPORATION  
光頡科技股份有限公司

No.70, Guangfu N. Rad.,  
Hsin Chu Industrial Park,  
Hukou Hsiang, Hsin Chu Hsien,  
303, Taiwan

TEL:886-3-5972931

FAX:886-3-5972935•886-3-5973494

E-mail:sales@viking.com.tw

VIKING TECH CORPORATION KAOHSIUNG BRANCH  
光頡科技股份有限公司高雄分公司

No.248-3, Sin-Sheng Rd., Cian-Jhen Dist., Kaohsiung,  
806, Taiwan

TEL:886-7-8217999

FAX:886-7-8228229

E-mail:sales@viking.com.tw

WUXI TMTEC CO., LTD.  
無錫泰銘電子有限公司

No.1A,(Xixia Road),Machinery & Industry Park,  
National Hi-Tech Industrial Development Zone of  
Wuxi, Wuxi, Jiangsu Province, China

Zip Code:214028

TEL:86-510-85203339

FAX:86-510-85203667•86-510-85203977

E-mail:wuxisales@tmtec.com.tw

| Produced by<br>(QC) | Checked<br>(QC)  | Approved by<br>(QC) | Prepared by<br>(Sales) | Accepted by<br>(Customer) |
|---------------------|------------------|---------------------|------------------------|---------------------------|
| 14-Dec-16           | 14-Dec-16        | 14-Dec-16           | 14-Dec-16              |                           |
| <b>Chun</b>         | <b>Ben Chang</b> | <b>Ben Chang</b>    |                        |                           |

## Thin Film Precision Chip Resistor (AR Series)



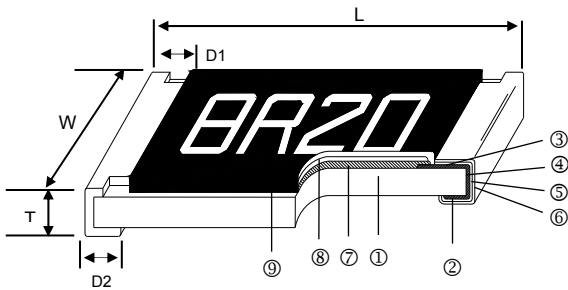
### ■ Features

- Advanced thin film technology
- Very tight tolerance down to  $\pm 0.01\%$
- Extremely low TCR down to  $\pm 2\text{PPM}/^\circ\text{C}$
- Wide resistance range 1ohm ~ 3Mega ohm
- Miniature size 0201 available

### ■ Applications

- Medical Equipment
- Testing / Measurement Equipment
- Printer Equipment
- Automatic Equipment Controller
- Converters
- Communication Device, Cell Phone, GPS, PDA

### ■ Construction



|                     |                      |                  |
|---------------------|----------------------|------------------|
| ① Alumina Substrate | ④ Edge Electrode     | ⑦ Resistor Layer |
| ② Bottom Electrode  | ⑤ Barrier Layer      | ⑧ Overcoat       |
| ③ Top Electrode     | ⑥ External Electrode | ⑨ Marking        |

### ■ Dimensions

Unit: mm

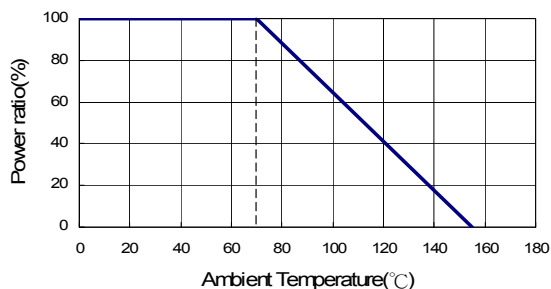
| Type | Size (Inch) | L               | W               | T               | D1              | D2              | Weight (g) (1000pcs) |
|------|-------------|-----------------|-----------------|-----------------|-----------------|-----------------|----------------------|
| AR01 | 0201        | 0.58 $\pm$ 0.05 | 0.29 $\pm$ 0.05 | 0.23 $\pm$ 0.05 | 0.12 $\pm$ 0.05 | 0.15 $\pm$ 0.05 | 0.14                 |
| AR02 | 0402        | 1.00 $\pm$ 0.05 | 0.50 $\pm$ 0.05 | 0.30 $\pm$ 0.05 | 0.20 $\pm$ 0.10 | 0.20 $\pm$ 0.10 | 0.54                 |
| AR03 | 0603        | 1.55 $\pm$ 0.10 | 0.80 $\pm$ 0.10 | 0.45 $\pm$ 0.10 | 0.30 $\pm$ 0.20 | 0.30 $\pm$ 0.20 | 1.83                 |
| AR05 | 0805        | 2.00 $\pm$ 0.15 | 1.25 $\pm$ 0.15 | 0.55 $\pm$ 0.10 | 0.30 $\pm$ 0.20 | 0.40 $\pm$ 0.20 | 4.71                 |
| AR06 | 1206        | 3.05 $\pm$ 0.15 | 1.55 $\pm$ 0.15 | 0.55 $\pm$ 0.10 | 0.42 $\pm$ 0.20 | 0.35 $\pm$ 0.25 | 9.02                 |
| AR13 | 1210        | 3.10 $\pm$ 0.15 | 2.40 $\pm$ 0.15 | 0.55 $\pm$ 0.10 | 0.40 $\pm$ 0.20 | 0.55 $\pm$ 0.25 | 10                   |
| AR10 | 2010        | 4.90 $\pm$ 0.15 | 2.40 $\pm$ 0.15 | 0.55 $\pm$ 0.10 | 0.60 $\pm$ 0.30 | 0.50 $\pm$ 0.25 | 23.61                |
| AR12 | 2512        | 6.30 $\pm$ 0.15 | 3.10 $\pm$ 0.15 | 0.55 $\pm$ 0.10 | 0.60 $\pm$ 0.30 | 0.50 $\pm$ 0.25 | 38.06                |

### ■ Part Numbering

|              |  |   |                           |  |  |  |   |
|--------------|--|---|---------------------------|--|--|--|---|
| AR           | 03   | T   | T                         | B  | Y  | 1001   | N   |
| Product Type | Dimensions (L×W)   | Resistance Tolerance  | Packaging Code            | TCR (PPM/°C)   | Power Rating   | Resistance                                       | Marking Code                                      |
|              | 01: 0201<br>02: 0402<br>03: 0603<br>05: 0805<br>06: 1206<br>13: 1210<br>10: 2010<br>12: 2512 | T: $\pm 0.01\%$<br>A: $\pm 0.05\%$<br>B: $\pm 0.1\%$<br>C: $\pm 0.25\%$<br>D: $\pm 0.5\%$<br>F: $\pm 1\%$ | T: Taping Reel<br>B: Bulk | X: $\pm 2$<br>O: $\pm 3$<br>S: $\pm 5$<br>B: $\pm 10$<br>N: $\pm 15$<br>C: $\pm 25$<br>D: $\pm 50$ | : Standard<br>Y: 1/16W<br>X: 1/10W<br>W: 1/8W<br>M: 1/6W<br>P: 1/5W<br>V: 1/4W<br>O: 1/3W<br>U: 1/2W<br>Q: 3/4W<br>T: 1W | 0010: 1Ω<br>4R70: 4.7Ω<br>1001: 1KΩ<br>1004: 1MΩ | : Standard Marking for E96 / E24<br>N: No Marking |

**Thin Film Precision Chip Resistor**

**Derating Curve**



**Standard Electrical Specifications**

| Item<br>Type | Power Rating at 70°C | Operating Temp. Range | Max. Operating Voltage | Max. Overload Voltage | Resistance Range |               |              |       |     | TCR (PPM/°C) |
|--------------|----------------------|-----------------------|------------------------|-----------------------|------------------|---------------|--------------|-------|-----|--------------|
|              |                      |                       |                        |                       | ±0.05%           | ±0.1%         | ±0.25%       | ±0.5% | ±1% |              |
| AR01 (0201)  | 1/32W                | -55 ~ +155°C          | 15V                    | 30V                   | -                |               |              |       |     | ±25          |
|              |                      |                       |                        |                       | 49.9Ω - 4.99KΩ   |               |              |       |     | ±50          |
| AR02 (0402)  | 1/16W                | -55 ~ +155°C          | 25V                    | 50V                   | 49.9Ω - 12KΩ     | 10Ω - 255KΩ   | 4.7Ω - 511KΩ |       |     | ±25<br>±50   |
| AR03 (0603)  | 1/16W                | -55 ~ +155°C          | 50V                    | 100V                  | 4.7Ω - 332KΩ     | 4.7Ω - 1MΩ    | 1Ω - 1MΩ     |       |     | ±25<br>±50   |
| AR05 (0805)  | 1/10W                | -55 ~ +155°C          | 100V                   | 200V                  | 4.7Ω - 1MΩ       | 4.7Ω - 2MΩ    | 1Ω - 2MΩ     |       |     | ±25<br>±50   |
| AR06 (1206)  | 1/8W                 | -55 ~ +155°C          | 150V                   | 300V                  | 4.7Ω - 1MΩ       | 4.7Ω - 2.49MΩ | 1Ω - 2.49MΩ  |       |     | ±25<br>±50   |
| AR13 (1210)  | 1/4W                 |                       |                        |                       |                  |               |              |       |     |              |
| AR10 (2010)  | 1/4W                 | -55 ~ +155°C          | 150V                   | 300V                  | 4.7Ω - 1MΩ       | 4.7Ω - 3MΩ    | 1Ω - 3MΩ     |       |     | ±25<br>±50   |
| AR12 (2512)  | 1/2W                 |                       |                        |                       |                  |               |              |       |     |              |

■ Lower Resistance: 1~10Ω

**Special Electrical Specifications**

| Item<br>Type  | Power Rating at 70°C | Operating Temp. Range | Max. Operating Voltage | Max. Overload Voltage | Resistance Range |              |                |        |       |     | TCR (PPM/°C) |  |  |
|---------------|----------------------|-----------------------|------------------------|-----------------------|------------------|--------------|----------------|--------|-------|-----|--------------|--|--|
|               |                      |                       |                        |                       | ±0.01%           | ±0.05%       | ±0.1%          | ±0.25% | ±0.5% | ±1% |              |  |  |
| AR02 (0402)   | 1/16W                | -55 ~ +155°C          | 25V                    | 50V                   | 49.9Ω - 4.99KΩ   |              | -              |        |       |     | ±2<br>±3     |  |  |
|               |                      |                       |                        |                       | 49.9Ω - 20KΩ     |              |                |        |       |     | ±5           |  |  |
|               |                      |                       |                        |                       | 49.9Ω - 20KΩ     |              | 49.9Ω - 100KΩ  |        |       |     | ±10          |  |  |
|               |                      |                       |                        |                       |                  |              | 49.9Ω - 69.8KΩ |        |       |     | ±15          |  |  |
| AR03 (0603)   | 1/16W                | -55 ~ +155°C          | 50V                    | 100V                  | 24.9Ω - 15KΩ     |              | -              |        |       |     | ±2<br>±3     |  |  |
|               |                      |                       |                        |                       | 24.9Ω - 60KΩ     |              |                |        |       |     | ±5           |  |  |
|               |                      |                       |                        |                       | 24.9Ω - 100KΩ    | 4.7Ω - 332KΩ | 4.7Ω - 511KΩ   |        |       |     | ±10<br>±15   |  |  |
|               |                      |                       |                        |                       | 24.9Ω - 30KΩ     |              | -              |        |       |     | ±2<br>±3     |  |  |
| 24.9Ω - 150KΩ |                      |                       |                        |                       |                  |              | ±5             |        |       |     |              |  |  |
| AR05 (0805)   | 1/10W                | -55 ~ +155°C          | 100V                   | 200V                  | 24.9Ω - 200KΩ    | 4.7Ω - 1MΩ   |                |        |       |     | ±10<br>±15   |  |  |
|               |                      |                       |                        |                       | 24.9Ω - 49.9KΩ   |              | -              |        |       |     | ±2<br>±3     |  |  |
|               |                      |                       |                        |                       | 24.9Ω - 300KΩ    |              |                |        |       |     | ±5           |  |  |
| AR06 (1206)   | 1/8W                 | -55 ~ +155°C          | 150V                   | 300V                  | 24.9Ω - 499KΩ    | 4.7Ω - 1.5MΩ |                |        |       |     | ±10<br>±15   |  |  |
|               |                      |                       |                        |                       | 24.9Ω - 49.9KΩ   |              | -              |        |       |     | ±2<br>±3     |  |  |
|               |                      |                       |                        |                       | 24.9Ω - 300KΩ    |              |                |        |       |     | ±5           |  |  |
| AR13 (1210)   | 1/4W                 | -55 ~ +155°C          | 150V                   | 300V                  | 24.9Ω - 499KΩ    | 4.7Ω - 1MΩ   |                |        |       |     | ±10<br>±15   |  |  |
|               |                      |                       |                        |                       | 24.9Ω - 49.9KΩ   |              | -              |        |       |     | ±2<br>±3     |  |  |
|               |                      |                       |                        |                       | 24.9Ω - 300KΩ    |              |                |        |       |     | ±5           |  |  |
| AR10 (2010)   | 1/4W                 | -55 ~ +155°C          | 150V                   | 300V                  | 24.9Ω - 499KΩ    | 4.7Ω - 1MΩ   |                |        |       |     | ±10<br>±15   |  |  |
|               |                      |                       |                        |                       | 24.9Ω - 100KΩ    |              | -              |        |       |     | ±2<br>±3     |  |  |
|               |                      |                       |                        |                       | 24.9Ω - 300KΩ    |              |                |        |       |     | ±5           |  |  |
| AR12 (2512)   | 1/2W                 | -55 ~ +155°C          | 150V                   | 300V                  | 24.9Ω - 499KΩ    | 4.7Ω - 1MΩ   |                |        |       |     | ±10<br>±15   |  |  |
|               |                      |                       |                        |                       | 24.9Ω - 100KΩ    |              | -              |        |       |     | ±2<br>±3     |  |  |
|               |                      |                       |                        |                       | 24.9Ω - 300KΩ    |              |                |        |       |     | ±5           |  |  |

**High Power Rating Electrical Specifications**

| Item Type   | Power Rating at 70°C | Operating Temp. Range | Max. Operating Voltage | Max. Overload Voltage | Resistance Range |        |              |              |              |             | TCR (PPM/°C) |  |            |
|-------------|----------------------|-----------------------|------------------------|-----------------------|------------------|--------|--------------|--------------|--------------|-------------|--------------|--|------------|
|             |                      |                       |                        |                       | ±0.01%           | ±0.05% | ±0.1%        | ±0.25%       | ±0.5%        | ±1%         |              |  |            |
| AR02 (0402) | 1/10W                | -55 ~ +155°C          | 50V                    | 100V                  | 49.9Ω - 4.99KΩ   |        |              | -            |              |             | ±2<br>±3     |  |            |
|             |                      |                       |                        |                       | 49.9Ω - 4.99KΩ   |        |              |              |              |             | ±5           |  |            |
|             |                      |                       |                        |                       | 49.9Ω - 12KΩ     |        |              | 49.9Ω - 60KΩ |              |             | ±10          |  |            |
|             |                      |                       |                        |                       | 49.9Ω - 69.8KΩ   |        |              | ±15          |              |             |              |  |            |
| AR03 (0603) | 1/10W                | -55 ~ +155°C          | 75V                    | 150V                  | 24.9Ω - 15KΩ     |        |              | -            |              |             | ±2<br>±3     |  |            |
|             |                      |                       |                        |                       | 24.9Ω - 15KΩ     |        |              |              |              |             | ±5           |  |            |
|             |                      |                       |                        |                       | 24.9Ω - 100KΩ    |        | 4.7Ω - 332KΩ |              | 4.7Ω - 332KΩ |             | ±10<br>±15   |  |            |
|             |                      |                       |                        |                       | 4.7Ω - 1MΩ       |        | ±25<br>±50   |              |              |             |              |  |            |
| 1/6W        | -55 ~ +155°C         | 100V                  | 150V                   | -                     |                  |        |              |              |              | 10Ω - 332KΩ | ±25<br>±50   |  |            |
|             |                      |                       |                        | -                     |                  |        |              |              |              | 10Ω - 332KΩ |              |  | ±25<br>±50 |
| AR05 (0805) | 1/8W                 | -55 ~ +155°C          | 150V                   | 300V                  | 24.9Ω - 30KΩ     |        |              | -            |              |             | ±2<br>±3     |  |            |
|             |                      |                       |                        |                       | 24.9Ω - 30KΩ     |        |              |              |              |             | ±5           |  |            |
|             |                      |                       |                        |                       | 24.9Ω - 200KΩ    |        | 4.7Ω - 511KΩ |              | 4.7Ω - 511KΩ |             | ±10          |  |            |
|             |                      |                       |                        |                       | 4.7Ω - 1MΩ       |        | 1Ω - 1MΩ     |              | ±15          |             |              |  |            |
| 1/4W        | -55 ~ +155°C         | 150V                  | 300V                   | -                     |                  |        |              |              |              | 10Ω - 499KΩ | ±25<br>±50   |  |            |
|             |                      |                       |                        | -                     |                  |        |              |              |              | 10Ω - 499KΩ |              |  | ±25<br>±50 |
| AR06 (1206) | 1/4W                 | -55 ~ +155°C          | 200V                   | 400V                  | 24.9Ω - 49.9KΩ   |        |              | -            |              |             | ±2<br>±3     |  |            |
|             |                      |                       |                        |                       | 24.9Ω - 49.9KΩ   |        |              |              |              |             | ±5           |  |            |
|             |                      |                       |                        |                       | 24.9Ω - 499KΩ    |        | 4.7Ω - 1MΩ   |              |              |             | ±10<br>±15   |  |            |
|             |                      |                       |                        |                       | 4.7Ω - 1MΩ       |        | ±25<br>±50   |              |              |             |              |  |            |
| 1/3W        | -55 ~ +155°C         | 200V                  | 400V                   | -                     |                  |        |              |              |              | 10Ω ~ 1MΩ   | ±25<br>±50   |  |            |
|             |                      |                       |                        | -                     |                  |        |              |              |              | 10Ω ~ 1MΩ   |              |  | ±25<br>±50 |
| AR13 (1210) | 1/3W                 | -55 ~ +155°C          | 200V                   | 400V                  | 24.9Ω - 49.9KΩ   |        |              | -            |              |             | ±2<br>±3     |  |            |
|             |                      |                       |                        |                       | 24.9Ω - 49.9KΩ   |        |              |              |              |             | ±5           |  |            |
|             |                      |                       |                        |                       | 24.9Ω - 499KΩ    |        | 4.7Ω - 1MΩ   |              |              |             | ±10<br>±15   |  |            |
|             |                      |                       |                        |                       | 4.7Ω - 1MΩ       |        | ±25<br>±50   |              |              |             |              |  |            |
| AR10(2010)  | 1/3W                 | -55 ~ +155°C          | 200V                   | 400V                  | 24.9Ω - 49.9KΩ   |        |              | -            |              |             | ±2<br>±3     |  |            |
|             |                      |                       |                        |                       | 24.9Ω - 49.9KΩ   |        |              |              |              |             | ±5           |  |            |
|             |                      |                       |                        |                       | 24.9Ω - 499KΩ    |        | 4.7Ω - 1MΩ   |              |              |             | ±10<br>±15   |  |            |
|             |                      |                       |                        |                       | 4.7Ω - 1MΩ       |        | ±25<br>±50   |              |              |             |              |  |            |
| AR12(2512)  | 3/4W                 | -55 ~ +155°C          | 200V                   | 400V                  | 24.9Ω - 2KΩ      |        | 4.7Ω - 2KΩ   |              | 1Ω - 2KΩ     |             | ±10<br>±15   |  |            |
|             |                      |                       |                        |                       | 1Ω - 2KΩ         |        | ±25<br>±50   |              |              |             |              |  |            |
| 1W          | -55 ~ +155°C         | 200V                  | 400V                   | -                     |                  |        |              |              |              | 4.7Ω - 100Ω | ±25<br>±50   |  |            |
|             |                      |                       |                        | -                     |                  |        |              |              |              | 4.7Ω - 100Ω |              |  | ±25<br>±50 |

Operating Voltage= $\sqrt{P \cdot R}$  or Max. operating voltage listed above, whichever is lower.  
 Overload Voltage= $2.5 \cdot \sqrt{P \cdot R}$  or Max. overload voltage listed above, whichever is lower.  
 ■Viking is capable of manufacturing the optional spec based on customer's requirement.  
**(Lower Resistance:1~10Ω ; High Power Rating)**

**Environmental Characteristics**

| Item   | Requirement                   |              | Test Method   |
|--|-------------------------------|--------------|---|
|  | Tol. ≤ 0.05%                  | Tol. > 0.05% |   |
| Temperature Coefficient of Resistance (T.C.R.) | As Spec.                      |              | <b>MIL-STD-202 Method 304</b><br>+25/-55/+25/+125/+25°C   |
| Short Time Overload                            | ΔR±0.05%                      | ΔR±0.2%      | <b>JIS-C-5201-1 5.5</b><br>RCWV*2.5 or Max. overload voltage whichever is lower for 5 seconds               |
|  | ΔR±0.2% for high power rating |              |   |
| Insulation Resistance                          | >9999 MΩ                      |              | <b>MIL-STD-202 Method 302</b><br>Apply 100V <sub>DC</sub> for 1 minute                                      |
| Endurance                                      | ΔR±0.05%                      | ΔR±0.2%      | <b>MIL-STD-202 Method 108A</b><br>70±2°C, RCWV for 1000 hrs with 1.5 hrs "ON" and 0.5 hrs "OFF"             |
|  | >7kΩ ΔR±0.5%                  |              |   |
|  | ΔR±0.5% for high power rating |              |   |
| Damp Heat with Load                            | ΔR±0.05%                      | ΔR±0.3%      | <b>MIL-STD-202 Method 103B</b><br>40±2°C, 90~95% R.H. RCWV for 1000 hrs with 1.5 hrs "ON" and 0.5 hrs "OFF" |
|  | ΔR±0.5% for high power rating |              |   |
| Bending Strength                               | ΔR±0.05%                      | ΔR±0.1%      | <b>JIS-C-5201-1 6.1.4</b><br>Bending amplitude 3 mm for 10 seconds  |
| Solderability                                  | 95% min. coverage             |              | <b>MIL-STD-202 Method 208H</b><br>245±5°C for 3 seconds   |
| Resistance to Soldering Heat                   | ΔR±0.05%                      | ΔR±0.1%      | <b>MIL-STD-202 Method 210E</b><br>260±5°C for 10 seconds  |
| Dielectric Withstand Voltage                   | By Type                       |              | <b>MIL-STD-202 Method 301</b><br>Max. overload voltage for 1 minute   |
| Thermal Shock                                  | ΔR±0.05%                      | ΔR±0.2%      | <b>MIL-STD-202 Method 107G</b><br>-55°C ~150°C, 100 cycles  |
| Low Temperature Operation                      | ΔR±0.05%                      | ΔR±0.2%      | <b>JIS-C-5201-1 7.1</b><br>1 hour, -65°C, followed by 45 minutes of RCWV                                    |
|  | ΔR±0.5% for high power rating |              |   |
| High Temperature Exposure                      | ΔR±0.5%                       |              | <b>MIL-STD-202 Method 108</b><br>at +155°C for 1000 hrs   |

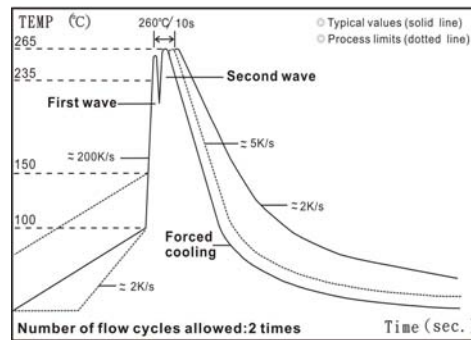
RCWV(Rated continuous working voltage)=  $\sqrt{P \cdot R}$  or Max. Operating voltage whichever is lower

■ Storage Temperature: 15~28°C; Humidity < 80%RH

**Soldering Condition**



IR Reflow Soldering



Wave Soldering (Flow Soldering)

- (1) Time of IR reflow soldering at maximum temperature point 260°C : 10s
- (2) Time of wave soldering at maximum temperature point 260°C : 10s
- (3) Time of soldering iron at maximum temperature point 410°C : 5s

**■ Marking**

0603 3digit marking



3digit marking for Example: 14C=13K7Ω 13C=13K3Ω  
68B=4K99Ω 68X=49.9Ω

Marking Table

| Code       | E96             | Code            | E96             | Code            | E96             | Code            | E96             |                 |                  |                  |                  |
|------------|-----------------|-----------------|-----------------|-----------------|-----------------|-----------------|-----------------|-----------------|------------------|------------------|------------------|
| 01         | 100             | 25              | 178             | 49              | 316             | 73              | 562             |                 |                  |                  |                  |
| 02         | 102             | 26              | 182             | 50              | 324             | 74              | 576             |                 |                  |                  |                  |
| 03         | 105             | 27              | 187             | 51              | 332             | 75              | 590             |                 |                  |                  |                  |
| 04         | 107             | 28              | 191             | 52              | 340             | 76              | 604             |                 |                  |                  |                  |
| 05         | 110             | 29              | 196             | 53              | 348             | 77              | 619             |                 |                  |                  |                  |
| 06         | 113             | 30              | 200             | 54              | 357             | 78              | 634             |                 |                  |                  |                  |
| 07         | 115             | 31              | 205             | 55              | 365             | 79              | 649             |                 |                  |                  |                  |
| 08         | 118             | 32              | 210             | 56              | 374             | 80              | 665             |                 |                  |                  |                  |
| 09         | 121             | 33              | 215             | 57              | 383             | 81              | 681             |                 |                  |                  |                  |
| 10         | 124             | 34              | 221             | 58              | 392             | 82              | 698             |                 |                  |                  |                  |
| 11         | 127             | 35              | 226             | 59              | 402             | 83              | 715             |                 |                  |                  |                  |
| 12         | 130             | 36              | 232             | 60              | 412             | 84              | 732             |                 |                  |                  |                  |
| 13         | 133             | 37              | 237             | 61              | 422             | 85              | 750             |                 |                  |                  |                  |
| 14         | 137             | 38              | 243             | 62              | 432             | 86              | 768             |                 |                  |                  |                  |
| 15         | 140             | 39              | 249             | 63              | 442             | 87              | 787             |                 |                  |                  |                  |
| 16         | 143             | 40              | 255             | 64              | 453             | 88              | 806             |                 |                  |                  |                  |
| 17         | 147             | 41              | 261             | 65              | 464             | 89              | 825             |                 |                  |                  |                  |
| 18         | 150             | 42              | 267             | 66              | 475             | 90              | 845             |                 |                  |                  |                  |
| 19         | 154             | 43              | 274             | 67              | 487             | 91              | 866             |                 |                  |                  |                  |
| 20         | 158             | 44              | 280             | 68              | 499             | 92              | 887             |                 |                  |                  |                  |
| 21         | 162             | 45              | 287             | 69              | 511             | 93              | 909             |                 |                  |                  |                  |
| 22         | 165             | 46              | 294             | 70              | 523             | 94              | 931             |                 |                  |                  |                  |
| 23         | 169             | 47              | 301             | 71              | 536             | 95              | 953             |                 |                  |                  |                  |
| 24         | 174             | 48              | 309             | 72              | 549             | 96              | 976             |                 |                  |                  |                  |
| Code       | A               | B               | C               | D               | E               | F               | G               | H               | X                | Y                | Z                |
| Multiplier | 10 <sup>0</sup> | 10 <sup>1</sup> | 10 <sup>2</sup> | 10 <sup>3</sup> | 10 <sup>4</sup> | 10 <sup>5</sup> | 10 <sup>6</sup> | 10 <sup>7</sup> | 10 <sup>-1</sup> | 10 <sup>-2</sup> | 10 <sup>-3</sup> |

0603 3digit marking for E24

Example: 101=100Ω 102=1KΩ

|     |    |    |    |    |    |    |    |    |    |    |    |    |    |    |    |    |    |    |    |    |    |    |    |    |
|-----|----|----|----|----|----|----|----|----|----|----|----|----|----|----|----|----|----|----|----|----|----|----|----|----|
| E24 | 10 | 11 | 12 | 13 | 15 | 16 | 18 | 20 | 22 | 24 | 27 | 30 | 33 | 36 | 39 | 43 | 47 | 51 | 56 | 62 | 68 | 75 | 82 | 91 |
|-----|----|----|----|----|----|----|----|----|----|----|----|----|----|----|----|----|----|----|----|----|----|----|----|----|

0805~2512 4digit marking

Example

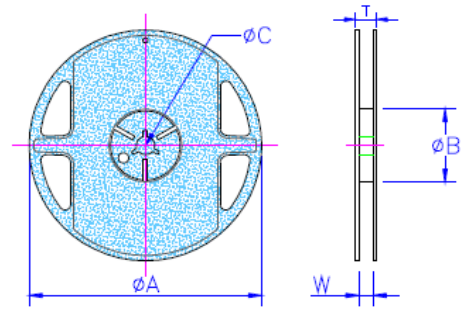
|            |      |       |      |        |       |
|------------|------|-------|------|--------|-------|
| Resistance | 100Ω | 2.2KΩ | 10KΩ | 49.9KΩ | 100KΩ |
| marking    | 1000 | 2201  | 1002 | 4992   | 1003  |

**■Packaging**

Packing Quantity & Reel Specifications

Unit :mm

| Type | ØA        | ØB       | ØC       | W        | T        | Paper Tape (EA) | Emboss Plastic Tape (EA) |
|------|-----------|----------|----------|----------|----------|-----------------|--------------------------|
| AR01 | 178.0±1.0 | 60.0±1.0 | 13.5±0.7 | 9.5±1.0  | 11.5±1.0 | 10,000          | -                        |
| AR02 | 178.0±1.0 | 60.0±1.0 | 13.5±0.7 | 9.5±1.0  | 11.5±1.0 | 10,000          | -                        |
| AR03 | 178.0±1.0 | 60.0±1.0 | 13.5±0.7 | 9.5±1.0  | 11.5±1.0 | 5,000           | -                        |
| AR05 | 178.0±1.0 | 60.0±1.0 | 13.5±0.7 | 9.5±1.0  | 11.5±1.0 | 5,000           | -                        |
| AR06 | 178.0±1.0 | 60.0±1.0 | 13.5±0.7 | 9.5±1.0  | 11.5±1.0 | 5,000           | -                        |
| AR13 | 178.0±1.0 | 60.0±1.0 | 13.5±0.7 | 9.5±1.0  | 11.5±1.0 | 5,000           | -                        |
| AR10 | 178.0±1.0 | 60.0±1.0 | 13.5±0.7 | 13.5±1.0 | 15.5±1.0 | -               | 4,000                    |
| AR12 | 178.0±1.0 | 60.0±1.0 | 13.5±0.7 | 13.5±1.0 | 15.5±1.0 | -               | 4,000                    |



Paper Tape Specifications



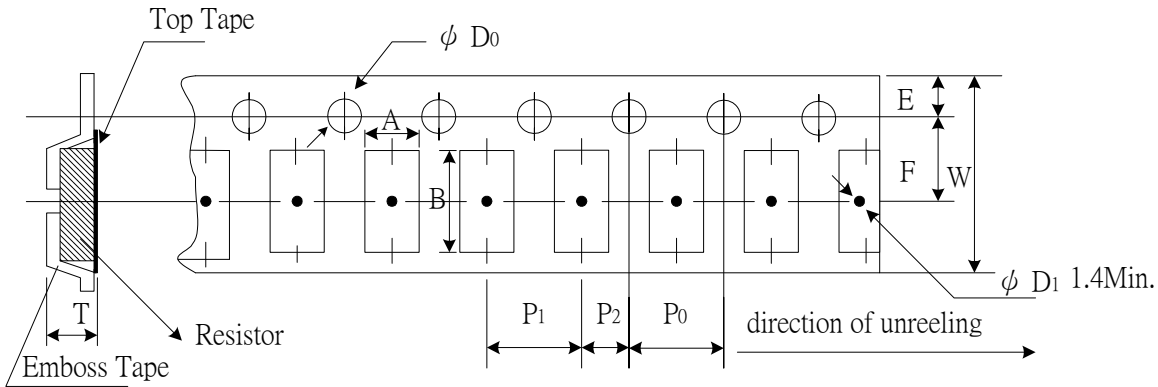
Unit: mm

| Type | A         | B         | W         | E         | F        | P <sub>0</sub> | P <sub>1</sub> | P <sub>2</sub> | ΦD <sub>0</sub> | T         |
|------|-----------|-----------|-----------|-----------|----------|----------------|----------------|----------------|-----------------|-----------|
| AR01 | 0.40±0.05 | 0.70±0.05 | 8.00±0.10 | 1.75±0.05 | 3.5±0.05 | 4.00±0.10      | 2.00±0.05      | 2.00±0.05      | 1.55±0.03       | 0.42±0.02 |
| AR02 | 0.70±0.05 | 1.16±0.05 | 8.00±0.10 | 1.75±0.05 | 3.5±0.05 | 4.00±0.10      | 2.00±0.05      | 2.00±0.05      | 1.55±0.05       | 0.40±0.03 |
| AR03 | 1.10±0.05 | 1.90±0.05 | 8.00±0.10 | 1.75±0.05 | 3.5±0.05 | 4.00±0.10      | 4.00±0.10      | 2.00±0.05      | 1.55±0.05       | 0.60±0.03 |
| AR05 | 1.60±0.05 | 2.37±0.05 | 8.00±0.10 | 1.75±0.05 | 3.5±0.05 | 4.00±0.10      | 4.00±0.10      | 2.00±0.05      | 1.55±0.05       | 0.75±0.05 |
| AR06 | 2.00±0.05 | 3.55±0.05 | 8.00±0.10 | 1.75±0.05 | 3.5±0.05 | 4.00±0.10      | 4.00±0.10      | 2.00±0.05      | 1.55±0.05       | 0.75±0.05 |
| AR13 | 2.75±0.05 | 3.40±0.05 | 8.00±0.10 | 1.75±0.05 | 3.5±0.05 | 4.00±0.05      | 4.00±0.10      | 2.00±0.05      | 1.60±0.10       | 0.75±0.05 |

- Peel force of top cover tape
- The peel speed shall be about 300mm/min±5%
- The peel force of top cover tape shall be between 8gf to 60gf



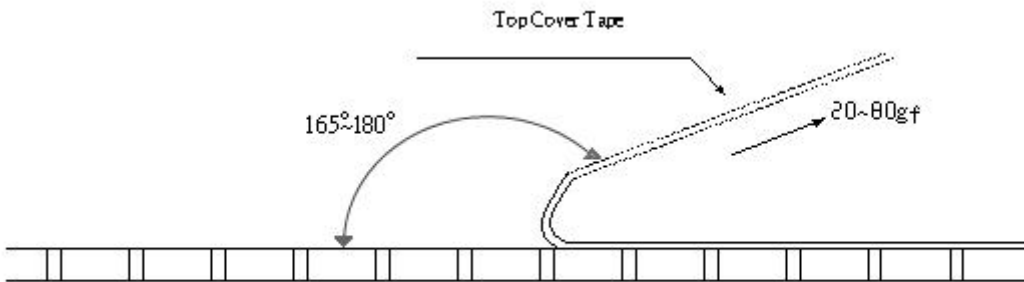
Emboss Plastic Tape Specifications



Unit: mm

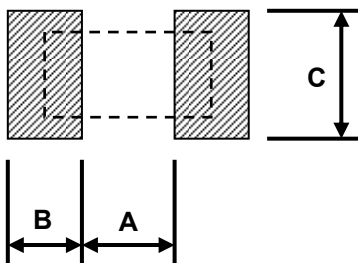
| Type | A         | B         | W         | E         | F        | P <sub>0</sub> | P <sub>1</sub> | P <sub>2</sub> | ØD <sub>0</sub> | T         |
|------|-----------|-----------|-----------|-----------|----------|----------------|----------------|----------------|-----------------|-----------|
| AR10 | 2.85±0.10 | 5.45±0.10 | 12.0±0.10 | 1.75±0.10 | 5.5±0.05 | 4.00±0.05      | 4.00±0.10      | 2.00±0.05      | 1.50±0.10       | 1.00±0.20 |
| AR12 | 3.40±0.10 | 6.65±0.10 | 12.0±0.10 | 1.75±0.10 | 5.5±0.05 | 4.00±0.05      | 4.00±0.10      | 2.00±0.05      | 1.50±0.10       | 1.00±0.20 |

- Peel force of top cover tape
- The peel speed shall be about 300mm/min±5%
- The peel force of top cover tape shall be between 20gf to 80gf



■ **Recommend Land Pattern**

Unit: mm



| Type | A    | B    | C        |
|------|------|------|----------|
| AR01 | 0.25 | 0.30 | 0.40±0.2 |
| AR02 | 0.50 | 0.50 | 0.60±0.2 |
| AR03 | 0.80 | 1.00 | 0.90±0.2 |
| AR05 | 1.00 | 1.00 | 1.35±0.2 |
| AR06 | 2.00 | 1.15 | 1.70±0.2 |
| AR13 | 2.00 | 1.15 | 2.50±0.2 |
| AR10 | 3.60 | 1.40 | 2.50±0.2 |
| AR12 | 4.90 | 1.60 | 3.10±0.2 |



**REVISION HISTORY**

| <b>REVISION</b> | <b>DATE</b>   | <b>CHANGE NOTIFICATION</b> | <b>DESCRIPTION</b>   |
|-----------------|---------------|----------------------------|--|
| Version D3      | Jan. 14, 2013 | -                          | - Add resistance range for Special Electrical and High Power Rating Electrical Specifications.<br>- Adjust the mockup.   |
| Version D4      | Apr. 10, 2013 | -                          | - Add "RCWV" description in Environment Characteristic Test Method.  |
| Version D5      | Oct. 16, 2013 | -                          | - Increase the resistance range of AR05, TCR15 product.  |
| Version D6      | Oct. 17, 2014 | -                          | - Correct the specification of top cover tape peel force.<br>- Update the resistance range of AR05 (Standard) to 4.7Ω -1MΩ   |
| Version D7      | Apr. 28, 2015 | -                          | - Add TCR ±2ppm and ±3ppm products specification.<br>- Increase the resistance range of the products below: <ul style="list-style-type: none"><li>• AR02 and AR03 of Standard Electrical Specifications.</li><li>• AR02, AR03 and AR05 of Special Electrical Specifications.</li></ul> - Correct the element of Top Electrode. |
| Version D8      | May. 02, 2016 | -                          | - Modify Storage Temperature.  |
| Version D9      | Aug.04, 2016  | -                          | - Update items and requirements of Environmental Characteristics.<br>- Increase the resistance range of Special Electrical Specifications products.  |
| Version E       | Dec.14, 2016  | -                          | - Add AR02 High Power Rating Electrical Specifications.  |

## X-ON Electronics

Largest Supplier of Electrical and Electronic Components

*Click to view similar products for [Thin Film Resistors - SMD category](#):*

*Click to view products by [Viking manufacturer](#):*

Other Similar products are found below :

[D55342E07B379BR-TR](#) [AR02BTC1872](#) [AR02BTC18R7](#) [AR02BTC3830](#) [AR02BTC4220](#) [AR02BTC4422](#) [AR02BTC5100](#) [AR02BTC5111](#)  
[AR02BTC5762](#) [AR02BTC8251](#) [AR02BTC8452](#) [AR03BTC0110](#) [AR03BTC0120](#) [AR03BTC0330](#) [AR03BTC0390](#) [AR03BTC1102](#)  
[AR03BTC1103](#) [AR03BTC1201](#) [AR03BTC2000](#) [AR03BTC2201](#) [AR03BTC2203](#) [AR03BTC2490](#) [AR03BTC3003](#) [AR03BTC4220](#)  
[AR03BTC4223N](#) [AR03BTC5602](#) [AR03BTC5603](#) [AR03BTC5900](#) [AR03BTC6802](#) [AR03BTC7500](#) [AR03BTC9100](#) [AR03BTC9103](#)  
[AR03BTC9760](#) [AR05BTC0280](#) [AR05BTC1000](#) [AR05BTC1100](#) [AR05BTC1201](#) [AR05BTC1202](#) [AR05BTC1300](#) [AR05BTC14R3](#)  
[AR05BTC1500](#) [AR05BTC1523](#) [AR05BTC1620](#) [AR05BTC1622](#) [AR05BTC1623](#) [AR05BTC1760](#) [AR05BTC1800](#) [AR05BTC1823](#)  
[AR05BTC1871](#) [AR05BTC2003](#)