

## Data Sheet

Customer:

Product: Automotive Grade Chip Resistor – CR..A Series

Size: 0201/0402/0603/0805/1206/1210/2010/2512

Issued Date: 21-Oct-19

Edition: REV.B1



VIKING TECH CORPORATION  
光頡科技股份有限公司  
No.70 Guangfu N. Rd., Hukou  
Township, Hsinchu County 303,  
Taiwan

TEL:886-3-5972931  
FAX:886-3-5972935•886-3-5973494  
E-mail:sales@viking.com.tw

VIKING TECH CORPORATION KAOHSIUNG BRANCH  
光頡科技股份有限公司高雄分公司  
No.248-3, Sin-Sheng Rd., Cian-Jhen Dist., Kaohsiung,  
806, Taiwan

TEL:886-7-8217999  
FAX:886-7-8228229  
E-mail:sales@viking.com.tw

VIKING ELECTRONICS (WUXI) CO., LTD.  
光頡電子(無錫)有限公司  
No.22 Xixia Road, Machinery & Industry Park,  
National Hi-Tech Industrial Development Zone  
of Wuxi, Wuxi, Jiangsu Province, China  
Zip Code:214028  
TEL:86-510-85203339  
FAX:86-510-85203667•86-510-85203977  
E-mail:china@viking.com.tw

| Produced by<br>(QC) | Checked<br>(QC) | Approved by<br>(QC) | Prepared by<br>(Sales) | Accepted by<br>(Customer) |
|---------------------|-----------------|---------------------|------------------------|---------------------------|
| 21-Oct-19           | 21-Oct-19       | 21-Oct-19           | 21-Oct-19              |                           |
| <b>Susan Huang</b>  | <b>J.C. Liu</b> | <b>J.C. Liu</b>     |                        |                           |

## Automotive Grade Chip Resistor-CR..A Series

### Scope

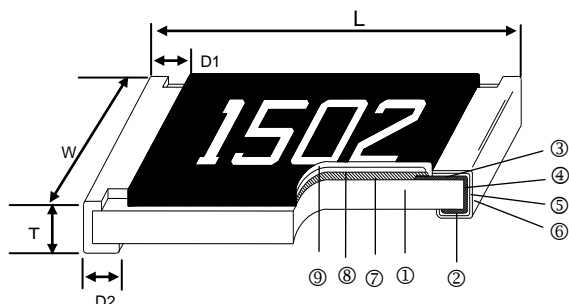
– This specification applies to all sizes of rectangular-type fixed chip resistors with Ruthenium-base as material.

### Features

- AEC-Q200 Compliance
- Highly reliable multilayer electrode construction
- Compatible with all soldering process
- 100% CCD inspection



### Construction



### Applications

- Automotive Industry
- Telecommunication Equipments
- Radio and Tape Recorders, TV Tuners
- Digital Cameras, Watches, Pocket Calculators
- Computers, Instruments
- Medical Equipment

|                     |                      |                      |
|---------------------|----------------------|----------------------|
| ① Alumina Substrate | ④ Edge Electrode     | ⑦ Resistor Layer     |
| ② Bottom Electrode  | ⑤ Barrier Layer      | ⑧ Primary Overcoat   |
| ③ Top Electrode     | ⑥ External Electrode | ⑨ Secondary Overcoat |

### Dimensions

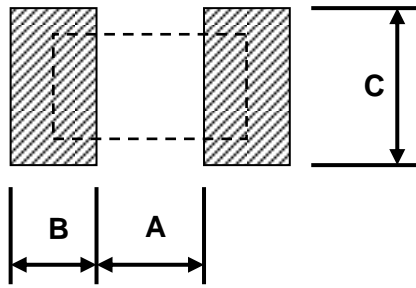
| Type  | Size (Inch) | L (mm)    | W (mm)    | T (mm)    | D1 (mm)   | D2 (mm)   | Weight (g) (1000pcs) |
|-------|-------------|-----------|-----------|-----------|-----------|-----------|----------------------|
| CR-01 | 0201        | 0.60±0.03 | 0.30±0.03 | 0.23±0.03 | 0.15±0.05 | 0.15±0.05 | 0.150                |
| CR-02 | 0402        | 1.00±0.05 | 0.50±0.05 | 0.35±0.05 | 0.20±0.10 | 0.20±0.10 | 0.620                |
| CR-03 | 0603        | 1.60±0.10 | 0.80±0.10 | 0.45±0.10 | 0.30±0.20 | 0.30±0.20 | 2.042                |
| CR-05 | 0805        | 2.00±0.10 | 1.25±0.10 | 0.50±0.10 | 0.35±0.20 | 0.40±0.20 | 4.368                |
| CR-06 | 1206        | 3.10±0.10 | 1.55±0.10 | 0.55±0.10 | 0.50±0.25 | 0.50±0.20 | 8.947                |
| CR-10 | 1210        | 3.10±0.10 | 2.60±0.15 | 0.55±0.10 | 0.50±0.25 | 0.50±0.20 | 15.959               |
| CR-0A | 2010        | 5.00±0.10 | 2.50±0.15 | 0.55±0.10 | 0.60±0.25 | 0.50±0.20 | 24.241               |
| CR-12 | 2512        | 6.35±0.10 | 3.10±0.15 | 0.55±0.10 | 0.60±0.25 | 0.50±0.20 | 39.448               |

**Part Numbering**

Part Number : CR-03FA7---10R

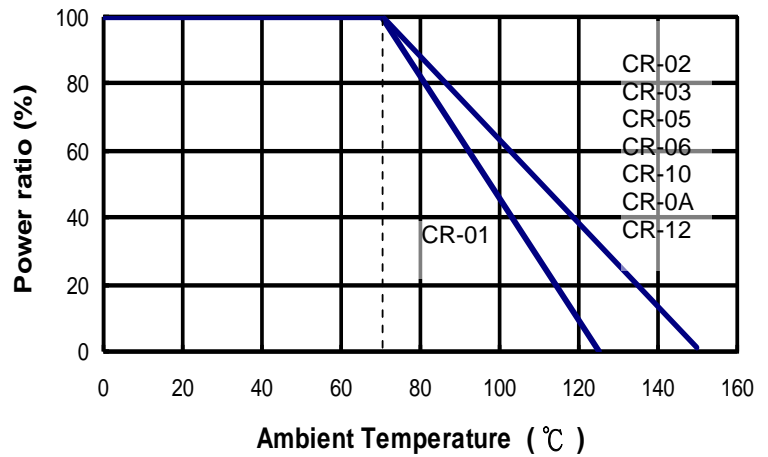
|                     |  |                              |   |  |   |
|---------------------|--|------------------------------|---|--|---|
| CR-                 | 03   | F                            | A   | 7  | - - - 1 0 R   |
| <b>Product Type</b> | <b>Dimensions</b>  | <b>Resistance Tolerance</b>  | <b>Function Code</b>                                    | <b>Packaging Code</b>  | <b>Resistance</b>   |
| CR-                 | 01: 0201<br>02: 0402<br>03: 0603<br>05: 0805<br>06: 1206<br>10: 1210<br>0A: 2010<br>12: 2512 | D: ±0.5%<br>F: ±1%<br>J: ±5% | A: Automotive Grade<br>C: High Power & Automotive Grade | 4: 7" Reel 4Kpcs<br>6: 7" Reel 10Kpcs<br>7: 7" Reel 5Kpcs<br>9: 10" Reel 8Kpcs<br>A: 10" Reel 10Kpcs<br>B: 10" Reel 20Kpcs<br>C: 13" Reel 40Kpcs<br>D: 13" Reel 20Kpcs | --- 1R2: 1.2Ω<br>--- 3K3: 3.3KΩ<br>--- 10K: 10KΩ<br>-- 100K: 100KΩ<br>“-” to fill up 6 spaces |

**Recommend Land Pattern**

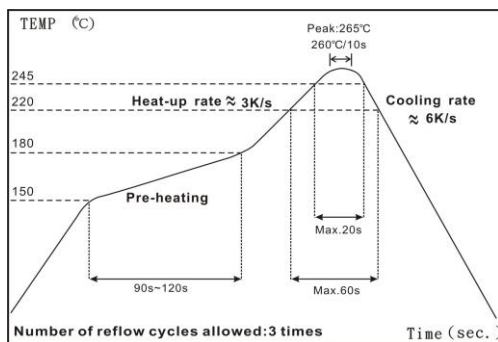


| Type  | A (mm) | B (mm) | C (mm) |
|-------|--------|--------|--------|
| CR-01 | 0.30   | 0.25   | 0.30   |
| CR-02 | 0.50   | 0.45   | 0.60   |
| CR-03 | 0.90   | 0.60   | 0.90   |
| CR-05 | 1.20   | 0.70   | 1.30   |
| CR-06 | 2.00   | 0.90   | 1.60   |
| CR-10 | 2.00   | 0.90   | 2.80   |
| CR-0A | 3.80   | 0.90   | 2.80   |
| CR-12 | 4.90   | 1.60   | 3.50   |

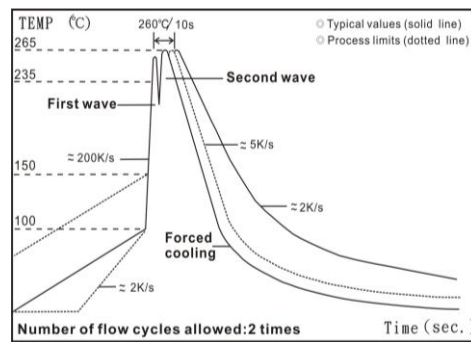
**Derating Curve**



**Soldering Condition**



IR Reflow Soldering



Wave Soldering (Flow Soldering)

- (1) Time of IR reflow soldering at maximum temperature point 260°C : 10s
- (2) Time of wave soldering at maximum temperature point 260°C : 10s

(3) Time of soldering iron at maximum temperature point 410°C : 5s

**Standard Electrical Specifications**

| Type         | Item  | Power Rating at 70°C<br>Jumper<br>Rated Current | Operating<br>Temp. Range | Max.<br>Operating<br>Voltage | Max.<br>Overload<br>Voltage | Resistance Range                         |          | TCR<br>(PPM/°C)      |
|--------------|-------|---|--------------------------|------------------------------|-----------------------------|--|----------|----------------------|
|              |       |   |                          |                              |                             | ±1%(E24、E96)                             | ±5%(E24) |                      |
| CR-01 (0201) | 1/20W | Jumper: 1A                                      | -55 ~ +125°C             | 25V                          | 50V                         | 1Ω - 10MΩ                                |          | ±200                 |
|              | -     |   |                          |                              |                             | 0Ω (<50mΩ)                               | -        |                      |
| CR-02 (0402) | 1/16W | Jumper: 1A                                      | -55 ~ +155°C             | 50V                          | 100V                        | 1Ω - 9.76Ω<br>10Ω - 1MΩ<br>1.02MΩ - 10MΩ |          | ±200<br>±100<br>±200 |
|              | -     |   |                          |                              |                             | 0Ω (<50mΩ)                               | -        |                      |
| CR-03 (0603) | 1/10W | Jumper: 1A                                      | -55 ~ +155°C             | 75V                          | 150V                        | 1Ω - 9.76Ω<br>10Ω - 1MΩ<br>1.02MΩ - 10MΩ |          | ±200<br>±100<br>±200 |
|              | -     |   |                          |                              |                             | 0Ω (<50mΩ)                               | -        |                      |
| CR-05 (0805) | 1/8W  | Jumper: 2A                                      | -55 ~ +155°C             | 150V                         | 300V                        | 1Ω - 9.76Ω<br>10Ω - 1MΩ<br>1.02MΩ - 10MΩ |          | ±200<br>±100<br>±200 |
|              | -     |   |                          |                              |                             | 0Ω (<50mΩ)                               | -        |                      |
| CR-06 (1206) | 1/4W  | Jumper: 2A                                      | -55 ~ +155°C             | 200V                         | 400V                        | 1Ω - 9.76Ω<br>10Ω - 1MΩ<br>1.02MΩ - 10MΩ |          | ±200<br>±100<br>±200 |
|              | -     |   |                          |                              |                             | 0Ω (<50mΩ)                               | -        |                      |
| CR-10 (1210) | 1/2W  | Jumper: 2.5A                                    | -55 ~ +155°C             | 200V                         | 400V                        | 1Ω - 9.76Ω<br>10Ω - 1MΩ<br>1.02MΩ - 10MΩ |          | ±200<br>±100<br>±200 |
|              | -     |   |                          |                              |                             | 0Ω (<50mΩ)                               | -        |                      |
| CR-0A (2010) | 3/4W  | Jumper: 3.5A                                    | -55 ~ +155°C             | 200V                         | 400V                        | 1Ω - 9.76Ω<br>10Ω - 1MΩ<br>1.02MΩ - 10MΩ |          | ±200<br>±100<br>±200 |
|              | -     |   |                          |                              |                             | 0Ω (<50mΩ)                               | -        |                      |
| CR-12 (2512) | 1W    | Jumper: 4A                                      | -55 ~ +155°C             | 250V                         | 500V                        | 1Ω - 9.76Ω<br>10Ω - 1MΩ<br>1.02MΩ - 10MΩ |          | ±200<br>±100<br>±200 |
|              | -     |   |                          |                              |                             | 0Ω (<50mΩ)                               | -        |                      |

**High Precision Electrical Specifications**

| Type         | Item  | Power Rating at 70°C | Operating<br>Temp. Range | Max.<br>Operating<br>Voltage | Max.<br>Overload<br>Voltage | Resistance Range<br>(E24、E96) | TCR<br>(PPM/°C) |
|--------------|-------|----------------------|--------------------------|------------------------------|-----------------------------|-------------------------------|-----------------|
|              |       |                      |                          |                              |                             | ±0.5%                         |                 |
| CR-02 (0402) | 1/16W | -55 ~ +155°C         |                          | 50V                          | 100V                        | 10Ω - 1MΩ                     | ±100            |
| CR-03 (0603) | 1/10W |                      |                          | 75V                          | 150V                        | 10Ω - 1MΩ                     | ±100            |
| CR-05 (0805) | 1/8W  |                      |                          | 150V                         | 300V                        | 10Ω - 1MΩ                     | ±100            |
| CR-06 (1206) | 1/4W  |                      |                          | 200V                         | 400V                        | 10Ω - 1MΩ                     | ±100            |
| CR-10 (1210) | 1/3W  |                      |                          | 200V                         | 400V                        | 10Ω - 1MΩ                     | ±100            |
| CR-0A (2010) | 3/4W  |                      |                          | 200V                         | 400V                        | 10Ω - 1MΩ                     | ±100            |
| CR-12 (2512) | 1W    |                      |                          | 250V                         | 500V                        | 10Ω - 1MΩ                     | ±100            |

**High Power Rating Electrical Specifications**

| Type \ Item  | Power Rating at 70°C | Operating Temp. Range | Max. Operating Voltage | Max. Overload Voltage | Resistance Range        |           | TCR (PPM/°C) |
|--------------|----------------------|-----------------------|------------------------|-----------------------|-------------------------|-----------|--------------|
|              |                      |                       |                        |                       | ±1% (E24 · E96)         | ±5% (E24) |              |
| CR-02 (0402) | 1/8W                 | -55 ~ +155°C          | 50V                    | 100V                  | 1Ω - 9.76Ω<br>10Ω - 1MΩ |           | ±200<br>±100 |
| CR-03 (0603) | 1/4W                 |                       | 75V                    | 150V                  |                         |           |              |
| CR-05 (0805) | 1/3W                 |                       | 150V                   | 300V                  |                         |           |              |
| CR-06 (1206) | 1/2W                 |                       | 200V                   | 400V                  |                         |           |              |
| CR-0A (2010) | 1W                   |                       | 200V                   | 400V                  |                         |           |              |
| CR-12 (2512) | 2W                   |                       | 250V                   | 500V                  |                         |           |              |

Operating Voltage= $\sqrt{P \cdot R}$  or Max. Operating Voltage listed above, whichever is lower.

Overload Voltage= $2.5 \cdot \sqrt{P \cdot R}$  or Max. Overload Voltage listed above, whichever is lower.

The power rating depends on the maximum temperature of the resistive element. Due to the power dissipation of the resistor, the temperature of the resistive element will rise depending on the condition of heat dissipation from PCB. The maximum power rating in application only applies if the temperature of the resistive element is not exceed 155 °C.

■ Viking is capable of manufacturing the optional spec based on customer's requirement.

**Environmental Characteristics**

| Item   | Requirement   |               |        | Test Method  |
|--|---------------|---------------|--------|--|
|  | ±1% and Below | ±5%           | Jumper |  |
| Temperature Coefficient of Resistance (T.C.R.) | As Spec.      |               |        | <b>JIS-C-5201-1 4.8</b><br><b>IEC-60115-1 4.8</b><br>At 25°C/-55°C and 25°C/+125°C, 25°C is the reference temperature                    |
| Short Time Overload                            | ±(1.0%+0.05Ω) | ±(2.0%+0.05Ω) | <50mΩ  | <b>JIS-C-5201-1 4.13</b><br><b>IEC-60115-1 4.13</b><br>RCWV*2.5 or Max. Overload Voltage whichever is lower for 5 seconds                |
| Insulation Resistance                          | ≥10G          |               |        | <b>JIS-C-5201-1 4.6</b><br><b>IEC-60115-1 4.6</b><br>Max. Overload Voltage for 1 minute  |
| Operational Life                               | ±(1.0%+0.10Ω) | ±(2.0%+0.10Ω) | <100mΩ | <b>MIL-STD-202 Method 108</b><br>Condition D Steady State TA=125°C at derated power.<br>Measurement at 24±4 hours after test conclusion. |
| Biased Humidity                                | ±(1.0%+0.10Ω) | ±(2.0%+0.10Ω) | <100mΩ | <b>MIL-STD-202 Method 103</b><br>1000 hrs 85°C/85%RH 10% of operating power  |
| High Temperature Exposure                      | ±(1.0%+0.05Ω) | ±(1.5%+0.10Ω) | <50mΩ  | <b>MIL-STD-202 Method 108</b><br>at +125/+155°C for 1000 hrs   |
| Board Flex                                     | ±(1.0%+0.05Ω) | ±(1.0%+0.05Ω) | <50mΩ  | <b>AEC-Q200-005</b><br>Bending once for 60 seconds<br>2010, 2512 sizes: 2mm Other sizes: 3mm   |

**Automotive Grade Chip Resistor**

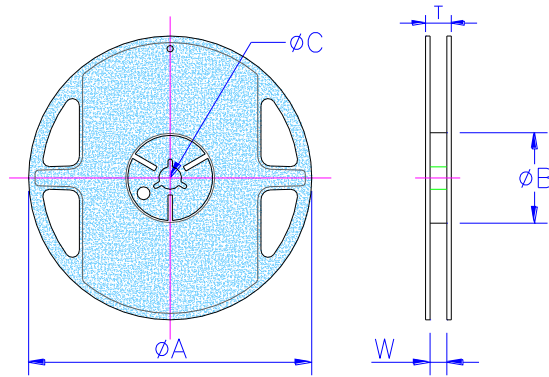
| Item                         | Requirement  |               |        | Test Method   |
|------------------------------|--|---------------|--------|---|
|                              | ±1% and Below  | ±5%           | Jumper |   |
| Solderability                | 95% min. coverage  |               |        | <b>JIS-C-5201-1 4.17</b><br><b>IEC-60115-1 4.17</b><br><b>J-STD-002</b><br>245±5°C for 3 seconds                                    |
| Resistance to Soldering Heat | ±(0.5%+0.05Ω)  | ±(1.0%+0.05Ω) | <50mΩ  | <b>MIL-STD-202 Method 210</b><br>260±5°C for 10 seconds   |
| Voltage Proof                | No breakdown or flashover  |               |        | <b>JIS-C-5201-1 4.7</b><br><b>IEC-60115-1 4.7</b><br>1.42 times Max. Operating Voltage for 1 minute                                 |
| Leaching                     | Individual leaching area ≤5%<br>Total leaching area ≤ 10%          |               |        | <b>JIS-C-5201-1 4.18</b><br><b>IEC-60068-2-58 8.2.1</b><br>260±5°C for 30 seconds   |
| Temperature Cycling          | ±(0.5%+0.05Ω)  | ±(1.5%+0.05Ω) | <50mΩ  | <b>JESD22 Method JA-104</b><br>-55°C to +125°C, 1000 cycles   |
| Mechanical Shock             | ±(0.25%+0.05Ω)   | ±(1.0%+0.05Ω) | <50mΩ  | <b>MIL-STD-202 Method 213</b><br>Wave Form: Tolerance for half sine shock pulse.<br>Peak value is 100g's. Normal duration (D) is 6. |
| Vibration                    | ±(0.5%+0.05Ω)  | ±(1.0%+0.05Ω) | <50mΩ  | <b>MIL-STD-202 Method 204</b><br>5 g's for 20 min., 12 cycles each of 3 orientations,<br>10-2000 Hz                                 |
| ESD                          | ±(3%+0.05Ω)  |               |        | <b>AEC-Q200-002</b><br>Human body model<br>0201: 0.5KV<br>0402/0603: 1KV<br>0805 and above: 2KV                                     |
| Resistance to Solvents       | No visible damage on appearance and marking.                       |               |        | <b>MIL-STD-202 Method 215</b><br>Add Aqueous wash chemical - OKEM Clean or equivalent. Do not use banned solvents.                  |
| Terminal Strength            | No broken  |               |        | <b>AEC-Q200-006</b><br>Force of 1.8kg for 60 seconds.   |
| Flammability                 | No ignition of the tissue paper or scorching or the pinewood board |               |        | <b>UL-94</b><br>V-0 or V-1 are acceptable. Electrical test not required.  |
| Sulfur Test                  | △R±1%  |               | <50mΩ  | <b>EIA-977 (Condition A)</b><br>60±2°C, no power rating for 480 hrs.  |

RCWV(Rated Continuous Working Voltage)= $\sqrt{P \cdot R}$  or Max. Operating Voltage whichever is lower.

■ **Storage Temperature: 15~28°C; Humidity < 80%RH**

**■ Packaging**

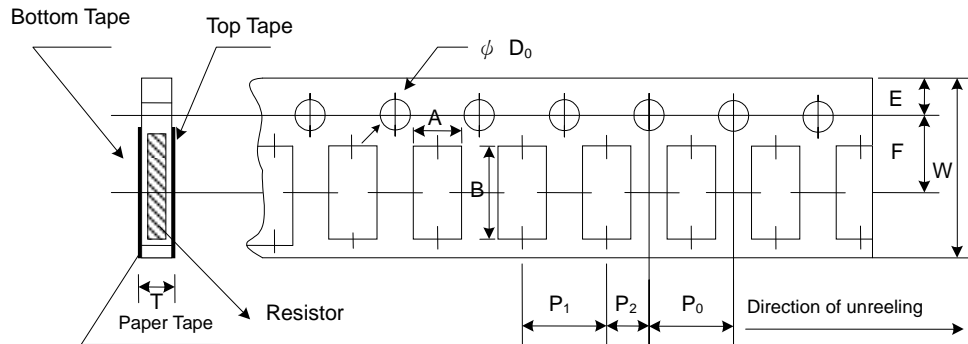
Reel Specifications & Packaging Quantity



| Type                             | Packaging Quantity | Tape Width | Reel Diameter | $\Phi A$ (mm) | $\Phi B$ (mm) | $\Phi C$ (mm)       | W (mm)   | T (mm)   |          |
|----------------------------------|--------------------|------------|---------------|---------------|---------------|---------------------|----------|----------|----------|
| CR-01<br>CR-02                   | Paper              | 10K        | 8mm           | 7 inch        | 178.5±1.5     | 60 <sup>+1/-0</sup> | 13.0±0.2 | 9.0±0.5  | 12.5±0.5 |
|                                  |                    | 20K        | 8mm           | 10 inch       | 254±1.0       | 100±0.5             | 13.0±0.2 | 9.5±0.5  | 13.5±0.5 |
|                                  |                    | 40K        | 8mm           | 13 inch       | 330±1.0       | 100±0.5             | 13.0±0.2 | 9.5±0.5  | 13.5±0.5 |
| CR-03<br>CR-05<br>CR-06<br>CR-10 | Paper              | 5K         | 8mm           | 7 inch        | 178.5±1.5     | 60 <sup>+1/-0</sup> | 13.0±0.2 | 9.0±0.5  | 12.5±0.5 |
|                                  |                    | 10K        | 8mm           | 10 inch       | 254±1.0       | 100±0.5             | 13.0±0.2 | 9.5±0.5  | 13.5±0.5 |
|                                  |                    | 20K        | 8mm           | 13 inch       | 330±1.0       | 100±0.5             | 13.0±0.2 | 9.5±0.5  | 13.5±0.5 |
| CR-0A<br>CR-12                   | Embossed           | 4K         | 12mm          | 7 inch        | 178.5±1.5     | 60 <sup>+1/-0</sup> | 13.0±0.5 | 13.0±0.5 | 15.5±0.5 |
|                                  |                    | 8K         | 12mm          | 10 inch       | 250±1.0       | 62±0.5              | 13.0±0.5 | 12.5±0.5 | 16.5±0.5 |

Pap

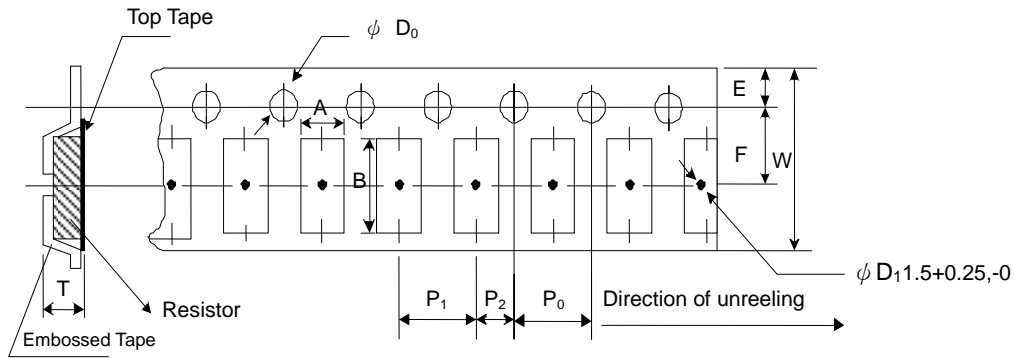
Reel Tape Specifications



| Type  | A (mm)    | B (mm)    | W (mm)   | E (mm)    | F (mm)    | P <sub>0</sub> (mm) | P <sub>1</sub> (mm) | P <sub>2</sub> (mm) | $\Phi D_0$ (mm) | T (mm)    |
|-------|-----------|-----------|----------|-----------|-----------|---------------------|---------------------|---------------------|-----------------|-----------|
| CR-01 | 0.38±0.05 | 0.68±0.05 | 8.0±0.20 | 1.75±0.10 | 3.50±0.05 | 4.00±0.10           | 2.00±0.05           | 2.00±0.05           | 1.50+0.1,-0     | 0.42±0.20 |
| CR-02 | 0.65±0.10 | 1.15±0.10 | 8.0±0.20 | 1.75±0.10 | 3.50±0.05 | 4.00±0.10           | 2.00±0.05           | 2.00±0.05           | 1.50+0.1,-0     | 0.45±0.10 |
| CR-03 | 1.10±0.10 | 1.90±0.10 | 8.0±0.20 | 1.75±0.10 | 3.50±0.05 | 4.00±0.10           | 4.00±0.05           | 2.00±0.05           | 1.50+0.1,-0     | 0.70±0.10 |
| CR-05 | 1.60±0.10 | 2.40±0.20 | 8.0±0.20 | 1.75±0.10 | 3.50±0.05 | 4.00±0.10           | 4.00±0.05           | 2.00±0.05           | 1.50+0.1,-0     | 0.85±0.10 |
| CR-06 | 1.90±0.10 | 3.50±0.20 | 8.0±0.20 | 1.75±0.10 | 3.50±0.05 | 4.00±0.10           | 4.00±0.05           | 2.00±0.05           | 1.50+0.1,-0     | 0.85±0.10 |
| CR-10 | 2.90±0.10 | 3.50±0.20 | 8.0±0.20 | 1.75±0.10 | 3.50±0.05 | 4.00±0.10           | 4.00±0.05           | 2.00±0.05           | 1.50+0.1,-0     | 0.85±0.10 |

**Automotive Grade Chip Resistor**

Embossed Plastic Tape Specifications



| Type  | A (mm)   | B (mm)   | W (mm)    | E (mm)    | F (mm)   | P <sub>0</sub> (mm) | P <sub>1</sub> (mm) | P <sub>2</sub> (mm) | ΦD <sub>0</sub> (mm) | T (mm)            |
|-------|----------|----------|-----------|-----------|----------|---------------------|---------------------|---------------------|----------------------|-------------------|
| CR-0A | 2.8±0.10 | 5.5±0.10 | 12.0±0.30 | 1.75±0.10 | 5.5±0.05 | 4.00±0.10           | 4.00±0.10           | 2.00±0.05           | 1.50+0.1, -0         | 1.2 <sup>+0</sup> |
| CR-12 | 3.5±0.10 | 6.7±0.10 | 12.0±0.30 | 1.75±0.10 | 5.5±0.05 | 4.00±0.10           | 4.00±0.10           | 2.00±0.05           | 1.50+0.1, -0         | 1.2 <sup>+0</sup> |

**■ Marking**

No Marking for 0201/0402

Jumper for all: Letter “0”

1% for 0805/1206/1210/2010/2512: 4 digits marking

Example:

|            |      |       |      |        |       |
|------------|------|-------|------|--------|-------|
| Resistance | 100Ω | 2.2KΩ | 10KΩ | 49.9KΩ | 100KΩ |
| Marking    | 1000 | 2201  | 1002 | 4992   | 1003  |

5% for 0603/0805/1206/1210/2010/2512: 3 digits marking in E24

Example: 101=100Ω 102=1KΩ (1<sup>st</sup> and 2<sup>nd</sup> are E24 code and 3<sup>rd</sup> code is multiplier)

| E24 code | 10 | 11 | 12 | 13 | 15 | 16 | 18 | 20 | 22 | 24 | 27 | 30 | 33 | 36 | 39 | 43 | 47 | 51 | 56 | 62 | 68 | 75 | 82 | 91 |
|----------|----|----|----|----|----|----|----|----|----|----|----|----|----|----|----|----|----|----|----|----|----|----|----|----|
|----------|----|----|----|----|----|----|----|----|----|----|----|----|----|----|----|----|----|----|----|----|----|----|----|----|

1% for 0603(E24): 3 digits marking in E24, When the E24 and E96 are the same resistance, this marking in E96

Example: 01A= 100Ω 05C=11KΩ 123=12KΩ 273=27KΩ

1% for 0603(E96): 3 digits marking in E96



3 digits marking for Example: 14C=13K7Ω 13C=13K3Ω  
68B=4K99Ω 68X=49.9Ω



**Marking Table**

| Code       | E96             | Code            | E96             | Code            | E96             | Code            | E96             |                  |                  |  |  |
|------------|-----------------|-----------------|-----------------|-----------------|-----------------|-----------------|-----------------|------------------|------------------|--|--|
| 01         | 100             | 25              | 178             | 49              | 316             | 73              | 562             |                  |                  |  |  |
| 02         | 102             | 26              | 182             | 50              | 324             | 74              | 576             |                  |                  |  |  |
| 03         | 105             | 27              | 187             | 51              | 332             | 75              | 590             |                  |                  |  |  |
| 04         | 107             | 28              | 191             | 52              | 340             | 76              | 604             |                  |                  |  |  |
| 05         | 110             | 29              | 196             | 53              | 348             | 77              | 619             |                  |                  |  |  |
| 06         | 113             | 30              | 200             | 54              | 357             | 78              | 634             |                  |                  |  |  |
| 07         | 115             | 31              | 205             | 55              | 365             | 79              | 649             |                  |                  |  |  |
| 08         | 118             | 32              | 210             | 56              | 374             | 80              | 665             |                  |                  |  |  |
| 09         | 121             | 33              | 215             | 57              | 383             | 81              | 681             |                  |                  |  |  |
| 10         | 124             | 34              | 221             | 58              | 392             | 82              | 698             |                  |                  |  |  |
| 11         | 127             | 35              | 226             | 59              | 402             | 83              | 715             |                  |                  |  |  |
| 12         | 130             | 36              | 232             | 60              | 412             | 84              | 732             |                  |                  |  |  |
| 13         | 133             | 37              | 237             | 61              | 422             | 85              | 750             |                  |                  |  |  |
| 14         | 137             | 38              | 243             | 62              | 432             | 86              | 768             |                  |                  |  |  |
| 15         | 140             | 39              | 249             | 63              | 442             | 87              | 787             |                  |                  |  |  |
| 16         | 143             | 40              | 255             | 64              | 453             | 88              | 806             |                  |                  |  |  |
| 17         | 147             | 41              | 261             | 65              | 464             | 89              | 825             |                  |                  |  |  |
| 18         | 150             | 42              | 267             | 66              | 475             | 90              | 845             |                  |                  |  |  |
| 19         | 154             | 43              | 274             | 67              | 487             | 91              | 866             |                  |                  |  |  |
| 20         | 158             | 44              | 280             | 68              | 499             | 92              | 887             |                  |                  |  |  |
| 21         | 162             | 45              | 287             | 69              | 511             | 93              | 909             |                  |                  |  |  |
| 22         | 165             | 46              | 294             | 70              | 523             | 94              | 931             |                  |                  |  |  |
| 23         | 169             | 47              | 301             | 71              | 536             | 95              | 953             |                  |                  |  |  |
| 24         | 174             | 48              | 309             | 72              | 549             | 96              | 976             |                  |                  |  |  |
| Code       | A               | B               | C               | D               | E               | F               | G               | X                | Y                |  |  |
| Multiplier | 10 <sup>0</sup> | 10 <sup>1</sup> | 10 <sup>2</sup> | 10 <sup>3</sup> | 10 <sup>4</sup> | 10 <sup>5</sup> | 10 <sup>6</sup> | 10 <sup>-1</sup> | 10 <sup>-2</sup> |  |  |

**REVISION HISTORY**

| <b>REVISION</b> | <b>DATE</b>  | <b>CHANGE NOTIFICATION</b> | <b>DESCRIPTION</b>   |
|-----------------|--------------|----------------------------|--|
| Version A5      | Apr 30, 2015 | -                          | - Environmental Characteristics updated  |
| Version A6      | Jun 18, 2015 | -                          | - Increased 0603(E24) 1% marking description   |
| Version A7      | Jul 15, 2016 | -                          | - Remove Material Description<br>- Size CR-01 specifications added<br>- Modify Storage Temperature<br>- Increased 0.5% Resistance Range<br>- Increased High Power Rating Electrical Specifications |
| Version A8      | Jan 12, 2018 | -                          | - Environmental Characteristics updated<br>- Modify Electrical Specifications (0R)<br>- Modify 2512 Land Pattern   |
| Version A9      | May 20, 2019 | -                          | - Modify TCR Test description<br>- Features added 100% CCD inspection<br>- Added Sulfur Test   |
| Version B       | Jun 1, 2019  | -                          | - Modify ESD Test description & Spec.  |
| Version B1      | Oct 21, 2019 | -                          | - increase 2512 2W Specifications<br>- increase Special standard packaging specifications (disc 10" & 13")   |

## X-ON Electronics

Largest Supplier of Electrical and Electronic Components

*Click to view similar products for [Thick Film Resistors - SMD category](#):*

*Click to view products by [Viking manufacturer](#):*

Other Similar products are found below :

[CRCW04028R20JNEE](#) [CRCW06036K80FKEE](#) [CRG1206F1K58](#) [CRL0603-FW-R700ELF](#) [M55342K06B6E19RWL](#) [RC1005F1072CS](#)  
[RC1005F471CS](#) [RC1005F4751CS](#) [RCP0603W100RGED](#) [RCWP72251K47FKWB](#) [RLR05C7501GPB14](#) [RLR07C5111FSBSL](#) [ERJ-](#)  
[1GMF1R00C](#) [ERJ-1GMF1R20C](#) [ERJ-1GMF2R55C](#) [ERJ-1GMF8R66C](#) [25121WF1003T4E](#) [25.501.3653.0](#) [290-1.0M-RC](#) [292-1.0M-RC](#) [292-](#)  
[2.2K-RC](#) [292-4.7K-RC](#) [25121WF4700T4E](#) [292-470K-RC](#) [302-1.0M-RC](#) [CPG1206F10KC](#) [CRCW02011R00FXED](#) [CRCW060315K0FKEE](#)  
[CRCW060320K5FKEE](#) [CRG0201F10K](#) [RCG0402150RFKED](#) [RCG04023K92FKED](#) [RCP2512B100RGWB](#) [RCWP110010R0FKS3](#)  
[RCWP11002K00FKS3](#) [RCWP12061K00FKS2](#) [3520510RJT](#) [352075KJT](#) [M55342K11B9E53RUL](#) [RMC16-102JT](#) [RMC1JPTE](#) [TR0603MR-](#)  
[075K1L](#) [5-2176094-4](#) [35202K7JT](#) [WF06Q1000FTL](#) [ERJ-S03J1R0V](#) [ERJ-S14J4R7U](#) [CHP2512L4R30GNT](#) [CPCC10270R0JE32](#)  
[RCWP11001K00FKS3](#)