

Ultra Low Ohm (Metal Strip) Chip Resistor



■Features

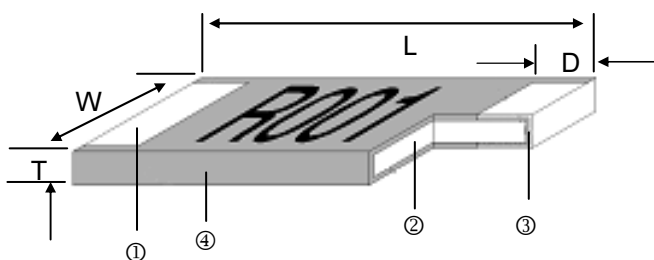
- High power rating up to 3 Watts
- Low TCR down to ± 50 PPM/ $^{\circ}$ C
- Resistance values from 0.5m to 15m ohm
- Customized resistance available
- Wide range package sizes 1206 / 2010 / 2512
- AEC-Q200 Compliance (only LR12 Black)

■Applications

- NB (for Power Management)
- MB (for Power Management)
- SWPS (DC-DC Converter, Charger, Adaptor)
- Monitor (for Power Management)

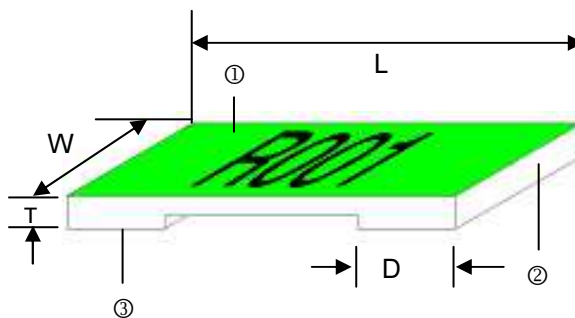
■Construction & Dimension

2512



Black – Wave or IR reflow soldering

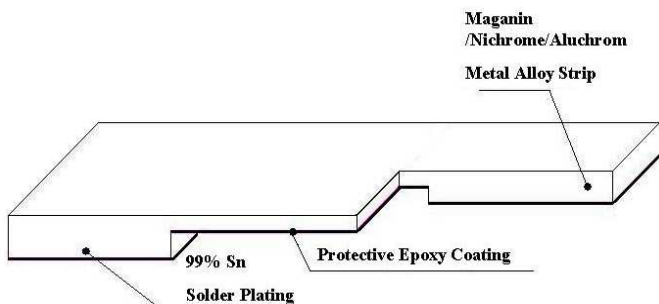
① Solder Plating	③ Barrier Layer
② Alloy Plate	④ Overcoat



Green – IR reflow soldering only

① Overcoat	③ Solder Plating
② Alloy Plate	

1206 & 2010



Type	Material
0M50~ R003	Manganese, Copper
3M5 ~ R010	Aluminum, Iron, Chromium

■ Dimensions

Unit: mm

Part No.	Resistance (mΩ)	L	W	T	D	Weight (g) (1000pcs)
LR06□TF0M50	0.5	3.20±0.25	1.60±0.10	0.60±0.20	1.35±0.25	22.6
LR06□TD0M75	0.75	3.20±0.25	1.60±0.10	0.60±0.20	1.23±0.25	22.6
LR06□T□□□□□	1.0, 3.5, 4.0, 5.0, 6.0	3.20±0.25	1.60±0.10	0.60±0.20	1.10±0.25	22.6
LR06□T□□□□□	2.0, 3.0, 10	3.20±0.25	1.60±0.10	0.60±0.20	0.60±0.25	22.6
LR06□T□□□□□	1.2, 1.5, 7.0, 8.0, 9.0	3.20±0.25	1.60±0.10	0.60±0.20	0.90±0.25	22.6
LR10□TEA0M50	0.5	5.08±0.25	2.54±0.15	0.60±0.20	2.17±0.25	42.3
LR10□TDA0M75	0.75	5.08±0.25	2.54±0.15	0.60±0.20	2.04±0.25	42.3
LR10□TDA□□□□	1.0, 1.5	5.08±0.25	2.54±0.15	0.60±0.20	1.84±0.25	42.3
LR10□TDA□□□□	2.0, 6.0, 7.0, 8.0	5.08±0.25	2.54±0.15	0.60±0.20	1.54±0.25	42.3
LR10□TDA□□□□	3.0, 3.5	5.08±0.25	2.54±0.15	0.60±0.20	1.04±0.25	42.3
LR10□TDA□□□□	4.0, 5.0, 5.5	5.08±0.25	2.54±0.15	0.60±0.20	1.84±0.25	42.3
LR10□TDA□□□□	9.0, 10	5.08±0.25	2.54±0.15	0.60±0.20	1.29±0.25	42.3
LR12□T□□0M50G	0.50	6.35±0.25	3.00±0.20	0.60±0.20	2.68±0.25	59.13
LR12□T□□0M75G	0.75	6.35±0.25	3.00±0.20	0.60±0.20	2.48±0.25	59.13
LR12□T□□□□□□G	1.0, 5.0, 6.0	6.35±0.25	3.00±0.20	0.60±0.20	1.93±0.25	59.13
LR12□T□□□□□□G	1.5, 6.5, 7.0, 7.5	6.35±0.25	3.00±0.20	0.60±0.20	1.43±0.25	59.13
LR12□T□□□□□□G	2.0, 2.5, 3.0, 3.5	6.35±0.25	3.00±0.20	0.60±0.20	1.18±0.25	59.13
LR12□T□□□□□□G	4.0, 4.5	6.35±0.25	3.00±0.20	0.60±0.20	2.18±0.25	59.13
LR12□T□□□□□□G	5.0, 6.0	6.35±0.25	3.00±0.20	0.60±0.20	1.93±0.25	59.13
LR12□T□□□□□□G	8.0 - 10	6.35±0.25	3.00±0.20	0.60±0.20	1.18±0.25	59.13
LR12□T□□□□□□G	11 - 15	6.35±0.25	3.00±0.20	0.60±0.20	1.18±0.25	59.13
LR12□T□0M50	0.50	6.35±0.254	3.18±0.254	1.25±0.20	1.30±0.38	184.11
LR12□T□0M75	0.75	6.35±0.254	3.18±0.254	0.75±0.20	1.30±0.38	131.11
LR12□T□R001	1.00	6.35±0.254	3.18±0.254	0.65±0.20	1.30±0.38	110.85
LR12□T□1M50	1.50	6.35±0.254	3.18±0.254	0.45±0.20	1.30±0.38	67.16
LR12□T□R002	2.00	6.35±0.254	3.18±0.254	0.35±0.20	1.30±0.38	49.30
LR12□T□2M50	2.50	6.35±0.254	3.18±0.254	0.65±0.20	1.30±0.38	97.95
LR12□T□R003	3.00	6.35±0.254	3.18±0.254	0.55±0.20	1.30±0.38	83.49
LR12□T□R004	4.00	6.35±0.254	3.18±0.254	0.45±0.20	1.30±0.38	62.59
LR12□T□R005	5.00	6.35±0.254	3.18±0.254	0.35±0.20	1.30±0.38	49.84
LR12□T□R006	6.00	6.35±0.254	3.18±0.254	0.32±0.20	1.30±0.38	41.76
LR12□T□6M50	6.50	6.35±0.254	3.18±0.254	0.30±0.20	1.30±0.38	35.85
LR12□T□R007	7.00	6.35±0.254	3.18±0.254	0.27±0.20	1.30±0.38	34.01
LR12□T□R010	10.00	6.35±0.254	3.18±0.254	0.25±0.20	1.30±0.38	25.97

■ Part Numbering

LR	12	J	T	E	S	R002	G
Product Type	Dimensions (L×W)	Resistance Tolerance	Packaging Code	TCR (PPM/°C)	Power Rating	Resistance	Marking
	06: 1206 10: 2010 12: 2512	F: ±1% H: ±3% J: ±5%	T: Taping Reel	D: ±50 E: ±100 W: ±75 F: ±200 K: ±150	: Standard A: 1.5W B: 2.5W R: 3W S: 2W	R002: 0.002Ω R010: 0.01Ω 0M50: 0.0005Ω 1M50: 0.0015Ω	: Black Coating G: Green Coating **2010/1206 No coating / marking

Standard Electrical Specifications

Item Part No.	Power Rating at 70°C	Operating Temp. Range	Resistance Range (mΩ)			TCR (PPM/°C)
			±1%	±3%	±5%	
LR06□TF0M50	1W	-55°C ~ +170°C	0.5			±200
LR06□TD□□□□	1W		0.75 - 10			±50
LR12□TD□□□□	1W		0.5, 0.75, 1, 1.5, 2			±50
LR12□TW□□□□	1W		6, 6.5, 7			±75
LR12□TE□□□□	1W		4, 5, 10			±100
LR12□TK□□□□	1W		2.5, 3			±150
LR12□TD□□□□G	1W		11, 12, 13, 14, 15			±50

High Power Rating Electrical Specifications

Item Part No.	Power Rating at 70°C	Operating Temp. Range	Resistance Range (mΩ)			TCR (PPM/°C)
			±1%	±3%	±5%	
LR10□TEA0M50	1.5W	-55°C ~ +170°C	0.5			±100
LR10□TDA□□□□	1.5W		0.75 - 10			±50
LR12□TDS□□□□	2W		0.5, 0.75, 1, 1.5, 2			±50
LR12□TWS□□□□	2W		6, 6.5, 7			±75
LR12□TES□□□□	2W		4, 5, 10			±100
LR12□TKS□□□□	2W		2.5, 3			±150
LR12□TDS□□□□G	2W		6.5, 7, 8, 9, 10			±50
LR12□TDB□□□□G	2.5W		4, 4.5, 5, 6			±50
LR12□TDR□□□□G	3W		1, 1.5, 2, 2.5, 3, 3.5			±50
LR12□TER□□□□G	3W		0.5, 0.75			±100

Operating Current = $\sqrt{P/R}$, Operating Voltage = $\sqrt{P \cdot R}$

■ Viking has the ability of manufacture following options based on customer's requirement.

Resistance codes example

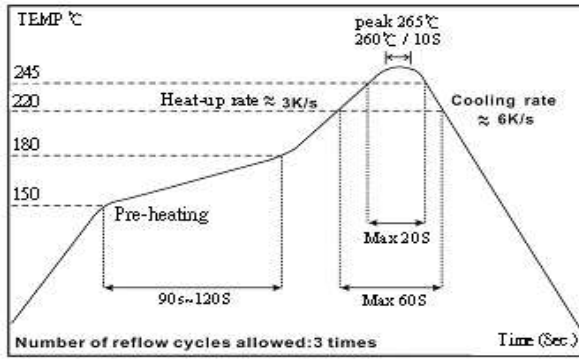
Resistance (3Marking)

Resistance	0.5mΩ	0.75mΩ
Codes	M50	M75

Resistance (4Marking)

Resistance	1mΩ	2mΩ	7mΩ	10mΩ
Codes	R001	R002	R007	R010

Reflow



- Green coating "Reflow Air Convection" is available
- Green coating can't be working with wave soldering bath

Environmental Characteristics

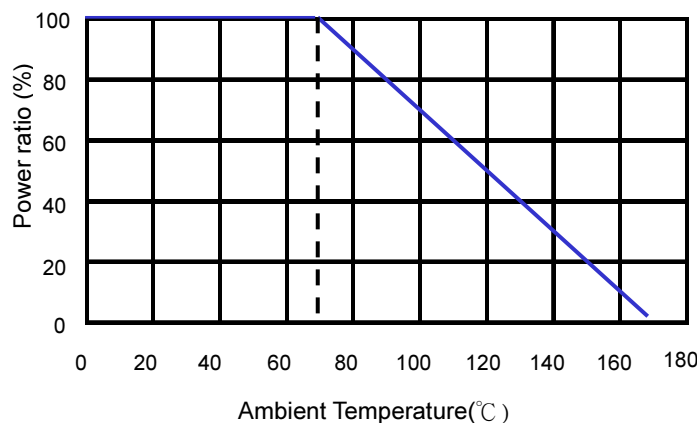
Item	Requirement		Test Method
	Black coating	Green coating	
Temperature Coefficient of Resistance (T.C.R.)	As Spec.		MIL-STD-202 Method 304 +25/-55/+25/+125/+25°C
Short Time Overload	±0.5%	±1%	JIS-C-5201-1 5.5 5*rated power for 5 seconds
Endurance	±1%	±1%	MIL-STD-202 Method 108A 70±2°C, RCWV for 1000 hrs with 1.5 hrs "ON" and 0.5 hr "OFF"
Dry Heat	±1%	±1%	JIS-C-5201-1 7.2 at +170°C for 1000 hrs
Solderability	95% min. coverage		MIL-STD-202 Method 208H 245±5°C for 3 seconds
Resistance to Soldering Heat	±0.5%	±1%	MIL-STD-202 Method 210E 260±5°C for 10 seconds
Thermal Shock	±0.5%	±1%	MIL-STD-202 Method 107G -55°C ~ 150°C, 100 cycles

**Green coating can't be work with wave soldering bath.

RCWV(Rated Continuous Working Voltage)= $\sqrt{P \cdot R}$ or Max. Operating Voltage whichever is lower

■ Storage Temperature: 15~28°C; Humidity < 80%RH

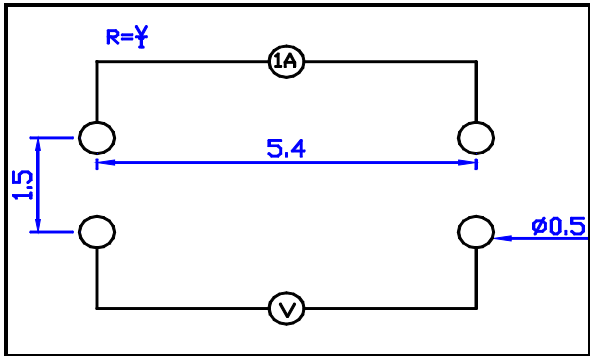
Derating Curve



■ **Measurements**

1. LR12 4-wire precision measurement (Black Coating)

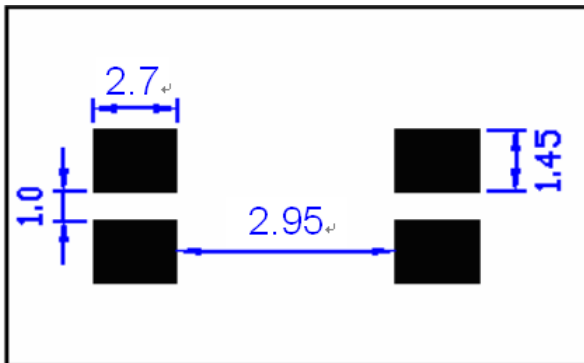
- Equipment: ADEX AX-1152D DC Low Ohm Meter
- Excitation Current: 3A (0.5mΩ~1.5 mΩ)
1A (2mΩ~10mΩ)



Unit: mm

2. LR12 4-wire pad layout (recommended for precision current sensing)

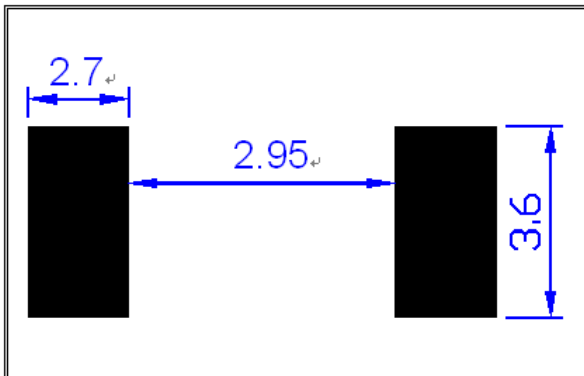
- Note: No circuits between pads to avoid short circuit



Unit: mm

3. LR12 2-wire pad layout

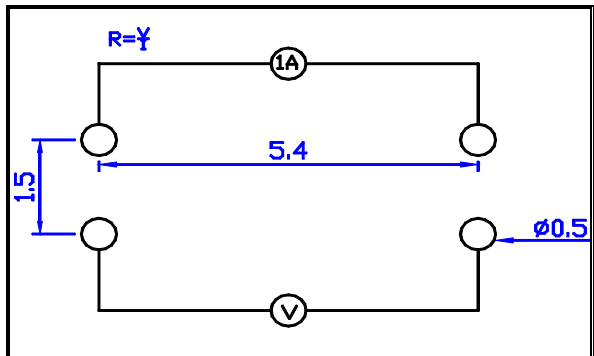
- Note: No circuits between pads to avoid short circuit



Unit: mm

4. LR12 4-wire precision measurement (Green Coating)

- Equipment: ADEX AX-1152D DC Low Ohm Meter
- Excitation Current: 3A (0.5mΩ~1.5 mΩ)
1A (2mΩ~15mΩ)

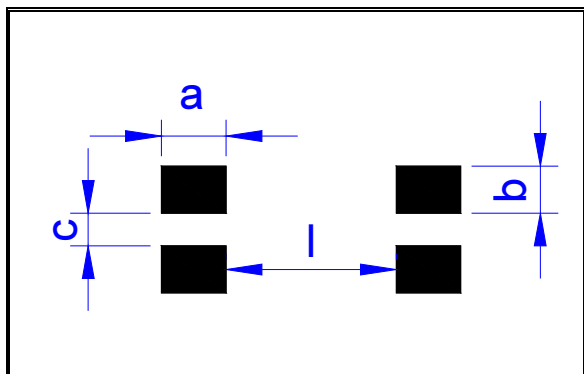


Unit: mm

5. LR12 4-wire pad layout (recommended for precision current sensing)

- Note: No circuits between pads to avoid short circuit

Unit: mm

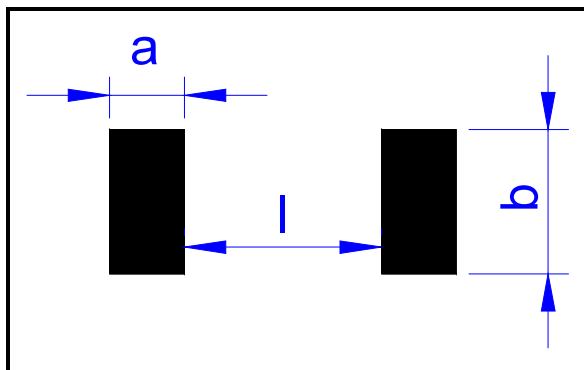


Item Type	a m/m	b m/m	c m/m	l m/m
0M50	3.13	1.2	1.0	0.52
0M75	2.93	1.2	1.0	0.94
R001	2.38	1.2	1.0	2.04
1M5	1.88	1.2	1.0	3.04
R002~3M5	1.63	1.2	1.0	3.54
R004~4M5	2.63	1.2	1.0	1.54
R005~R006	2.38	1.2	1.0	2.04
6M5~R007	1.88	1.2	1.0	3.04
R008~R015	1.63	1.2	1.0	3.54

6. LR12 2-wire pad layout

- Note: No circuits between pads to avoid short circuit

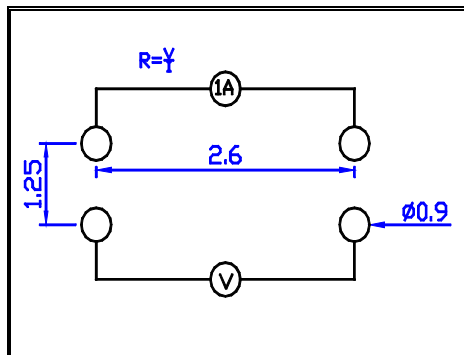
Unit: mm



Item Type	a m/m	b m/m	l m/m
0M50	3.13	3.4	0.52
0M75	2.93	3.4	0.94
R001	2.38	3.4	2.04
1M5	1.88	3.4	3.04
R002~3M5	1.63	3.4	3.54
R004~4M5	2.63	3.4	1.54
R005~R006	2.38	3.4	2.04
6M5~R007	1.88	3.4	3.04
R008~R015	1.63	3.4	3.54

7. LR06 4-wire precision measurement

- Equipment: ADEX AX-1152D DC Low Ohm Meter
- Excitation Current: 1A (0.5mΩ~10mΩ)

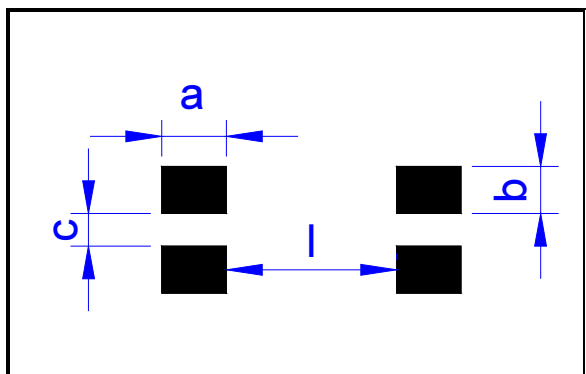


Unit: mm

8. LR06 4-wire pad layout (recommended for precision current sensing)

- Note: No circuits between pads to avoid short circuit

Unit: mm

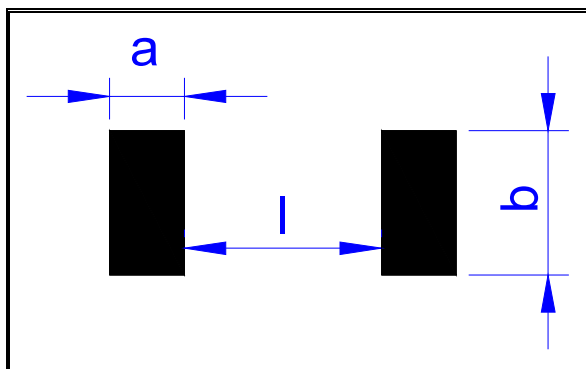


Item Type	a m/m	b m/m	c m/m	l m/m
0M50	1.80	0.7	0.5	0.55
0M75	1.68	0.7	0.5	0.55
R001	1.55	0.7	0.5	0.55
1M2	1.35	0.7	0.5	0.95
1M5	1.35	0.7	0.5	1.55
R002~R003	1.05	0.7	0.5	1.55
3M5~R006	1.55	0.7	0.5	0.55
R007~R009	1.35	0.7	0.5	0.95
R010	1.05	0.7	0.5	1.55

9. LR06 2-wire pad layout

- Note: No circuits between pads to avoid short circuit

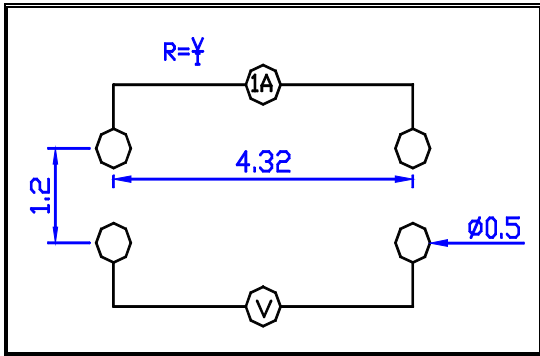
Unit: mm



Item Type	a m/m	b m/m	l m/m
0M50	1.80	1.90	0.55
0M75	1.68	1.90	0.55
R001	1.55	1.89	0.55
1M2	1.35	1.90	0.95
1M5	1.35	1.89	1.55
R002~R003	1.05	1.89	1.55
3M5~R006	1.55	1.89	0.55
R007~R009	1.35	1.89	0.95
R010	1.05	1.89	1.55

10. LR10 4-wire precision measurement

- Equipment: ADEX AX-1152D DC Low Ohm Meter
- Excitation Current: 1A (0.5mΩ~10mΩ)

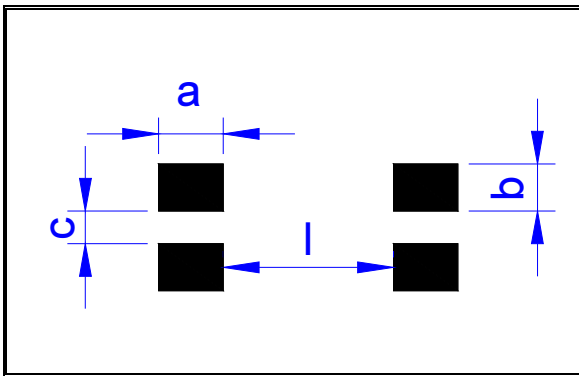


Unit: mm

11. LR10 4-wire pad layout (recommended for precision current sensing)

- Note: No circuits between pads to avoid short circuit

Unit: mm

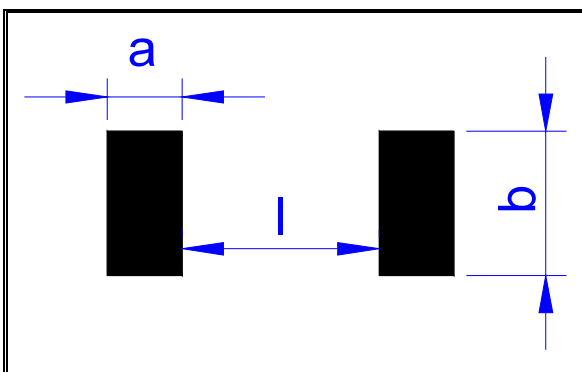


Item Type	a m/m	b m/m	C m/m	l m/m
0M50	2.61	1.045	0.8	0.60
0M75	2.49	1.045	0.8	0.80
R001~1M5	2.29	1.045	0.8	0.95
R002	1.99	1.045	0.8	1.55
R003~3M5	1.49	1.045	0.8	2.55
R004~5M5	2.29	1.045	0.8	0.95
R006~R008	1.99	1.045	0.8	1.55
R009~R010	1.74	1.045	0.8	2.05

12. LR10 2-wire pad layout

- Note: No circuits between pads to avoid short circuit

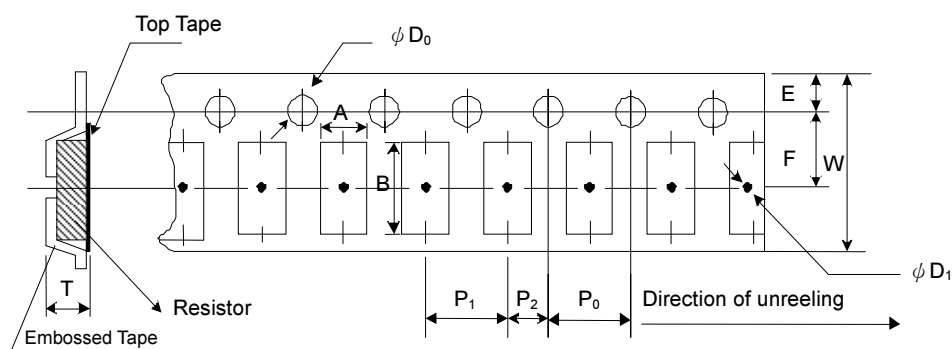
Unit: mm



Item Type	a m/m	b m/m	l m/m
0M50	2.61	2.89	0.60
0M75	2.49	2.89	0.80
R001~1M5	2.29	2.89	0.95
R002	1.99	2.89	1.55
R003~3M5	1.49	2.89	2.55
R004~5M5	2.29	2.89	0.95
R006~R008	1.99	2.89	1.55
R009~R010	1.74	2.89	2.05

■ Packaging

Embossed Plastic Tape Specifications



Unit: mm

Type	Resistance (mΩ)	A	B	W	E	F	P ₀	P ₁	P ₂	ΦD ₀	ΦD ₁	T	Quantity (EA)
LR06	0.5 - 10	1.90±0.1	3.60±0.1	8.0±0.2	1.75±0.1	3.5±0.05	4.0±0.1	4.0±0.1	2.0±0.05	1.55±0.05	1.0min.	0.87±0.1	2,000
LR10	0.5 - 10	2.85±0.1	5.55±0.1	12.0±0.2	1.75±0.1	5.5±0.05	4.0±0.1	4.0±0.1	2.0±0.05	1.55±0.05	1.4min.	0.85±0.1	2,000
LR12	0.50 - 0.75	3.40±0.1	6.75±0.1	12.0±0.1	1.75±0.1	5.5±0.05	4.0±0.1	4.0±0.1	2.0±0.05	1.55±0.05	1.4min.	1.45±0.2	2,000
	1 - 10											0.81±0.1	
LR12 (G)	0.50 - 15	3.40±0.1	6.75±0.1	12.0±0.1	1.75±0.1	5.5±0.05	4.0±0.1	4.0±0.1	2.0±0.05	1.55±0.05	1.4min.	0.81±0.1	2,000

1. The cumulative tolerance of 10 sprockets hole pitch is ± 0.2 mm.
2. Carrier camber shall be not more than 1mm per 100mm through a length of 250mm.
3. A & B measured 0.3mm from the bottom of the packet
4. T measured at a point on the inside bottom of the packet to the top surface of the carrier.
5. Pocket position relative to sprocket hole is measured as the true position of the pocket and not the pocket hole.

X-ON Electronics

Largest Supplier of Electrical and Electronic Components

Click to view similar products for [Current Sense Resistors - SMD category](#):

Click to view products by [Viking manufacturer](#):

Other Similar products are found below :

[CRL0603-FW-R700ELF](#) [PFS35-200RF1](#) [NPS 2-T126 5.000 OHM 1%](#) [PFS35-0R01J1](#) [PFS35-0R05J1](#) [PFS35-5RF1](#) [CD2015FC-0.10-1%](#)
[PR2512FKF7W0R004L](#) [RC1005F124CS](#) [RL73K3AR56JTDF](#) [RL7520WT-R001-F](#) [RL7520WT-R009-G](#) [RL7520WT-R020-F](#) [LRC-](#)
[LR2512LF-01-R820J](#) [WR06X104JGLJ](#) [TL2BR01F](#) [65709-330](#) [SP1R12J](#) [RL7520WT-R039-G](#) [RL7520WT-R002-F](#) [LRF2010-R003JW](#)
[KRL1632E-C-R200-F-T5](#) [KRL1632E-C-R200-F-T1](#) [RLP73M1ER051FTDF](#) [RLP73M2AR075FTDF](#) [RLP73M1JR051FTDF](#)
[SR731ERTTP5R10F](#) [SR731ERTTP100J](#) [SR731ERTTP6R80F](#) [SR731ERTTP4R70F](#) [SR731ERTTP2R20F](#) [SR731ERTTP3R90F](#)
[SR731ERTTP1R00F](#) [SR731ERTTP10R0F](#) [SR731ERTTP2R00F](#) [SR731ERTTP8R20F](#) [SR731ERTTP3R9J](#) [SR731ERTTP8R2J](#)
[SR731ERTTP2R0J](#) [SR731ERTTP4R7J](#) [SR731ERTTP9R1J](#) [SR731ERTTP1R0J](#) [SR731ERTTP2R2J](#) [SR731ERTTP5R1J](#) [SR731ERTTP6R8J](#)
[SR731ERTTP9R10F](#) [FCSL64R007JER](#) [LRF1206-R018FW](#) [TLR2B10DR022FTDG](#) [TLR2H10DR01FTDG](#)