

Products / Drivers / Accessories / Ceiling Speakers

DL 8 - 8 Ohm (RAL 9005)

Art. No. 50178



[Enlarge image](#)

8 cm (3.3") ceiling-mounted speaker with black metal cover (RAL 9005). Suitable for use in all types of hollow ceilings. Easy fitting in round cut-out using spring arms, electrical connection by spring-loaded terminal clips. A compact solution for home and professional use with good sound qualities.

DL 8 can be supplied painted in other RAL colours on request.

Speaker cabinet systems for concrete ceilings are available from KAISER, 58579 Schalksmühle, Germany. The KompaX cabinet series is suitable for our ceiling speakers. Some additional front parts maybe necessary (front rings, mineral fibreboard etc.). More details are available on the Homepage of KAISER (Housing for lamps and loudspeakers). In order to get more detailed information, press the "Technical information" button of the particular product. Fire protection housing systems (F30) are also available (FlamoX).

*) IP protection class for front side when built into a sealed enclosure

Typical applications

- For fitting in hollow ceilings, for music and speech in shops, at home, hotels etc.

Attributes

- Moisture-resistant membrane
- UV-resistant
- Metal basket, non-corrodible
- Functionally at low temperature according to EN 60068-2-1 (-40 °C; 96 h)
- Up to the standards of the Germanischer Lloyd (requirements for electrical equipment/low temperature)
- Ball-resistant

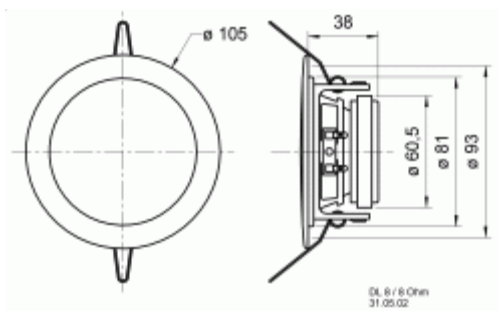
Technical Data

Rated power	10 W
Maximum power	30 W
Nominal impedance Z	8 Ohm
Frequency response	90 - 18000 Hz
Mean sound pressure level	84 dB (1 W/ 1 m)
Opening angle (-6 dB)	112°/4000 Hz
Resonance frequency f_s	190 Hz
Magnetic induction	0.7 T
Magnetic flux	130 μ Wb
Height of front pole-plate	3 mm
Voice coil diameter	20 mm
Height of winding	4 mm

Cutout diameter	93 mm
Net weight	0.33 kg
D.C. resistance Rdc	6.7 Ohm
Mechanical Q factor Qms	2.72
Electrical Q factor Qes	1.43
Total Q factor Qts	0.94
Effective piston area Sd	31 cm ²
Inductance of the voice coil L	0.48 mH
Sound pressure level	90 dB (1 W/1 m)@ 6100 Hz
Colour	RAL 9010
Length of cable	0.1 m
Protective system	IP 54 *)
Temperature range	-40 ... 110 °C

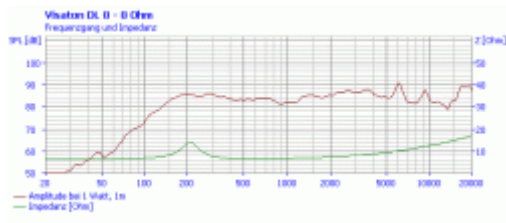
Hide data

Sketch



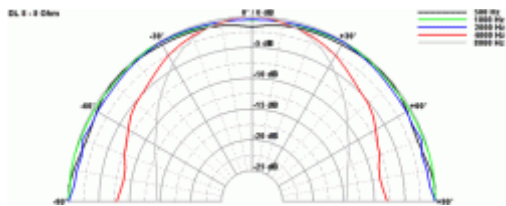
Enlarge image

Frequency- and impedance response

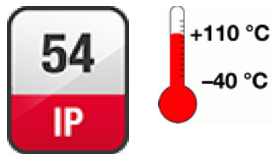


[Enlarge image](#)

Directivity pattern



[Enlarge image](#)



Any questions?

At a glance



X-ON Electronics

Largest Supplier of Electrical and Electronic Components

Click to view similar products for [Speakers & Transducers](#) category:

Click to view products by [Visaton](#) manufacturer:

Other Similar products are found below :

[FC-30814-P127](#) [AS02832MR-2-R](#) [PB-1220PE](#) [PB-2015PQ](#) [900-00001](#) [AB2025B-LW50-R](#) [SWFK-31736-000](#) [PT-2065FW](#) [PT-4175W](#) [AT-2830-TW-LW35-R](#) [ED-30761-000](#) [CI-30120-A42](#) [SMT-0440-T-2-R](#) [PB-0927PQ](#) [BF-7083-000](#) [SMS2020-08H4.5 LF](#) [BDT1717-08H6.5W56MLF](#) [GSPK1003PN-8R0.2W-L100](#) [GSPK151103TN-8R0.2W](#) [GSPK2014035PN-8R0.5W-L100](#) [FS5353DS0830-H19.3](#) [TE082703-8](#) [XMLP040BD21F](#) [AS03608MR-LW100-R](#) [24520](#) [SMT-0540-S-2-R](#) [1450069](#) [9091653](#) [9091661](#) [IPS-G6000-5](#) [9090231](#) [FS4014-4-2W](#) [PBM4-13.B29R.A115.0663](#) [PBM4-13.B31R.A115.0663](#) [PBM4-13.B33R.A115.0663](#) [PBM4-13.B35R.A115.0663](#) [A-10-6-BG360-HD1Z-GA-M4Z-ZW](#) [A-10-6-BG410-HD1Z-AA-AGZ-ZW](#) [A-10-6-BG410-HD1Z-AA-M4Z-ZW](#) [A-10-6-BG410-HD1Z-FC-AGZ-ZW](#) [A-10-6-BG410-HD1Z-GA-M4Z-ZW](#) [A-10-6-BG310-HD1Z-AA-AGZ-ZW](#) [A-10-6-BG310-HD1Z-AA-M4Z-ZW](#) [A-10-6-BG310-HD1Z-GA-M4Z-ZW](#) [A-10-6-BG316-HD1Z-AA-AGZ-ZW](#) [A-10-6-BG316-HD1Z-AA-M4Z-ZW](#) [A-10-6-BG325-HD1Z-AA-AGZ-ZW](#) [A-10-6-BG325-HD1Z-AA-M4Z-ZW](#) [A-10-6-BG340-HD1Z-AA-AGZ-ZW](#) [A-10-6-BG340-HD1Z-AA-M4Z-ZW](#)