

## FR 10 HM

Art. No. 4898 – 4 Ω

Art. No. 4899 – 8 Ω

**10 cm (4") Breitbandlautsprecher** mit Hochtוןkegel und Euro-Normkorb. Einfache Montage in Fahrzeugen mit Einbauorten für 10-cm-Lautsprecher.

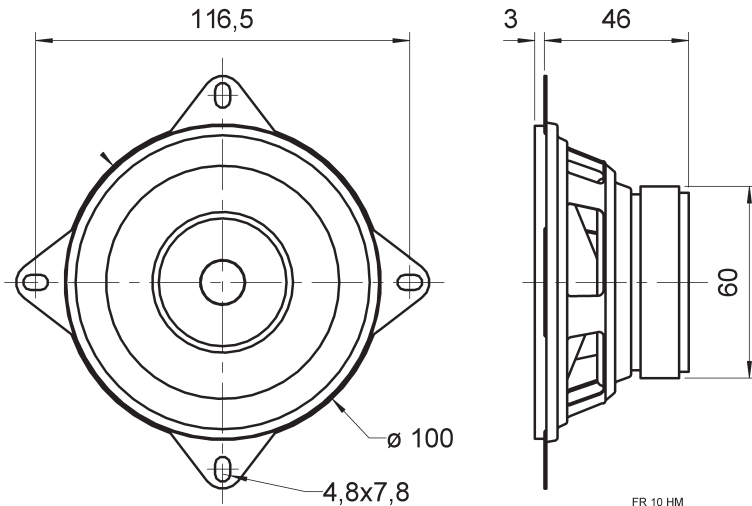
**Anwendungsmöglichkeiten:** Fahrzeuge, Reisemobile

**Zubehör:** Schutzgitter (Art. No. 4642, 4640, 4744)

**10 cm (4") fullrange speaker** with tweeter cone and European standard basket. Simple fitting in vehicles with cut-outs for 10 cm speakers.

**Typical applications:** Vehicles, mobile homes

**Accessories:** Protective grille (Art. No. 4642, 4640, 4744)



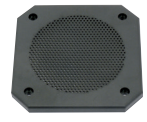
FR 10 HM  
08.01.02



Art. No. 4642 \*)

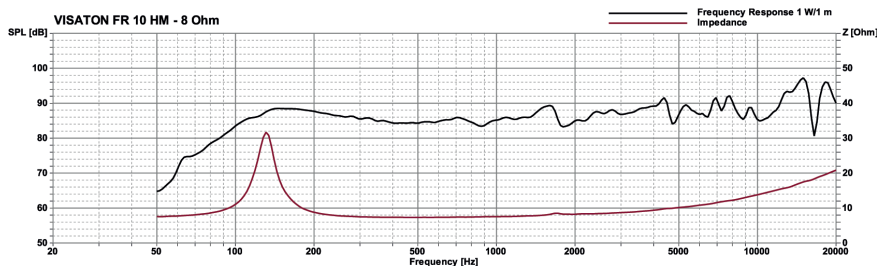
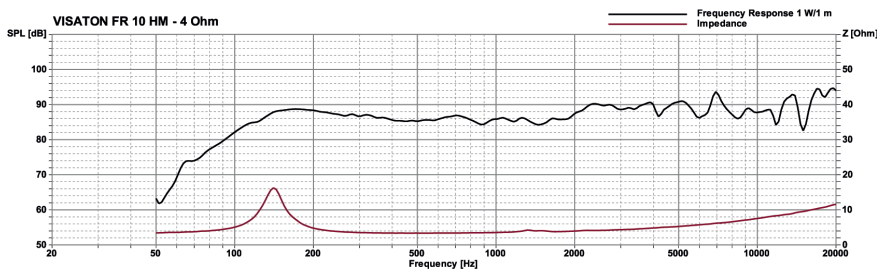
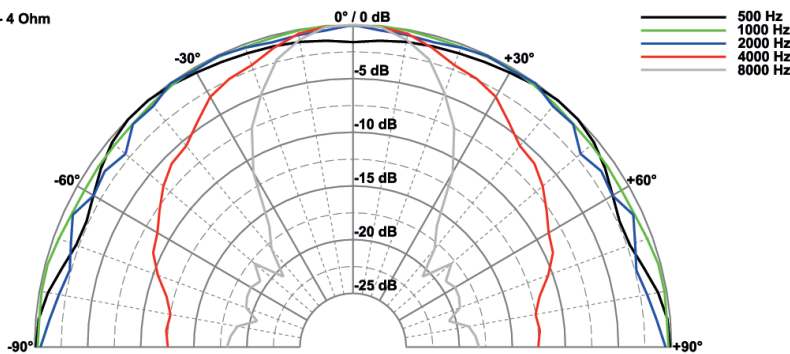


Art. No. 4640 \*)



Art. No. 4744 \*)

FR 10 HM - 4 Ohm



### Technische Daten / Technical Data

|                              |                      |
|------------------------------|----------------------|
| Nennbelastbarkeit            | 20 W                 |
| Rated power                  | 20 W                 |
| Musikbelastbarkeit           | 30 W                 |
| Maximum power                | 30 W                 |
| Impedanz                     | 4 Ω / 8 Ω            |
| Übertragungsbereich (-10 dB) | 95–22000 Hz          |
| Frequency response (-10 dB)  | 95–22000 Hz          |
| Mittlerer Schalldruckpegel   | 86 dB (1 W/1 m)      |
| Mean sound pressure level    | 86 dB (1 W/1 m)      |
| Grenzauslenkung $x_{mech}$   | ± 2 mm               |
| Excursion limit $x_{mech}$   | ± 2 mm               |
| Resonanzfrequenz             | 120 Hz               |
| Resonant frequency           | 120 Hz               |
| Obere Polplattenhöhe         | 2 mm                 |
| Height of front pole-plate   | 2 mm                 |
| Schwingspuldurchmesser       | 14 mm Ø              |
| Voice coil diameter          | 14 mm Ø              |
| Wickelhöhe                   | 5 mm                 |
| Height of winding            | 5 mm                 |
| Schallwandöffnung            | 94 mm Ø              |
| Cut-out diameter             | 94 mm Ø              |
| Anschlüsse                   | 2 x 4,8 x 0,8 mm (+) |
| Terminal                     | 2 x 2,8 x 0,8 mm (-) |
| Gewicht netto                | 0,34 kg              |
| Net weight                   | 0,34 kg              |

\*) Details und Zeichnungen siehe Seite 372–376 /  
Details and drawings see page 372–376

Weitere Daten Seiten / for further data see pages 377–378

## X-ON Electronics

Largest Supplier of Electrical and Electronic Components

*Click to view similar products for [Speakers & Transducers](#) category:*

*Click to view products by [Visaton](#) manufacturer:*

Other Similar products are found below :

[FC-30814-P127](#) [AS02832MR-2-R](#) [PB-1220PE](#) [PB-2015PQ](#) [900-00001](#) [AB2025B-LW50-R](#) [SWFK-31736-000](#) [PT-2065FW](#) [PT-4175W](#) [AT-2830-TW-LW35-R](#) [ED-30761-000](#) [CI-30120-A42](#) [SMT-0440-T-2-R](#) [PB-0927PQ](#) [BF-7083-000](#) [CTX323B220](#) [SMS2020-08H4.5 LF](#) [BDT1717-08H6.5W56MLF](#) [GSPK1003PN-8R0.2W-L100](#) [GSPK151103TN-8R0.2W](#) [GSPK2014035PN-8R0.5W-L100](#) [AS03608MR-LW100-R](#) [24520](#) [SMT-0540-S-2-R](#) [1450069](#) [9091653](#) [9091661](#) [IPS-G6000-5](#) [9090231](#) [FS50MS0820-H9.7](#) [FS4014-4-2W](#) [PBM4-13.B29R.A115.0663](#) [PBM4-13.B31R.A115.0663](#) [PBM4-13.B33R.A115.0663](#) [PBM4-13.B35R.A115.0663](#) [A-10-6-BG360-HD1Z-GA-M4Z-ZW](#) [A-10-6-BG410-HD1Z-AA-AGZ-ZW](#) [A-10-6-BG410-HD1Z-AA-M4Z-ZW](#) [A-10-6-BG410-HD1Z-FC-AGZ-ZW](#) [A-10-6-BG410-HD1Z-GA-M4Z-ZW](#) [A-10-6-BG310-HD1Z-AA-AGZ-ZW](#) [A-10-6-BG310-HD1Z-AA-M4Z-ZW](#) [A-10-6-BG310-HD1Z-GA-M4Z-ZW](#) [A-10-6-BG316-HD1Z-AA-M4Z-ZW](#) [A-10-6-BG325-HD1Z-AA-AGZ-ZW](#) [A-10-6-BG325-HD1Z-AA-M4Z-ZW](#) [A-10-6-BG340-HD1Z-AA-AGZ-ZW](#) [A-10-6-BG340-HD1Z-AA-M4Z-ZW](#) [A-10-6-BG340-HD1Z-GA-M4Z-ZW](#) [A-10-6-BG360-GT1Z-AA-M4Z-ZW](#)