

## PAW 46

Art. No. 3056 – 8 Ω



### Technische Daten / Technical Data

|   |   |
|---|---|
| Nennbelastbarkeit<br><i>Rated power</i>   | 700 W                                   |
| Musikbelastbarkeit<br><i>Maximum power</i>  | 1000 W                                  |
| Impedanz<br><i>Impedance</i>  | 8 Ω                                     |
| Übertragungsbereich (-10 dB)<br><i>Frequency response (-10 dB)</i>                | fu-3200 Hz                              |
| Mittlerer Schalldruckpegel<br><i>Mean sound pressure level</i>                    | 93 dB (2,83 V/1 m)                      |
| Grenzauslenkung $x_{mech}$<br><i>Excursion limit <math>x_{mech}</math></i>        | ± 10 mm                                 |
| Max. linearer Hub $x_{in}$<br><i>Max. linear displacement <math>x_{in}</math></i> | ± 4,9 mm                                |
| Resonanzfrequenz<br><i>Resonant frequency</i>                                     | 29 Hz                                   |
| Schwingspulendurchmesser<br><i>Voice coil diameter</i>                            | 100 mm                                  |
| Schallwandöffnung<br><i>Cut-out diameter</i>                                      | 422 mm                                  |
| Anschluss<br><i>Terminal</i>  | Federklemmen<br><i>Spring terminals</i> |
| Gewicht netto<br><i>Net weight</i>  | 11,5 kg                                 |

Weitere Daten Seiten / for further data see pages 377-378

fu: Untere Grenzfrequenz abhängig vom Gehäuse;  
Lower cut-off frequency depending on cabinet

46 cm (18") Tieftöner für PA Systeme.

### Anwendungsmöglichkeiten und Eigenschaften

- Druckgusskorb
- Verstärkte Papiermembran
- 100 mm Schwingspule für hohe Belastbarkeit
- Til Spulenträger
- Zusätzlich belüfteter Luftspalt (6fach Bohrung)
- Große 55 mm Polkernbohrung
- M-förmig gefaltete Textilsicke für große Hübe
- Nomex Zentrierspinne
- EVA Dichtung
- Ferrit Magnet

Bestückung: SUB PA 240

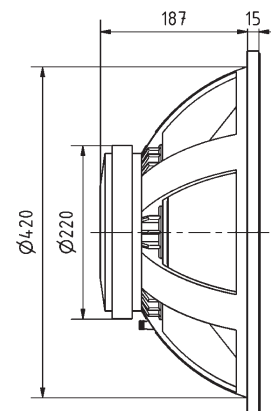
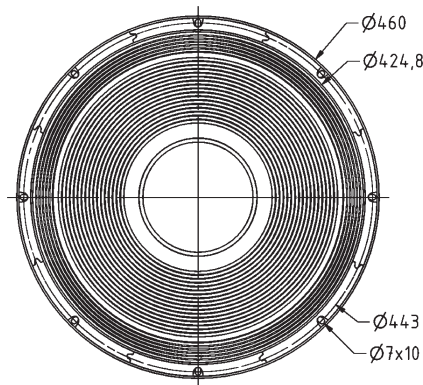
46 cm (18") woofer for PA applications.

### Typical applications and attributes

- Die cast basket
- Reinforced paper membrane
- 100 mm voice coil for high power handling
- Til voice coil former
- Additional vented air gap (6 holes)
- 55 mm t-yoke venting
- M shape surround for high excursion
- Nomex spider
- EVA gasket
- Ferrite magnet

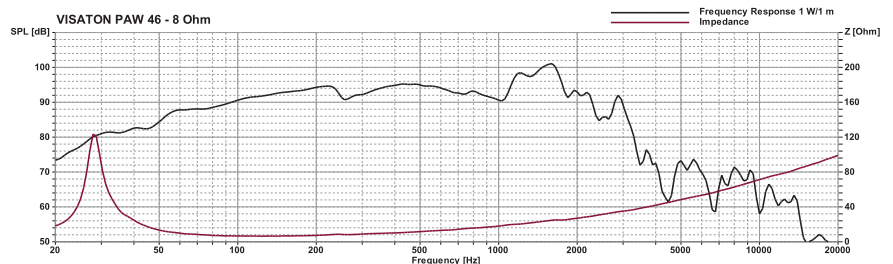
Applied to: SUB PA 240

| Volumen/Prinzip; Volume/Principle | BR-Rohr; BR-Channel         | fb    | fc/QTC     |
|-----------------------------------|-----------------------------|-------|------------|
| 120 l/geschlossen; closed         | -                           | -     | 56 Hz/0,71 |
| 150 l/Bassreflex; bass reflex     | 6 x BR 25.50                | 37 Hz | -          |
| 273 l/Bassreflex; bass reflex     | 400 cm <sup>2</sup> x 27 cm | 30 Hz | -          |



PAW 46

14.06.2016



## X-ON Electronics

Largest Supplier of Electrical and Electronic Components

*Click to view similar products for [Speakers & Transducers](#) category:*

*Click to view products by [Visaton](#) manufacturer:*

Other Similar products are found below :

[FC-30814-P127](#) [AS02832MR-2-R](#) [PB-1220PE](#) [PB-2015PQ](#) [900-00001](#) [AB2025B-LW50-R](#) [SWFK-31736-000](#) [PT-2065FW](#) [PT-4175W](#) [AT-2830-TW-LW35-R](#) [ED-30761-000](#) [CI-30120-A42](#) [SMT-0440-T-2-R](#) [PB-0927PQ](#) [BF-7083-000](#) [SMS2020-08H4.5 LF](#) [BDT1717-08H6.5W56MLF](#) [GSPK1003PN-8R0.2W-L100](#) [GSPK151103TN-8R0.2W](#) [GSPK2014035PN-8R0.5W-L100](#) [FS5353DS0830-H19.3](#) [TE082703-8](#) [XMLP040BD21F](#) [AS03608MR-LW100-R](#) [24520](#) [SMT-0540-S-2-R](#) [1450069](#) [9091653](#) [9091661](#) [IPS-G6000-5](#) [9090231](#) [FS4014-4-2W](#) [PBM4-13.B29R.A115.0663](#) [PBM4-13.B31R.A115.0663](#) [PBM4-13.B33R.A115.0663](#) [PBM4-13.B35R.A115.0663](#) [A-10-6-BG360-HD1Z-GA-M4Z-ZW](#) [A-10-6-BG410-HD1Z-AA-AGZ-ZW](#) [A-10-6-BG410-HD1Z-AA-M4Z-ZW](#) [A-10-6-BG410-HD1Z-FC-AGZ-ZW](#) [A-10-6-BG410-HD1Z-GA-M4Z-ZW](#) [A-10-6-BG310-HD1Z-AA-AGZ-ZW](#) [A-10-6-BG310-HD1Z-AA-M4Z-ZW](#) [A-10-6-BG310-HD1Z-GA-M4Z-ZW](#) [A-10-6-BG316-HD1Z-AA-AGZ-ZW](#) [A-10-6-BG316-HD1Z-AA-M4Z-ZW](#) [A-10-6-BG325-HD1Z-AA-AGZ-ZW](#) [A-10-6-BG325-HD1Z-AA-M4Z-ZW](#) [A-10-6-BG340-HD1Z-AA-AGZ-ZW](#) [A-10-6-BG340-HD1Z-AA-M4Z-ZW](#)