

PX 10 - 4 Ohm

Art. No. 4600



10 cm (4") 2-Wege-Koaxiallautsprecher mit Euro-Normkorb und Piezo-Hochtöner. Einfache Montage in Fahrzeugen mit Einbauorten für 10-cm-Lautsprecher. Wasserfeste Polypropylenmembran.

10 cm (4") 2-way coaxial loudspeaker with standard basket and piezoelectric tweeter. Straightforward installation in vehicles with cutouts for 10 cm speakers. Waterproof PP-cone.

Anwendungsmöglichkeiten / Typical applications

- Fahrzeuge
- Reisemobile

- Vehicles
- Mobile homes

01.10.2015

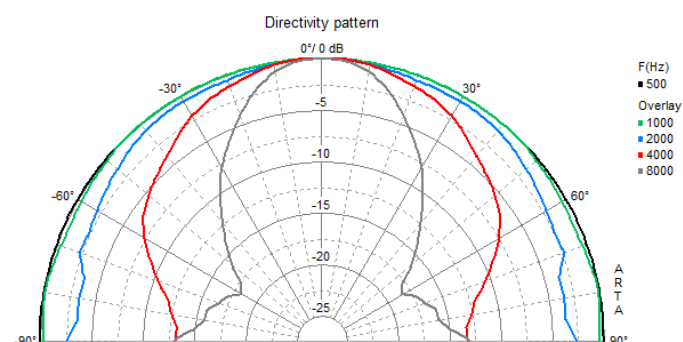
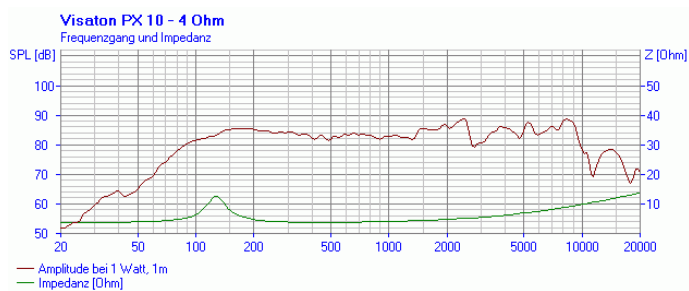
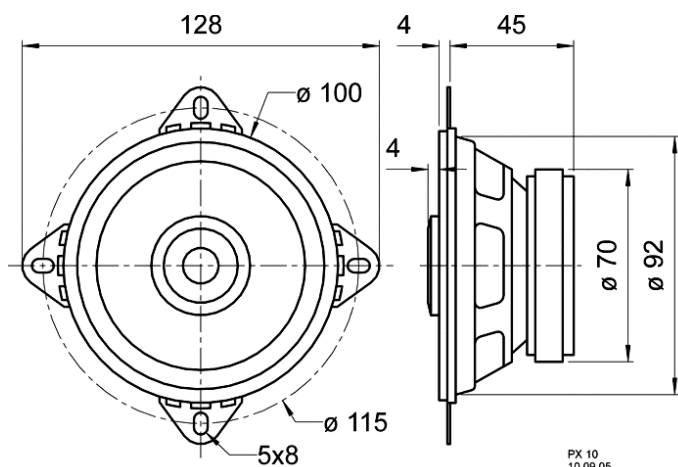
Eigenschaften / Attributes

- Polypropylenmembran
- Metallkorb
- Koaxiallautsprecher

- Polypropylene cone
- Metal basket
- Coaxial speaker

PX 10 - 4 Ohm

Art. No. 4600



Technische Daten / Technical data

Nennbelastbarkeit Rated power	20 W
Musikbelastbarkeit Maximum power	30 W
Nennimpedanz Z Nominal impedance Z	4 Ohm
Übertragungsbereich Frequency response	70–18000 Hz
Mittlerer Schalldruckpegel Mean sound pressure level	83 dB (1 W/1 m)
Abstrahlwinkel (-6 dB) Opening angle (-6 dB)	107°/4000 Hz
Grenzauslenkung Excursion limit	+/-2 mm
Resonanzfrequenz fs Resonance frequency fs	110 Hz
Obere Polplattenhöhe Height of front pole-plate	3 mm
Schwingspulendurchmesser Voice coil diameter	20 mm
Wickelhöhe Height of winding	5,2 mm
Schallwandöffnung Cutout diameter	93 mm
Gewicht netto Net weight	0,385 kg
Temperaturbereich Temperature range	-25 ... 70 °C

01.10.2015

X-ON Electronics

Largest Supplier of Electrical and Electronic Components

Click to view similar products for [Speakers & Transducers](#) category:

Click to view products by [Visaton](#) manufacturer:

Other Similar products are found below :

[FC-30814-P127](#) [AS02832MR-2-R](#) [PB-1220PE](#) [PB-2015PQ](#) [900-00001](#) [AB2025B-LW50-R](#) [SWFK-31736-000](#) [PT-2065FW](#) [PT-4175W](#) [AT-2830-TW-LW35-R](#) [ED-30761-000](#) [CI-30120-A42](#) [SMT-0440-T-2-R](#) [PB-0927PQ](#) [BF-7083-000](#) [SMS2020-08H4.5 LF](#) [BDT1717-08H6.5W56MLF](#) [GSPK1003PN-8R0.2W-L100](#) [GSPK151103TN-8R0.2W](#) [GSPK2014035PN-8R0.5W-L100](#) [AS03608MR-LW100-R](#) [24520](#) [SMT-0540-S-2-R](#) [1450069](#) [9091653](#) [9091661](#) [IPS-G6000-5](#) [9090231](#) [FS50MS0820-H9.7](#) [FS4014-4-2W](#) [PBM4-13.B29R.A115.0663](#) [PBM4-13.B31R.A115.0663](#) [PBM4-13.B33R.A115.0663](#) [PBM4-13.B35R.A115.0663](#) [A-10-6-BG360-HD1Z-GA-M4Z-ZW](#) [A-10-6-BG410-HD1Z-AA-AGZ-ZW](#) [A-10-6-BG410-HD1Z-AA-M4Z-ZW](#) [A-10-6-BG410-HD1Z-FC-AGZ-ZW](#) [A-10-6-BG410-HD1Z-GA-M4Z-ZW](#) [A-10-6-BG310-HD1Z-AA-AGZ-ZW](#) [A-10-6-BG310-HD1Z-AA-M4Z-ZW](#) [A-10-6-BG310-HD1Z-GA-M4Z-ZW](#) [A-10-6-BG316-HD1Z-AA-M4Z-ZW](#) [A-10-6-BG325-HD1Z-AA-AGZ-ZW](#) [A-10-6-BG325-HD1Z-AA-M4Z-ZW](#) [A-10-6-BG340-HD1Z-AA-AGZ-ZW](#) [A-10-6-BG340-HD1Z-AA-M4Z-ZW](#) [A-10-6-BG340-HD1Z-GA-M4Z-ZW](#) [A-10-6-BG360-GT1Z-AA-M4Z-ZW](#) [A-10-6-BG360-HD1Z-AA-AGZ-ZW](#)