

Multidial 10 Turns 30.6 mm Diameter Recessed Design



26-1-21 Recessed
 L. 15 mm (from panel)
 L. 31.5 mm (total)

FEATURES

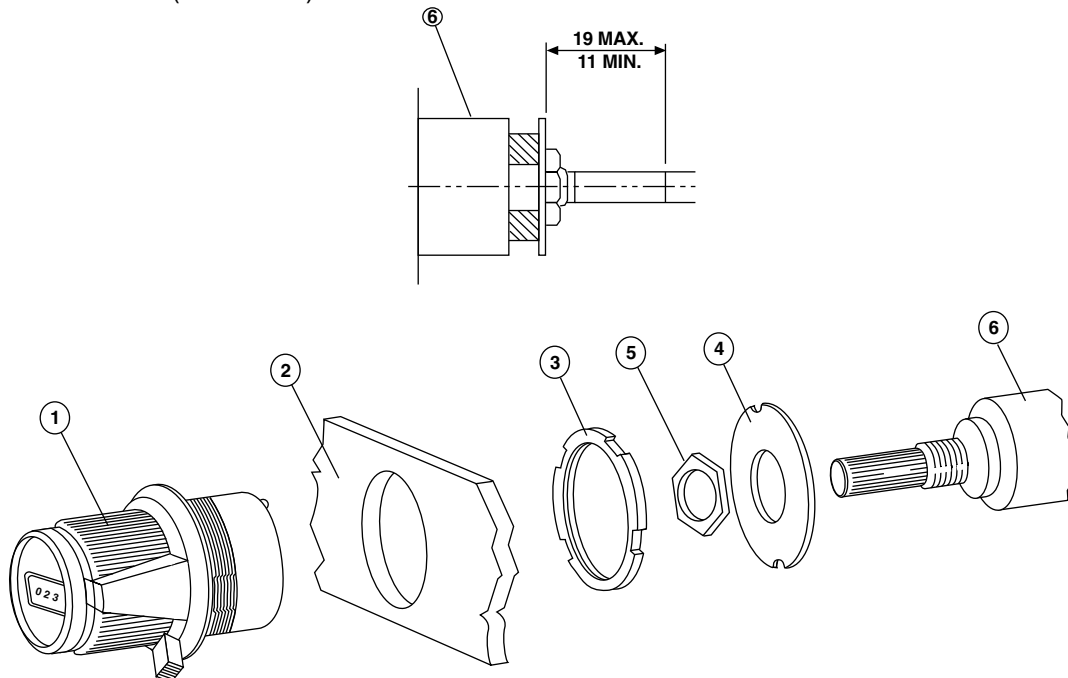
- Black body, satin face with chrome ring
- White three digit markings on black background
- Additional graduations for fine adjustment
- Protective window
- Locking lever for fixed position
- Suitable for 6.35 mm shafts
- Supplied with locking key and mounting instructions
- Material categorization: For definitions of compliance please see www.vishay.com/doc?99912



RoHS
 COMPLIANT

QUICK REFERENCE DATA	
Sensor type	DIALS
Market appliance	Professional
Dimensions	30.6 mm diameter

DIMENSIONS in inches (millimeters)



ORDERING INFORMATION/DESCRIPTION				
26	A	21	B050	e
MODEL	1/4" SHAFT	BLACK BODY Satin face with chrome ring	PACKAGING	LEAD FINISH

SAP PART NUMBERING GUIDELINES				
26	A	21	B50	
MODEL	SHAFT DIAMETER	FINISH	PACKAGING	



Disclaimer

ALL PRODUCT, PRODUCT SPECIFICATIONS AND DATA ARE SUBJECT TO CHANGE WITHOUT NOTICE TO IMPROVE RELIABILITY, FUNCTION OR DESIGN OR OTHERWISE.

Vishay Intertechnology, Inc., its affiliates, agents, and employees, and all persons acting on its or their behalf (collectively, "Vishay"), disclaim any and all liability for any errors, inaccuracies or incompleteness contained in any datasheet or in any other disclosure relating to any product.

Vishay makes no warranty, representation or guarantee regarding the suitability of the products for any particular purpose or the continuing production of any product. To the maximum extent permitted by applicable law, Vishay disclaims (i) any and all liability arising out of the application or use of any product, (ii) any and all liability, including without limitation special, consequential or incidental damages, and (iii) any and all implied warranties, including warranties of fitness for particular purpose, non-infringement and merchantability.

Statements regarding the suitability of products for certain types of applications are based on Vishay's knowledge of typical requirements that are often placed on Vishay products in generic applications. Such statements are not binding statements about the suitability of products for a particular application. It is the customer's responsibility to validate that a particular product with the properties described in the product specification is suitable for use in a particular application. Parameters provided in datasheets and / or specifications may vary in different applications and performance may vary over time. All operating parameters, including typical parameters, must be validated for each customer application by the customer's technical experts. Product specifications do not expand or otherwise modify Vishay's terms and conditions of purchase, including but not limited to the warranty expressed therein.

Except as expressly indicated in writing, Vishay products are not designed for use in medical, life-saving, or life-sustaining applications or for any other application in which the failure of the Vishay product could result in personal injury or death. Customers using or selling Vishay products not expressly indicated for use in such applications do so at their own risk. Please contact authorized Vishay personnel to obtain written terms and conditions regarding products designed for such applications.

No license, express or implied, by estoppel or otherwise, to any intellectual property rights is granted by this document or by any conduct of Vishay. Product names and markings noted herein may be trademarks of their respective owners.

X-ON Electronics

Largest Supplier of Electrical and Electronic Components

Click to view similar products for [Knobs & Dials](#) category:

Click to view products by [Vishay](#) manufacturer:

Other Similar products are found below :

[790-1030](#) [790-1202](#) [790-2226](#) [8519](#) [8529](#) [8547](#) [85-559](#) [8573](#) [11K5015-EMNB](#) [11K5048-KMNB](#) [11K5015-EMNG](#) [1770](#) [P400S-08-D6-N](#)
[K6510](#) [3045B](#) [AR22PY-122B](#) [PKJ50B18](#) [277A](#) [348003](#) [42000B38](#) [420114B14](#) [5006](#) [56008-001](#) [411](#) [420037B14](#) [WA-101C-P](#) [WA-102B](#)
[WA-103](#) [WA-109B](#) [WA-1450-P](#) [WA-1550](#) [WA-1600-P](#) [WA-2300](#) [WA-4100](#) [WA-4108-P](#) [52-928.20](#) [52-928.60](#) [52-928.9](#) [8545](#) [8572](#) [WA-](#)
[4104](#) [WA-4103](#) [WA-1202](#) [WA-104B](#) [WA-103B](#) [WA-102](#) [6126](#) [MS91528-0N1B](#) [790-1208](#) [790-1370-MS](#)