

MKP-DC-Filter Capacitors, Dry, Self-healing, Segmented

PART NO. GMKPg 1100-220 IBY
ART. NO. 30496

NOMINAL RATINGS

Capacitance/Tolerance Cn 200uF - 2 + 3%
 Rated voltage Un 1100VDC

OVER VOLTAGES ACCORDING IEC 61071-1

1.1 x Un	U1	1210V (30% of the working time)
1.15 x Un	U2	1265V (30min/day)
1.2 x Un	U3	1320V (5min/day)
1.3 x Un	U4	1430V (1min/day)
1.5 x Un	U4	1650V (100ms/day)

Voltage rate of rise	du/dt	25V/μs
Nominal current	In	40A
Peak current	Is	5.5kA
Self Inductance	Ls	< 45nH

Series resistance	RESR	< 3.0mΩ
Loss factor 50Hz	tan	< 3 x 10 ⁻⁴
Loss factor diel. 50Hz	tan	< 2 x 10 ⁻⁴

ROUTINE TESTS

Test voltage Terminal/Terminal	UT/T	1650V, DC, 10s
Test voltage Terminal/Casing	UT/C	4000V, 50Hz, 60s

Measurement of capacitance
 Measurement of loss factor

OPERATING TEMPERATURE

Minimum ambient temperature	Tmin	- 40°C
Maximum ambient temperature	Tmax	+ 70°C

STORAGE TEMPERATURE

Minimum temperature	Tmin	- 40°C
Maximum temperature	Tmax	+ 80°C

TECHNOLOGY

Dielectric	Polypropylene, self-healing segmented
Filling material	Resin, polyurethane dry

BUSHING

Type	D-214
Flash over distance	11mm
Creepage Distance	16mm
Connection	bolt M 8
Max. torque	8Nm

DESIGN DATA

Dimensions:	84.4 x 130mm
Drawing:	20-B-068
Weight:	0.72kg
Casing Material:	Aluminum

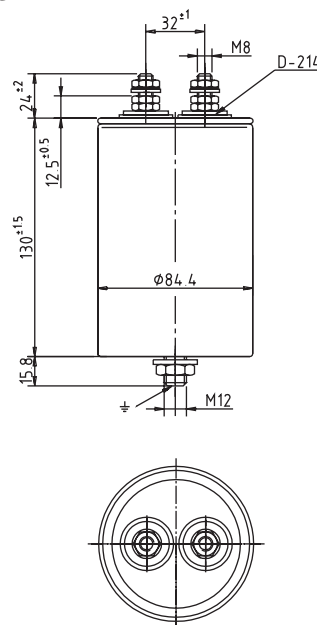
Mounting positionS: All

LIFE EXPECTANCY: > 200000h at 50°C

FAILURE RATE: 200 FIT

SPECIFICATIONS: IEC 61071-1

DIMENSIONS





Disclaimer

All product specifications and data are subject to change without notice.

Vishay Intertechnology, Inc., its affiliates, agents, and employees, and all persons acting on its or their behalf (collectively, "Vishay"), disclaim any and all liability for any errors, inaccuracies or incompleteness contained herein or in any other disclosure relating to any product.

Vishay disclaims any and all liability arising out of the use or application of any product described herein or of any information provided herein to the maximum extent permitted by law. The product specifications do not expand or otherwise modify Vishay's terms and conditions of purchase, including but not limited to the warranty expressed therein, which apply to these products.

No license, express or implied, by estoppel or otherwise, to any intellectual property rights is granted by this document or by any conduct of Vishay.

The products shown herein are not designed for use in medical, life-saving, or life-sustaining applications unless otherwise expressly indicated. Customers using or selling Vishay products not expressly indicated for use in such applications do so entirely at their own risk and agree to fully indemnify Vishay for any damages arising or resulting from such use or sale. Please contact authorized Vishay personnel to obtain written terms and conditions regarding products designed for such applications.

Product names and markings noted herein may be trademarks of their respective owners.

X-ON Electronics

Largest Supplier of Electrical and Electronic Components

Click to view similar products for [Film Capacitors](#) category:

Click to view products by [Vishay](#) manufacturer:

Other Similar products are found below :

[F450KG153J250ALH0J](#) [750-1018](#) [FKP1-1000160010P15](#) [FKP1-1500160010P15](#) [82EC1100DQ50K](#) [MMWAF150KME](#)
[PFR5101J100J11L16.5TA18](#) [PME261JB5220KR19T0](#) [A521HH333M035C](#) [QXJ2E474KTPT](#) [QXL2B333KTPT](#) [QXM2G104K](#) [DMT2P22](#)
[EEC2G505HQA406](#) [B32520C6332K000](#) [B32522C6104K000](#) [B32523Q3155J](#) [B32676E6755K](#) [C3B2AD44400B20K](#) [217-0716-001](#) [KP1830-](#)
[247/061-G](#) [SCD105K122A3-22](#) [2N3155](#) [F601BL225K063CL60A](#) [FKP1-2202KV5P15](#) [FKS3-680040010P10](#) [445450-1](#) [B32523Q0475K000](#)
[46KR415050M1K](#) [4BSNBX4100ZBFJ](#) [4DCNAQ4450ZA0J](#) [MKP383510063JKP2T0](#) [MKT 1813-368-015](#) [MKT182022263473](#) [WMC08P22](#)
[WMF1S15](#) [WMF4S68](#) [EEC2E106HQA405](#) [EEC2G805HQA415](#) [82DC3100DQ50J](#) [82DC4100AA60K](#) [82EC2150DQ50K](#) [WMF4D68](#)
[WMF1D68](#) [PHE841ED6150MR17T0](#) [B25620B118K883](#) [B25620B158K883](#) [66MD2100CK7AK](#) [97F8038](#) [NRM-S225K250F](#)