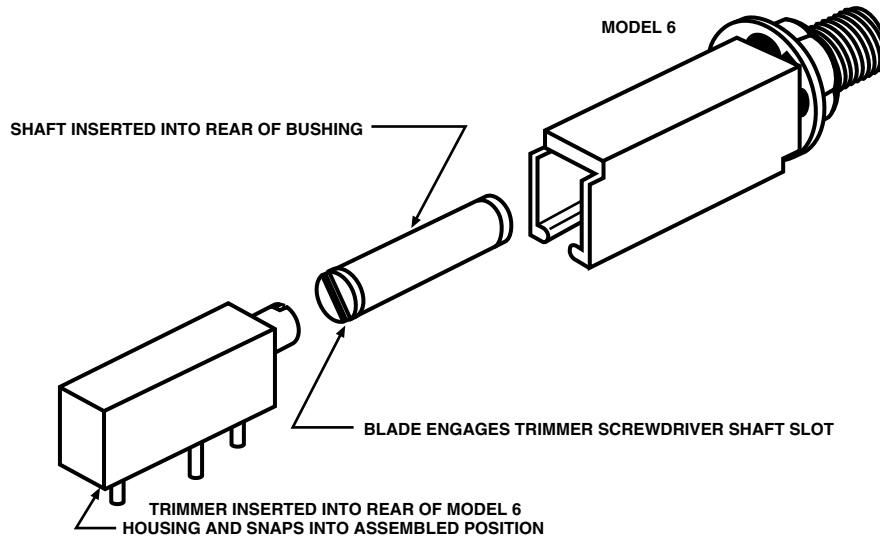


## Snap-On Panel Mount Adapters

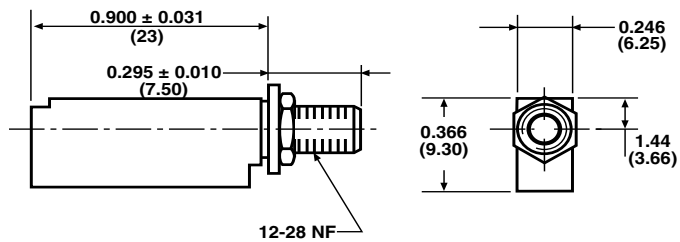
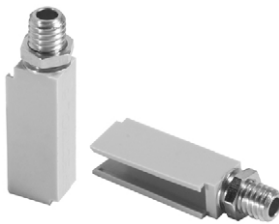
Vishay Spectrol's standard 3/4" and 1 - 1/4" rectangular trimming potentiometers, the Models 43 and 70, may be easily panel mounted through the use of Vishay Spectrol Model 6 panel mount adapters. The adapters are designed to convert these standard trimmer models into panel mount trimmers in a quick, convenient, and economical manner. Assembly with the trimmer is accomplished by snap-in, providing for minimal installation time.



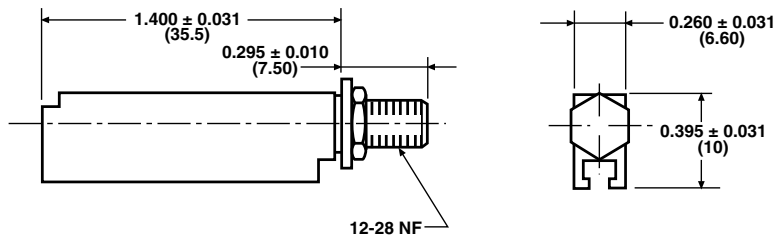
### DIMENSIONS in inches (millimeters)

#### ACTUAL SIZES

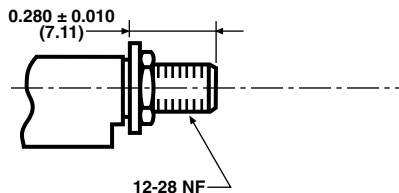
##### 6-1-0



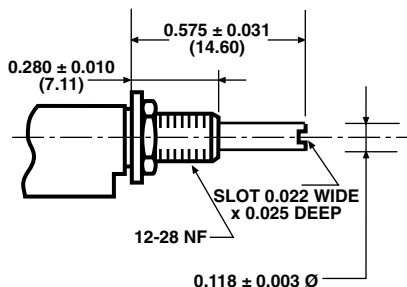
##### 6-2-0



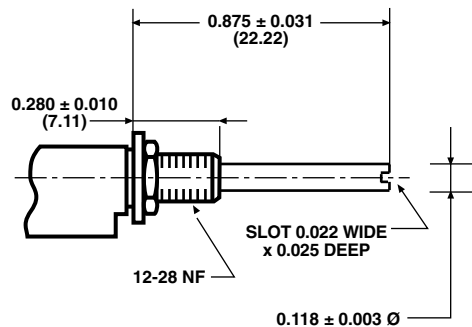
**AVAILABLE SHAFT CONFIGURATIONS**



6-1-2



6-1-3



SHAFT DIMENSIONS APPLY TO 6-1-X AND 6-2-X VERSION

**MECHANICAL SPECIFICATIONS**

- Construction:** molded polyester plastic
  - Bushing Material:** brass nickel plated
  - Bushing Hardware:** panel nut and lock washer
  - Shafts Available (Inches):** (1) flush (2) 0.575 (3) 0.875
- See photos and drawings for additional information

**PACKAGING**

Box of 100 pieces

ORDERING INFORMATION		
6 MODEL	1 TRIMMER SIZE 1: fits Vishay Spectrol Model 43 2: fits Vishay Spectrol Model 70	2 SHAFT EXTENSION 0: no extra shaft 1: shaft flush with bushing 2: 0.575 Shaft extension 3: 0.875 Shaft extension

SAP PART NUMBERING GUIDELINES																	
A	C	C	T	R	I	A	D	B	3	0	6	1	2				
MODEL						TOL.		PACKAGING CODE			SPECIAL (IF APPLICABLE)						
See the end of this data book for conversion tables																	

RELATED DOCUMENTS	
<b>APPLICATION NOTES</b>	
Potentiometers and Trimmers	<a href="http://www.vishay.com/doc?51001">www.vishay.com/doc?51001</a>
Guidelines for Vishay Sfernice Resistive and Inductive Components	<a href="http://www.vishay.com/doc?52029">www.vishay.com/doc?52029</a>

## X-ON Electronics

Largest Supplier of Electrical and Electronic Components

*Click to view similar products for [Potentiometer Tools & Fixings](#) category:*

*Click to view products by [Vishay](#) manufacturer:*

Other Similar products are found below :

[7071](#) [7071E](#) [7072E](#) [FKS-1/4](#) [H-38-3](#) [1220A](#) [ACCPOTDBB173190100](#) [H-858](#) [H-137-000](#) [H-37-5](#) [H-38-1](#) [7090E](#) [7074E](#) [RK14K1240A4S](#)  
[HARDWARE](#) [H-862](#) [100P8](#) [H-80-1](#) [RKZ00020NA](#) [34-1032-1A](#) [006-1-0](#) [1-150](#) [T4845 09](#) [T4845 26](#) [H-38-2](#) [H-37-1](#) [DA-01](#) [P0700-21](#)  
[P0700-7](#) [DA-02](#) [008T000](#) [T4845 13](#) [T4845 18](#) [T4857](#) [GSD-675](#) [H-114P](#) [H-83P](#) [H-90](#) [H-91](#) [DA-83](#) [DA-88](#) [6533E](#) [6591E](#) [7070E](#) [7091E](#)  
[5465](#) [RKZ00023UA](#) [ZB4BD912](#) [T4844](#) [T4847](#) [T4847 0](#)