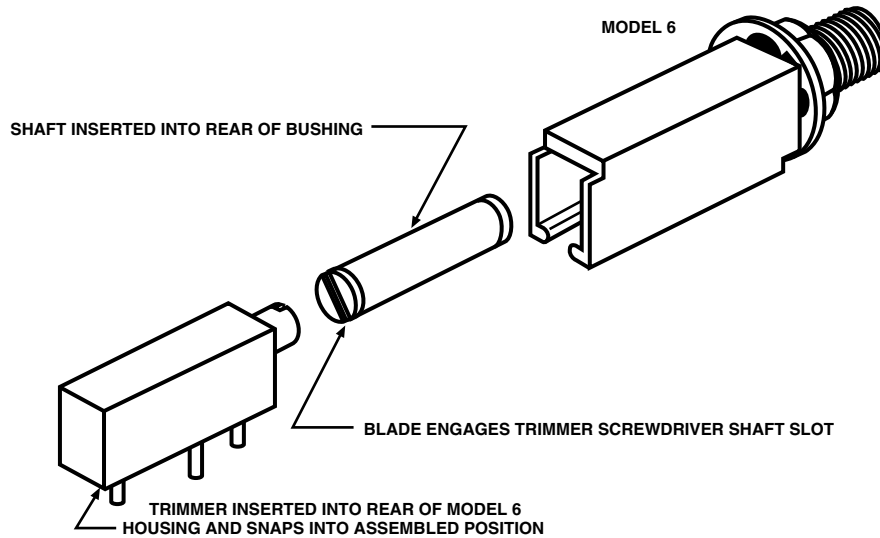


Snap-On Panel Mount Adapters

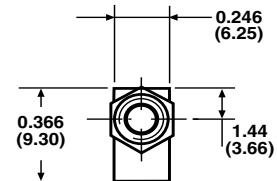
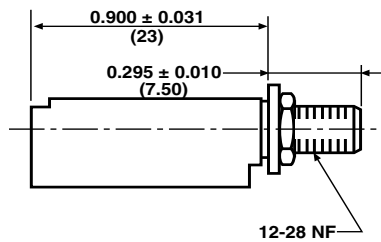
Vishay Spectrol's standard 3/4" and 1 - 1/4" rectangular trimming potentiometers, the Models 43 and 70, may be easily panel mounted through the use of Vishay Spectrol Model 6 panel mount adapters. The adapters are designed to convert these standard trimmer models into panel mount trimmers in a quick, convenient, and economical manner. Assembly with the trimmer is accomplished by snap-in, providing for minimal installation time.



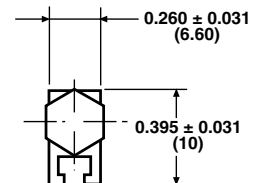
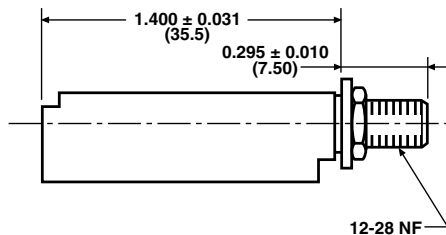
DIMENSIONS in inches (millimeters)

ACTUAL SIZES

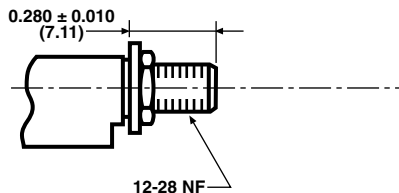
6-1-0



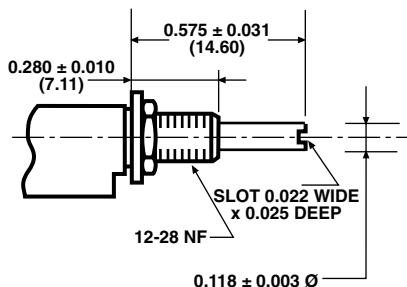
6-2-0



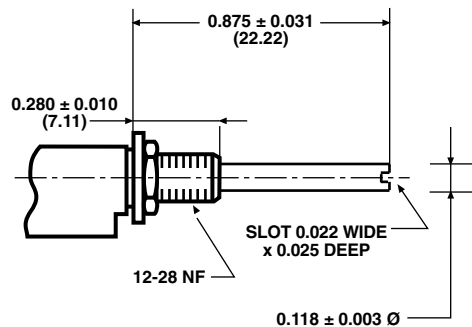
AVAILABLE SHAFT CONFIGURATIONS



6-1-2



6-1-3



SHAFT DIMENSIONS APPLY TO 6-1-X AND 6-2-X VERSION

MECHANICAL SPECIFICATIONS

- Construction:** molded polyester plastic
 - Bushing Material:** brass nickel plated
 - Bushing Hardware:** panel nut and lock washer
 - Shafts Available (Inches):** (1) flush (2) 0.575 (3) 0.875
- See photos and drawings for additional information

PACKAGING

Box of 100 pieces

ORDERING INFORMATION		
6 MODEL	1 TRIMMER SIZE 1: fits Vishay Spectrol Model 43 2: fits Vishay Spectrol Model 70	2 SHAFT EXTENSION 0: no extra shaft 1: shaft flush with bushing 2: 0.575 Shaft extension 3: 0.875 Shaft extension

SAP PART NUMBERING GUIDELINES																	
A	C	C	T	R	I	A	D	B	3	0	6	1	2				
MODEL						TOL.		PACKAGING CODE			SPECIAL (IF APPLICABLE)						
See the end of this data book for conversion tables																	

RELATED DOCUMENTS	
APPLICATION NOTES	
Potentiometers and Trimmers	www.vishay.com/doc?51001
Guidelines for Vishay Sfernice Resistive and Inductive Components	www.vishay.com/doc?52029

X-ON Electronics

Largest Supplier of Electrical and Electronic Components

Click to view similar products for [Potentiometer Tools & Fixings](#) category:

Click to view products by [Vishay](#) manufacturer:

Other Similar products are found below :

[DA-88](#) [T4856A](#) [100P8](#) [ACCTRIADB30620](#) [ACCTRIADB30610](#) [H-80-1](#) [RKZ00020NA](#) [34-1032-1A](#) [1-150](#) [DA-01](#) [DA-02](#) [T4845 13](#)
[T4845 18](#) [T4857](#) [GSD-675](#) [DA-83](#) [H-115P](#) [6532](#) [T4856](#)