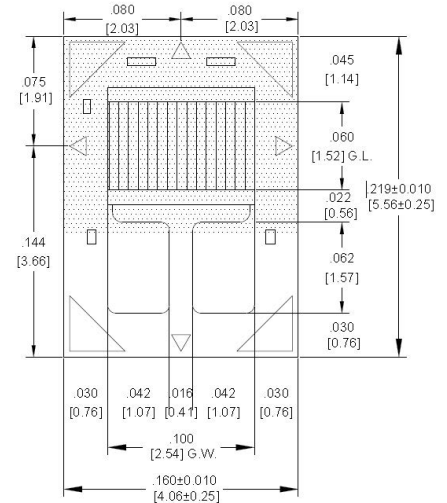


Main properties

- High performance linear Strain Gage with pre-attached thin cable
- 350Ω grid for reduction of self-heating and thermal induced errors. Grid length: 60[mils]
- Strain Gage is pre-wired with 30AWG, PVC coated, color coded flat cable in 2 wire configuration 3ft
- Gage and wires standard operating temperature up to 80°C
- Easy to use packaging with engineering data
- RoHS compliance



Item		Value
Grid length		0.060" [1.52mm]
Resistance		350±0.3%
Gage Factor		2.07
Transverse Sensitivity		0.53%
Operating Temperature		Up to 80°C
Gage Structure	Backing	Polyimide, 20µm
	Resistive Foil	Constantan
	Encapsulation	Polyimide*
Thermal performance coefficients on package, per gage lot		

*As a standard, where applicable

** GF and TS values are for A83 ingot, for other ingots slight variations are possible, indicated on package

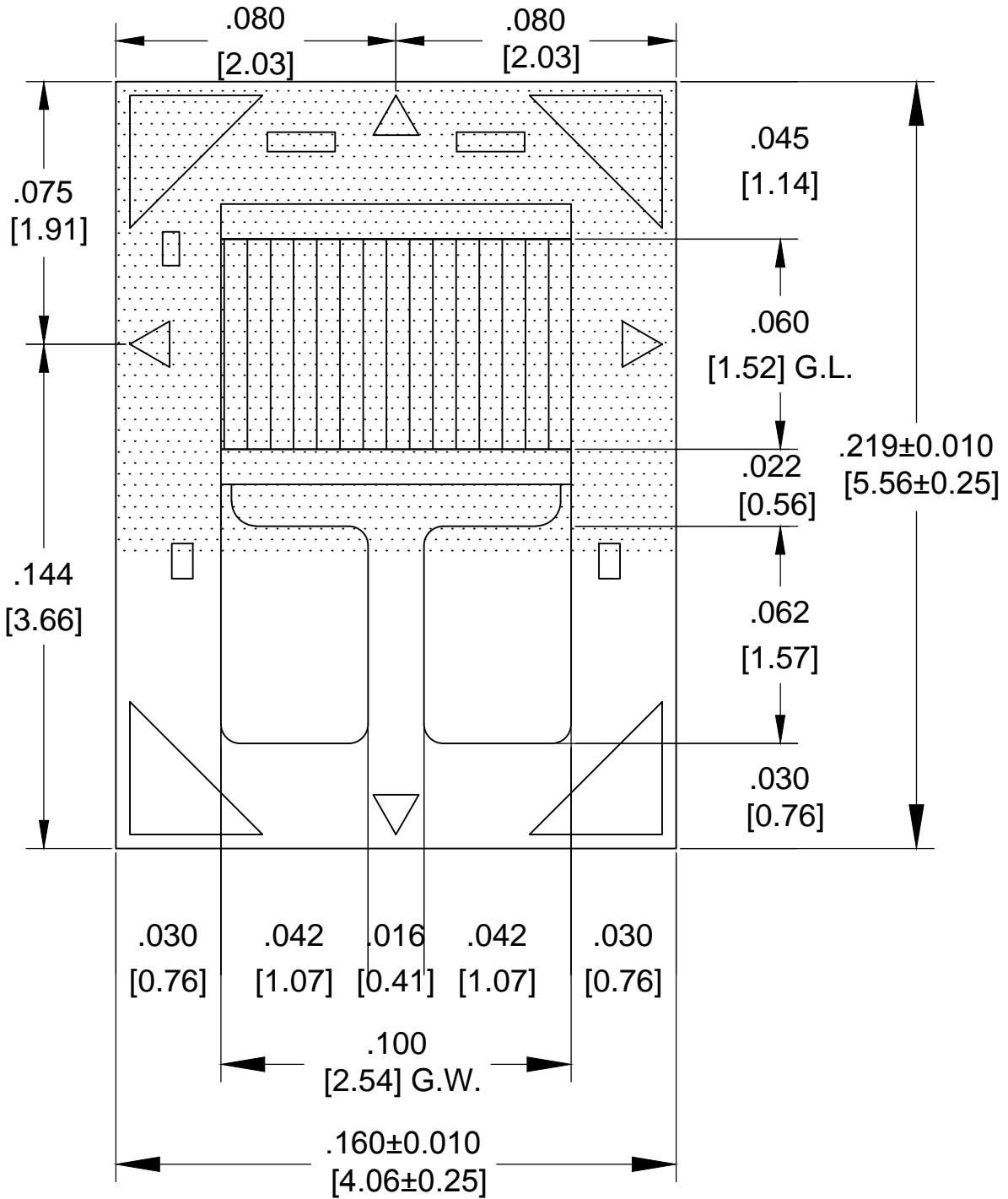
Wires

- Flat cable of 30AWG wires, PVC insulated, thin and flexible for easy handling
- Stripped and tinned at ends for easy integration directly to DAQ terminals
- Operating temperature up to 80 °C
- Color coding:

Grid 1	
Pad A	Pad B
White wire	Red Wire

For technical questions, contact mm.as@vpgsensors.com

LTR	REVISION	ERN	INITIAL	DATE
~			OS	2018-02-



DIMENSIONS TOLERANCE IS ± 0.0025 [± 0.06]

THESE DRAWINGS/SPECIFICATIONS ARE THE EXCLUSIVE PROPERTY OF MICRO-MEASUREMENTS. THEY SHALL NOT BE REPRODUCED OR COMMUNICATED TO OTHERS, IN WHOLE OR IN PART, NOR BE USED AS A BASIS FOR MANUFACTURE OR SALE OF THE ITEMS REPRESENTED, WITHOUT THE WRITTEN PERMISSION OF MICRO-MEASUREMENTS.



Micro-Measurements
Raleigh, North Carolina USA



060SL PATTERN LAYOUT

CONSTRUCTION:

OPTIONS:

C4A

RESISTANCE:

REFERENCE:

$350 \pm 0.3\%$
 $120 \pm 0.3\%$

DRAWN BY:

DATE:

SCALE:

ALL DIMENSIONS ARE IN INCH

OS

2018-02-28

N.T.S.

[mm].

PROJ. ENG.

DATE:

DWG. #

REVISION:

AH

2018-02-28

MS-060SL-10521

~

Advanced Sensors 'C4A Series' Packaging

1. Micro-Measurements Advanced Sensors C4A Strain Gages are packaged in a rugged carton box for product protection and ease of usage:



Engineering data is on the backside label

2. Standard package includes 10 gages per box, each gage is packaged in an individual Anti-Static bag:



3. Gage is protected within an Acetate folder. Wire is winded into a coil and binded with a tie twist for easy wire handling:



For technical questions, contact mm@vpgsensors.com

X-ON Electronics

Largest Supplier of Electrical and Electronic Components

Click to view similar products for [Board Mount Pressure Sensors](#) category:

Click to view products by [Vishay](#) manufacturer:

Other Similar products are found below :

[80527-25.0H2-05](#) [80541-B00000150-01](#) [80541-B00000200-05](#) [80554-00700100-05](#) [80568-00300050-01](#) [81618-B00000040-01](#) [81739-B00000900-01](#) [81807-B00000020-01](#) [81808-B00000150-14](#) [82903-B00000020-01](#) [93.631.4253.0](#) [93.731.4353.0](#) [93.932.4553.0](#) [136PC150G2](#) [136PC15A1](#) [142PC95AW71](#) [142PC05DW70](#) [MPXV2202DPT1](#) [15PSI-G-4V](#) [1805-01A-L0N-B](#) [2000317-1](#) [26PCBKT](#) [26PCCFA6D26](#) [26PCCFS2G](#) [26PCCVA6D](#) [93.632.7353.0](#) [93.731.3653.0](#) [93.931.4853.0](#) [93.932.4853.0](#) [SCDA120-XSC05DC](#) [SP370-23-156-0](#) [185PC30DH](#) [192992-0059](#) [20INCH-G-MV-MINI](#) [26PCAFJ3G](#) [26PCAFS2G54](#) [26PCCEP5G24](#) [26PCJEU5G19](#) [30INCH-D1-MV-MINI](#) [ASCX15AN-90](#) [TSCSAAN001PDUCV](#) [DCAL401DN](#) [DCAL401GN](#) [XZ202798SSC](#) [XZ203676HSC](#) [SP370-25-116-0](#) [81717-00000050-05](#) [81794-B00001200-01](#) [HSCDLNN100PGAA5](#) [81618-B00000040-05](#)