



ORDERING INFORMATION		
Temp. Range	Package	Part Number
- 40 °C to 85 °C	16-pin plastic DIP	DG411DJ DG411DJ-E3
		DG412DJ DG412DJ-E3
		DG413DJ DG413DJ-E3
	16-pin narrow SOIC	DG411DY DG411DY-E3 DG411DY-T1 DG411DY-T1-E3
		DG412DY DG412DY-E3 DG412DY-T1 DG412DY-T1-E3
		DG413DY DG413DY-E3 DG413DY-T1 DG413DY-T1-E3
	16-pin TSSOP	DG411DQ-E3 DG411DQ-T1-E3
		DG412DQ-E3 DG412DQ-T1-E3
		DG413DQ-E3 DG413DQ-T1-E3

ABSOLUTE MAXIMUM RATINGS			
Parameter	Limit	Unit	
V + to V -	44	V	
GND to V -	25		
V _L	(GND - 0.3) to (V+) + 0.3		
Digital Inputs ^a , V _S , V _D	(V-) -2 to (V+) + 2 or 30 mA, whichever occurs first		
Continuous Current (Any terminal)	30	mA	
Peak Current, S or D (Pulsed at 1 ms, 10 % duty cycle)	100		
Storage Temperature	(AK, AZ suffix)	- 65 to 150	°C
	(DJ, DY suffix)	- 65 to 125	
Power Dissipation (Package) ^b	16-pin plastic DIP ^c	470	mW
	16-pin narrow SOIC ^d	600	
	16-pin CerDIP ^e	900	
	LCC-20 ^e	900	

Notes:

- a. Signals on S_x, D_x, or IN_x exceeding V + or V - will be clamped by internal diodes. Limit forward diode current to maximum current ratings.
- b. All leads welded or soldered to PC board.
- c. Derate 6 mW/°C above 25 °C.
- d. Derate 7.6 mW/°C above 75 °C.
- e. Derate 12 mW/°C above 75 °C.



SPECIFICATIONS ^a									
Parameter	Symbol	Test Conditions Unless Specified V ₊ = 15 V, V ₋ = -15 V V _L = 5 V, V _{IN} = 2.4 V, 0.8 V ^f	Temp. ^b	Typ. ^c	A Suffix - 55 °C to 125 °C		D Suffix - 40 °C to 85 °C		Unit
					Min. ^d	Max. ^d	Min. ^d	Max. ^d	
Analog Switch									
Analog Signal Range ^e	V _{ANALOG}		Full		- 15	15	- 15	15	V
Drain-Source On-Resistance	R _{DS(on)}	V ₊ = 13.5 V, V ₋ = -13.5 V I _S = -10 mA, V _D = ± 8.5 V	Room Full	25		35 45		35 45	Ω
Switch Off Leakage Current	I _{S(off)}	V ₊ = 16.5 V, V ₋ = -16.5 V V _D = ± 15.5 V, V _S = ± 15.5 V	Room Full	± 0.1	- 0.25 - 20	0.25 20	- 0.25 - 5	0.25 5	nA
	I _{D(off)}		Room Full	± 0.1	- 0.25 - 20	0.25 20	- 0.25 - 5	0.25 5	
Channel On Leakage Current	I _{D(on)}	V ₊ = 16.5 V, V ₋ = -16.5 V V _S = V _D = ± 15.5 V	Room Full	± 0.1	- 0.4 - 40	0.4 40	- 0.4 - 10	0.4 10	
Digital Control									
Input Current, V _{IN} Low	I _{IL}	V _{IN} under test = 0.8 V	Full	0.005	- 0.5	0.5	- 0.5	0.5	μA
Input Current, V _{IN} High	I _{IH}	V _{IN} under test = 2.4 V	Full	0.005	- 0.5	0.5	- 0.5	0.5	
Dynamic Characteristics									
Turn-On Time	t _{ON}	R _L = 300 Ω, C _L = 35 pF V _S = ± 10 V, see figure 2	Room Full	110		175 240		175 220	ns
Turn-Off Time	t _{OFF}		Room Full	100		145 160		145 160	
Break-Before-Make Time Delay	t _D	DG413 only, V _S = 10 V R _L = 300 Ω, C _L = 35 pF	Room	25					
Charge Injection	Q	V _g = 0 V, R _g = 0 Ω C _L = 10 nF	Room	5					pC
Off Isolation ^e	OIRR	R _L = 50 Ω, C _L = 5 pF, f = 1 MHz	Room	68					dB
Channel-to-Channel Crosstalk ^e	X _{TALK}		Room	85					
Source Off Capacitance ^e	C _{S(off)}	f = 1 MHz	Room	9					pF
Drain Off Capacitance ^e	C _{D(off)}		Room	9					
Channel On Capacitance ^e	C _{D(on)}		Room	35					
Power Supplies									
Positive Supply Current	I ₊	V ₊ = 16.5 V, V ₋ = -16.5 V V _{IN} = 0 V or 5 V	Room Full	0.0001		1 5		1 5	μA
Negative Supply Current	I ₋		Room Full	- 0.0001	- 1 - 5		- 1 - 5		
Logic Supply Current	I _L		Room Full	0.0001		1 5		1 5	
Ground Current	I _{GND}		Room Full	- 0.0001	- 1 - 5		- 1 - 5		

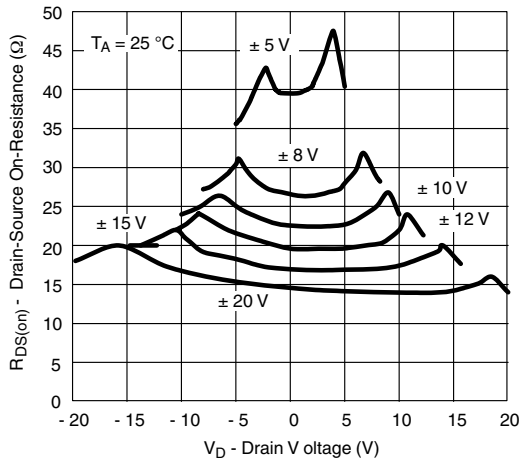
SPECIFICATIONS ^a (for Unipolar Supplies)									
Parameter	Symbol	Test Conditions Unless Specified V ₊ = 12 V, V ₋ = 0 V V _L = 5 V, V _{IN} = 2.4 V, 0.8 V ^f	Temp. ^b	Typ. ^c	A Suffix - 55 °C to 125 °C		D Suffix - 40 °C to 85 °C		Unit
					Min. ^d	Max. ^d	Min. ^d	Max. ^d	
Analog Switch									
Analog Signal Range ^e	V _{ANALOG}		Full			12		12	V
Drain-Source On-Resistance	R _{DS(on)}	V ₊ = 10.8 V, I _S = - 10 mA, V _D = 3 V, 8 V	Room Full	40		80 100		80 100	Ω
Dynamic Characteristics									
Turn-On Time	t _{ON}	R _L = 300 Ω, C _L = 35 pF V _S = 8 V, see figure 2	Room Hot	175		250 400		250 315	ns
Turn-Off Time	t _{OFF}		Room Hot	95		125 140		125 140	
Break-Before-Make Time Delay	t _D	DG413 only, V _S = 8 V R _L = 300 Ω, C _L = 35 pF	Room	25					
Charge Injection	Q	V _g = 6 V, R _g = 0 Ω, C _L = 10 nF	Room	25					pC
Power Supplies									
Positive Supply Current	I ₊	V ₊ = 13.5 V, V _{IN} = 0 V or 5 V	Room Hot	0.0001		1 5		1 5	μA
Negative Supply Current	I ₋		Room Hot	- 0.0001	- 1 - 5		- 1 - 5		
Logic Supply Current	I _L		Room Hot	0.0001		1 5		1 5	
Ground Current	I _{GND}		Room Hot	- 0.0001	- 1 - 5		- 5		

Notes:

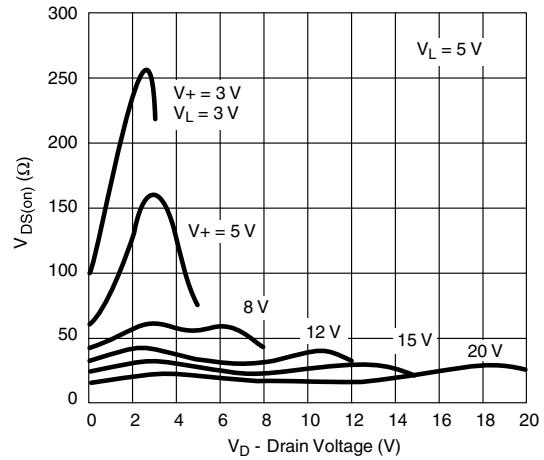
- a. Refer to process option flowchart.
- b. Room = 25 °C, Full = as determined by the operating temperature suffix.
- c. Typical values are for DESIGN AID ONLY, not guaranteed nor subject to production testing.
- d. The algebraic convention whereby the most negative value is a minimum and the most positive a maximum, is used in this data sheet.
- e. Guaranteed by design, not subject to production test.
- f. V_{IN} = input voltage to perform proper function.

Stresses beyond those listed under "Absolute Maximum Ratings" may cause permanent damage to the device. These are stress ratings only, and functional operation of the device at these or any other conditions beyond those indicated in the operational sections of the specifications is not implied. Exposure to absolute maximum rating conditions for extended periods may affect device reliability.

TYPICAL CHARACTERISTICS (25 °C, unless otherwise noted)



On-Resistance vs. V_D and Power Supply Voltage

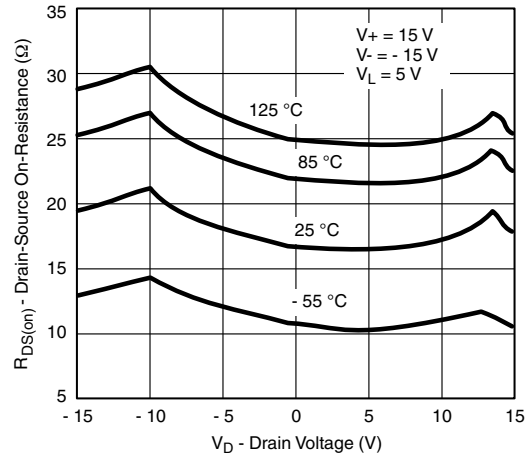


On-Resistance vs. V_D and Unipolar Supply Voltage

TYPICAL CHARACTERISTICS (25 °C, unless otherwise noted)



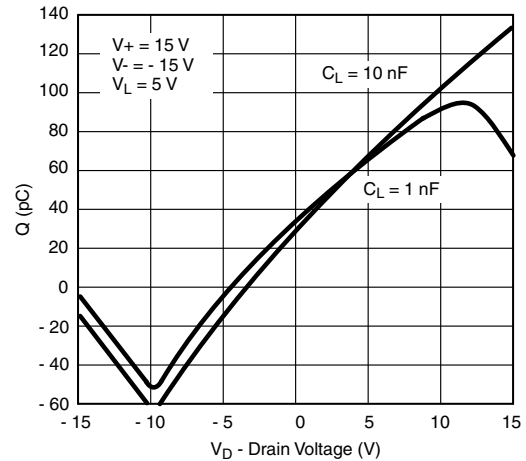
Leakage Current vs. Analog Voltage



I_D, I_S Leakages vs. Temperature



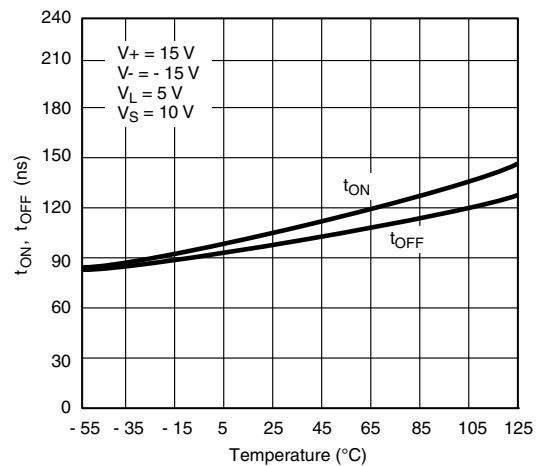
Charge Injection vs. Analog Voltage



Charge Injection vs. Analog Voltage



Input Switching Threshold vs. Supply Voltage



Switching Time vs. Temperature

TYPICAL CHARACTERISTICS (25 °C, unless otherwise noted)



Supply Current vs. Input Switching Frequency

SCHEMATIC DIAGRAM (Typical Channel)

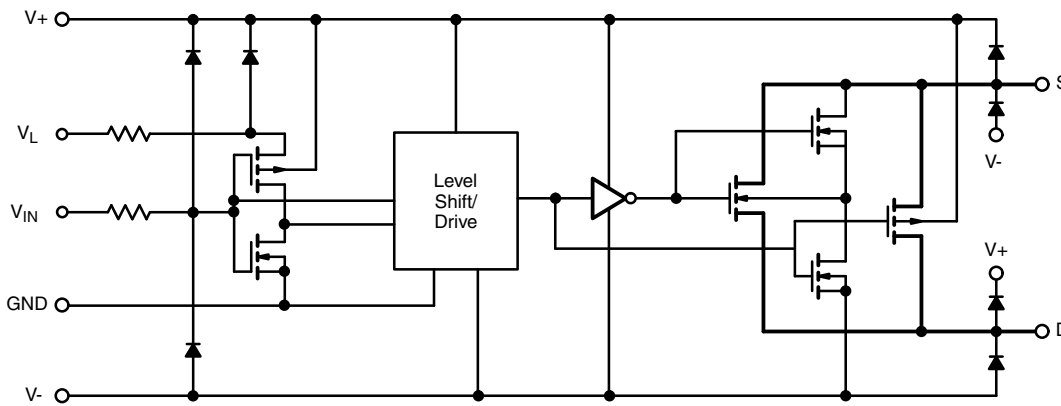
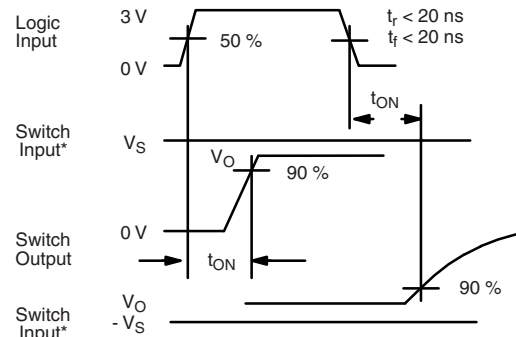
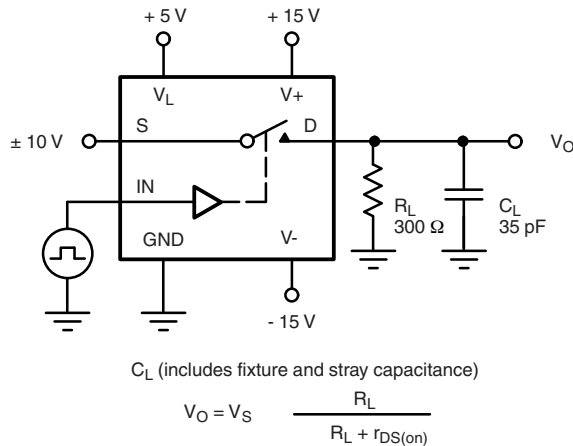


Figure 1.

TEST CIRCUITS



* $V_S = 10\text{ V}$ for t_{ON} , $V_S = -10\text{ V}$ for t_{OFF}

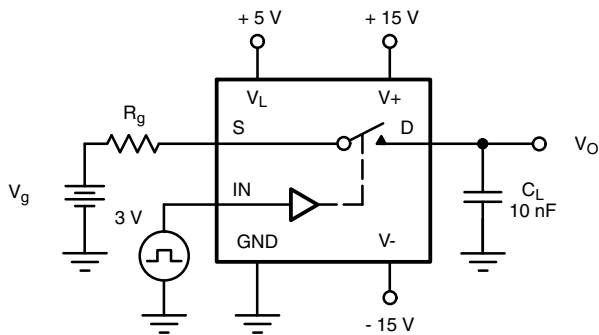
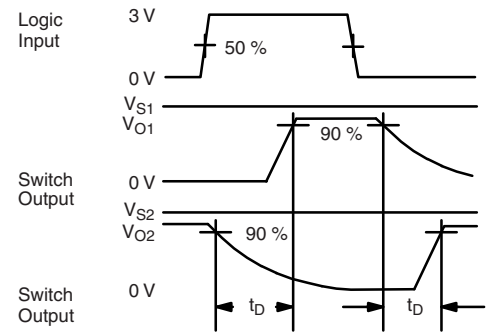
Note: Logic input waveform is inverted for switches that have the opposite logic sense control

Figure 2. Switching Time

TEST CIRCUITS



Figure 3. Break-Before-Make (DG413)



IN_X dependent on switch configuration Input polarity determined by sense of switch.

Figure 4. Charge Injection



Figure 5. Crosstalk



Figure 6. Off Isolation

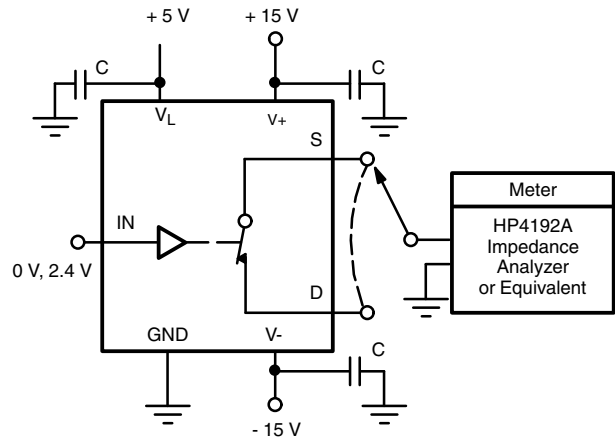


Figure 7. Source/Drain Capacitances

APPLICATIONS

Single Supply Operation:

The DG411, DG412, DG413 can be operated with unipolar supplies from 5 V to 44 V. These devices are characterized and tested for unipolar supply operation at 12 V to facilitate the majority of applications. In single supply operation, V+ is tied to VL and V- is tied to 0 V. See Input Switching Threshold vs. Supply Voltage curve for VL versus input threshold requirements.

Summing Amplifier

When driving a high impedance, high capacitance load such as shown in figure 8, where the inputs to the summing amplifier have some noise filtering, it is necessary to have shunt switches for rapid discharge of the filter capacitor, thus preventing offsets from occurring at the output.

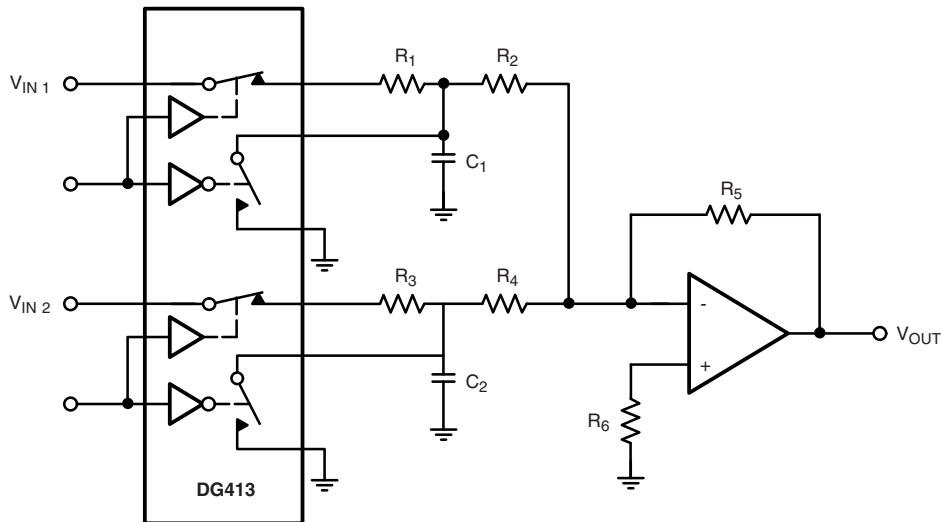


Figure 8. Summing Amplifier

Vishay Siliconix maintains worldwide manufacturing capability. Products may be manufactured at one of several qualified locations. Reliability data for Silicon Technology and Package Reliability represent a composite of all qualified locations. For related documents such as package/tape drawings, part marking, and reliability data, see www.vishay.com/ppg?70050.



SOIC (NARROW): 16-LEAD
JEDEC Part Number: MS-012

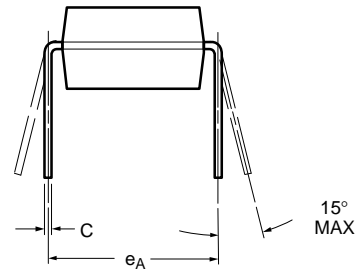


Dim	MILLIMETERS		INCHES	
	Min	Max	Min	Max
A	1.35	1.75	0.053	0.069
A ₁	0.10	0.20	0.004	0.008
B	0.38	0.51	0.015	0.020
C	0.18	0.23	0.007	0.009
D	9.80	10.00	0.385	0.393
E	3.80	4.00	0.149	0.157
e	1.27 BSC		0.050 BSC	
H	5.80	6.20	0.228	0.244
L	0.50	0.93	0.020	0.037
∅	0°	8°	0°	8°

ECN: S-03946—Rev. F, 09-Jul-01
DWG: 5300



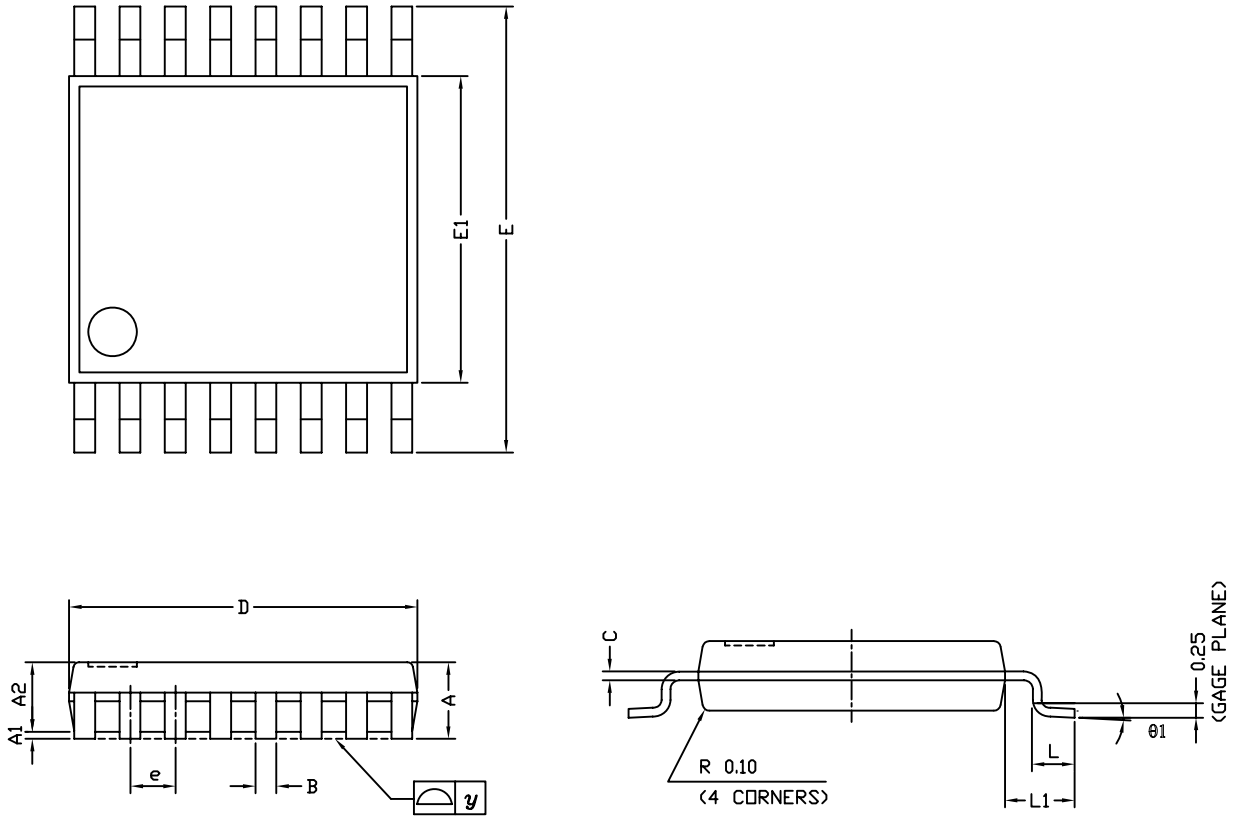
PDIP: 16-LEAD



Dim	MILLIMETERS		INCHES	
	Min	Max	Min	Max
A	3.81	5.08	0.150	0.200
A₁	0.38	1.27	0.015	0.050
B	0.38	0.51	0.015	0.020
B₁	0.89	1.65	0.035	0.065
C	0.20	0.30	0.008	0.012
D	18.93	21.33	0.745	0.840
E	7.62	8.26	0.300	0.325
E₁	5.59	7.11	0.220	0.280
e₁	2.29	2.79	0.090	0.110
e_A	7.37	7.87	0.290	0.310
L	2.79	3.81	0.110	0.150
Q₁	1.27	2.03	0.050	0.080
S	0.38	1.52	.015	0.060

ECN: S-03946—Rev. D, 09-Jul-01
DWG: 5482

TSSOP: 16-LEAD



Symbols	DIMENSIONS IN MILLIMETERS		
	Min	Nom	Max
A	-	1.10	1.20
A1	0.05	0.10	0.15
A2	-	1.00	1.05
B	0.22	0.28	0.38
C	-	0.127	-
D	4.90	5.00	5.10
E	6.10	6.40	6.70
E1	4.30	4.40	4.50
e	-	0.65	-
L	0.50	0.60	0.70
L1	0.90	1.00	1.10
y	-	-	0.10
θ1	0°	3°	6°

ECN: S-61920-Rev. D, 23-Oct-06
DWG: 5624

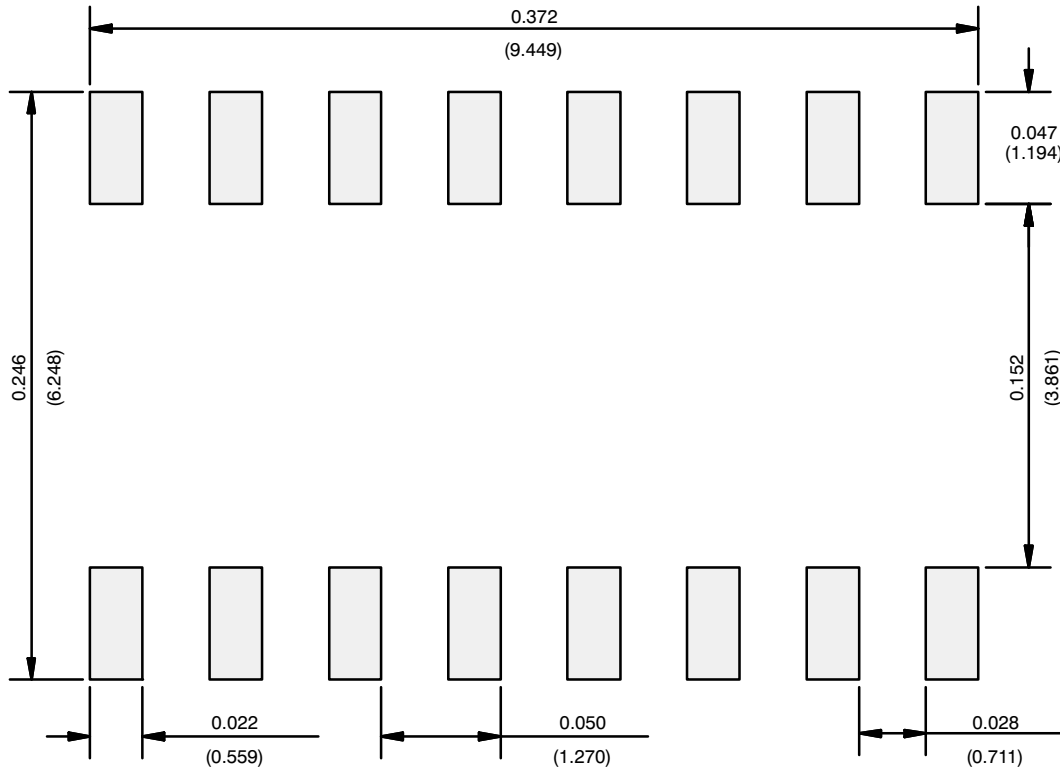


RECOMMENDED MINIMUM PAD FOR TSSOP-16



Recommended Minimum Pads
Dimensions in inches (mm)

RECOMMENDED MINIMUM PADS FOR SO-16



Recommended Minimum Pads
Dimensions in Inches/(mm)

[Return to Index](#)



Disclaimer

ALL PRODUCT, PRODUCT SPECIFICATIONS AND DATA ARE SUBJECT TO CHANGE WITHOUT NOTICE TO IMPROVE RELIABILITY, FUNCTION OR DESIGN OR OTHERWISE.

Vishay Intertechnology, Inc., its affiliates, agents, and employees, and all persons acting on its or their behalf (collectively, "Vishay"), disclaim any and all liability for any errors, inaccuracies or incompleteness contained in any datasheet or in any other disclosure relating to any product.

Vishay makes no warranty, representation or guarantee regarding the suitability of the products for any particular purpose or the continuing production of any product. To the maximum extent permitted by applicable law, Vishay disclaims (i) any and all liability arising out of the application or use of any product, (ii) any and all liability, including without limitation special, consequential or incidental damages, and (iii) any and all implied warranties, including warranties of fitness for particular purpose, non-infringement and merchantability.

Statements regarding the suitability of products for certain types of applications are based on Vishay's knowledge of typical requirements that are often placed on Vishay products in generic applications. Such statements are not binding statements about the suitability of products for a particular application. It is the customer's responsibility to validate that a particular product with the properties described in the product specification is suitable for use in a particular application. Parameters provided in datasheets and / or specifications may vary in different applications and performance may vary over time. All operating parameters, including typical parameters, must be validated for each customer application by the customer's technical experts. Product specifications do not expand or otherwise modify Vishay's terms and conditions of purchase, including but not limited to the warranty expressed therein.

Except as expressly indicated in writing, Vishay products are not designed for use in medical, life-saving, or life-sustaining applications or for any other application in which the failure of the Vishay product could result in personal injury or death. Customers using or selling Vishay products not expressly indicated for use in such applications do so at their own risk. Please contact authorized Vishay personnel to obtain written terms and conditions regarding products designed for such applications.

No license, express or implied, by estoppel or otherwise, to any intellectual property rights is granted by this document or by any conduct of Vishay. Product names and markings noted herein may be trademarks of their respective owners.

X-ON Electronics

Largest Supplier of Electrical and Electronic Components

Click to view similar products for [Analog Switch ICs](#) category:

Click to view products by [Vishay](#) manufacturer:

Other Similar products are found below :

[PI5A100QEX](#) [DG9233EDY-GE3](#) [NLAS4684FCTCG](#) [NLAS5223BLMNR2G](#) [NLV74HC4066ADR2G](#) [MC74HC4067ADTG](#)
[NLX2G66DMUTCG](#) [NS5A4684SMNTAG](#) [732480R](#) [733995E](#) [425541DB](#) [425528R](#) [099044FB](#) [FSA221UMX](#) [MAX4888ETI+T](#)
[NLAS5123MNR2G](#) [NLAS7222AMTR2G](#) [MAX14807ECB+](#) [MAX4968ECM+](#) [PI5A4157CEX](#) [NLV14066BDG](#) [LC78615E-01US-H](#)
[PI5A4599BCEX](#) [PI5A3157BZUEX](#) [NLAS4717EPFCT1G](#) [PI5A3167CCEX](#) [MAX4744ELB+T](#) [MAX4802ACXZ+](#) [SLAS3158MNR2G](#)
[PI5A392AQE](#) [MAX4744HELB+T](#) [PI5A4157ZUEX](#) [MC74HC4067ADTR2G](#) [PI5A4158ZAEX](#) [PI5A3166TAEX](#) [MAX4901EBL+T](#)
[MAX14510EEVB+T](#) [PI3A3899ZTEX](#) [MAX4996ETG+T](#) [MAX4889AETO+T](#) [MAX14508EEVB+T](#) [MAX4701ETE+T](#) [MAX4996LETG+T](#)
[NLX2G66FCTAG](#) [TMUX136RSER](#) [HV2605FG-G](#) [DG302BDJ-E3](#) [ADG741BKSZ-REEL](#) [ADG742BKSZ5-REEL7](#) [PI5A100WE](#)