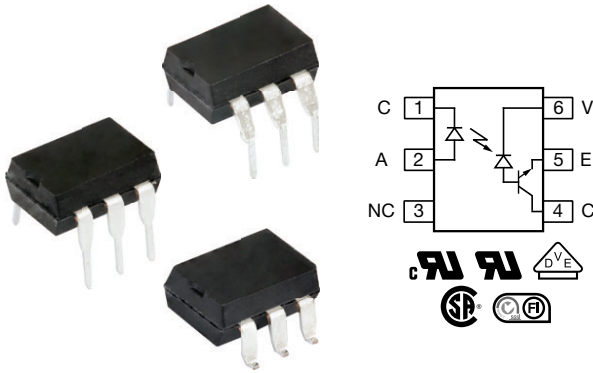


# High Speed Optocoupler, 1 MBd, Transistor Output



## FEATURES

- High CMR of 10 kV/μs
- High speed optocoupler without base connection
- Integrated detector with photo diode and transistor
- TTL compatible  
Guaranteed DC performance overtemperature: 0 °C to 70 °C
- Open collector output
- Supply voltage up to 30 V
- Material categorization: for definitions of compliance please see [www.vishay.com/doc?99912](http://www.vishay.com/doc?99912)



## ADDITIONAL RESOURCES



## DESCRIPTION

The SFH636 is an optocoupler with a GaAlAs infrared emitting diode, optically coupled to an integrated photo detector consisting of a photo diode and a high speed transistor in a low pinout DIP-6 package. The device is functionally similar to 6N136 except there is no base connection and the foot print is different. Noise and common mode rejection performance is enhanced by not bringing out the base connection.

Signals can be transmitted between two electrically separated circuits up to frequencies of 2 MHz.

## APPLICATIONS

- Data communications
- Programmable controllers
- IGBT logic and MOSFET driver stages
- IPM drivers

## AGENCY APPROVALS

- [UL1577](#)
- [cUL](#)
- [DIN EN 60747-5-5 \(VDE 0884-5\) available with option 1](#)
- [CSA](#)
- [FIMKO](#)

ORDERING INFORMATION	
<div style="display: flex; justify-content: space-around; align-items: center;"> <div style="border: 1px solid black; padding: 2px 5px;">S</div> <div style="border: 1px solid black; padding: 2px 5px;">F</div> <div style="border: 1px solid black; padding: 2px 5px;">H</div> <div style="border: 1px solid black; padding: 2px 5px;">6</div> <div style="border: 1px solid black; padding: 2px 5px;">3</div> <div style="border: 1px solid black; padding: 2px 5px;">6</div> <div style="border: 1px solid black; padding: 2px 5px;">-</div> <div style="border: 1px solid black; padding: 2px 5px;">X</div> <div style="border: 1px solid black; padding: 2px 5px;">0</div> <div style="border: 1px solid black; padding: 2px 5px;">#</div> <div style="border: 1px solid black; padding: 2px 5px;">#</div> <div style="border: 1px solid black; padding: 2px 5px;">T</div> </div> <p style="text-align: center;"> <span style="margin-right: 100px;">PART NUMBER</span> <span style="margin-right: 100px;">PACKAGE OPTION</span> <span>TAPE AND REEL</span> </p>	
<b>AGENCY CERTIFIED/PACKAGE</b>	<b>CTR (%)</b>
<b>UL</b>	<b>≥ 19</b>
DIP-6	SFH636
SMD-6, option 7	SFH636-X007T
<b>VDE, UL</b>	<b>≥ 19</b>
DIP-6	SFH636-X001
DIP-6, option 6	SFH636-X016
SMD-6, option 7	SFH636-X017T

### Note

- Additional options may be possible, please contact sales office



<b>ABSOLUTE MAXIMUM RATINGS</b> ( $T_{amb} = 25\text{ }^{\circ}\text{C}$ , unless otherwise specified)				
PARAMETER	CONDITIONS	SYMBOL	VALUE	UNIT
<b>INPUT</b>				
Reverse voltage		$V_R$	3.0	V
DC forward current		$I_F$	25	mA
Surge forward current	$t_p \leq 1.0\text{ }\mu\text{s}$ , 300 pulses/s	$I_{FSM}$	1.0	A
Power dissipation		$P_{diss}$	45	mW
<b>OUTPUT</b>				
Supply voltage		$V_S$	-0.5 to +30	V
Output voltage		$V_O$	-0.5 to +20	V
Output current		$I_O$	8	mA
Power dissipation		$P_{diss}$	100	mW
<b>COUPLER</b>				
Storage temperature range		$T_{stg}$	-55 to +150	$^{\circ}\text{C}$
Ambient temperature range		$T_{amb}$	-55 to +100	$^{\circ}\text{C}$
Junction temperature		$T_j$	100	$^{\circ}\text{C}$
Soldering temperature	Max. 10 s, dip soldering: distance to seating plane $\geq 1.5\text{ mm}$	$T_{sld}$	260	$^{\circ}\text{C}$
Power dissipation		$P_{diss}$	145	mW

**Note**

- Stresses in excess of the absolute maximum ratings can cause permanent damage to the device. Functional operation of the device is not implied at these or any other conditions in excess of those given in the operational sections of this document. Exposure to absolute maximum ratings for extended periods of the time can adversely affect reliability

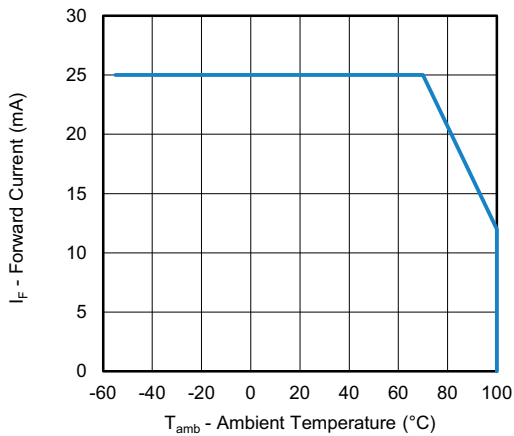


Fig. 1 - Forward Current vs. Ambient Temperature

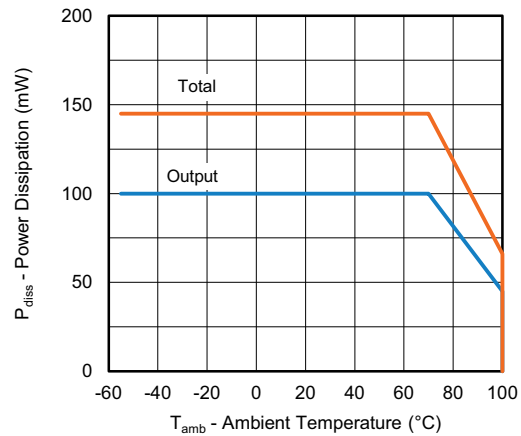


Fig. 2 - Power Dissipation vs. Ambient Temperature

<b>ELECTRICAL CHARACTERISTICS</b> ( $T_{amb} = 0\text{ }^{\circ}\text{C}$ to $70\text{ }^{\circ}\text{C}$ ; typical values are at $T_{amb} = 25\text{ }^{\circ}\text{C}$ )						
PARAMETER	TEST CONDITION	SYMBOL	MIN.	TYP.	MAX.	UNIT
<b>INPUT</b>						
Forward voltage	$I_F = 16\text{ mA}$	$V_F$	-	1.3	1.8	V
Reverse current	$V_R = 3\text{ V}$	$I_R$	-	0.5	10	$\mu\text{A}$
Input capacitance	$V_R = 0\text{ V}, f = 1\text{ MHz}$	$C_{IN}$	-	20	-	pF
<b>OUTPUT</b>						
Low level supply current	$I_F = 16\text{ mA}, V_O = \text{open}, V_{CC} = 15\text{ V}$	$I_{CCL}$	-	150	-	$\mu\text{A}$
High level supply current	$I_F = 0\text{ V}, V_O = \text{open}, V_{CC} = 15\text{ V}^{(1)}$	$I_{CCH}$	-	0.01	1	$\mu\text{A}$
	$I_F = 0\text{ V}, V_O = \text{open}, V_{CC} = 15\text{ V}$	$I_{CCH}$	-	0.01	2	$\mu\text{A}$
High level output current	$I_F = 0\text{ V}, V_O = \text{open}, V_{CC} = 5.5\text{ V}^{(1)}$	$I_{OH}$	-	0.001	0.5	$\mu\text{A}$
	$I_F = 0\text{ V}, V_O = \text{open}, V_{CC} = 15\text{ V}^{(1)}$	$I_{OH}$	-	0.001	1	$\mu\text{A}$
	$I_F = 0\text{ V}, V_O = \text{open}, V_{CC} = 15\text{ V}$	$I_{OH}$	-	-	50	$\mu\text{A}$
Collector emitter capacitance	$V_{CE} = 5\text{ V}, f = 1\text{ MHz}$	$C_{CE}$	-	3	-	pF
<b>COUPLER</b>						
Coupling capacitance		$C_{IO}$	-	0.6	-	pF
Collector emitter saturation voltage	$I_F = 16\text{ mA}, I_O = 2.4\text{ mA}, V_{CC} = 4.5\text{ V}^{(1)}$	$V_{OL}$	-	0.1	0.4	V

**Notes**

- Minimum and maximum values are testing requirements. Typical values are characteristics of the device and are the result of engineering evaluation. Typical values are for information only and are not part of the testing requirements

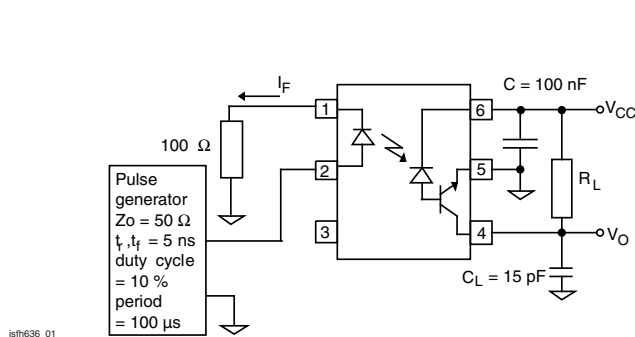
 (1)  $T_{amb} = 25\text{ }^{\circ}\text{C}$ 


Fig. 3 - Test Setup

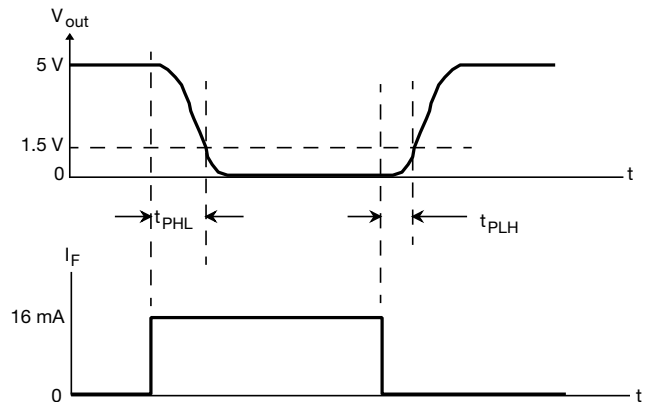


Fig. 4 - Switching Time Measurement

<b>CURRENT TRANSFER RATIO</b> ( $T_{amb} = 0\text{ }^{\circ}\text{C}$ to $70\text{ }^{\circ}\text{C}$ ; typical values are at $T_{amb} = 25\text{ }^{\circ}\text{C}$ )						
PARAMETER	TEST CONDITION	SYMBOL	MIN.	TYP.	MAX.	UNIT
$I_C/I_F$	$I_F = 16\text{ mA}, V_O = 0.4\text{ V}, V_{CC} = 4.5\text{ V}^{(1)}$	CTR	19	30	-	%
	$I_F = 16\text{ mA}, V_O = 0.5\text{ V}, V_{CC} = 4.5\text{ V}$	CTR	15	-	-	%

**Note**

 (1)  $T_{amb} = 25\text{ }^{\circ}\text{C}$ 

<b>SWITCHING CHARACTERISTICS</b> ( $T_{amb} = 25\text{ }^{\circ}\text{C}$ )						
PARAMETER	TEST CONDITION	SYMBOL	MIN.	TYP.	MAX.	UNIT
Propagation delay time (high to low)	$I_F = 16\text{ mA}, V_{CC} = 5.0\text{ V}, R_L = 1.9\text{ k}\Omega$	$t_{PHL}$	-	-	0.8	$\mu\text{s}$
Propagation delay time (low to low)	$I_F = 16\text{ mA}, V_{CC} = 5.0\text{ V}, R_L = 1.9\text{ k}\Omega$	$t_{PLH}$	-	-	0.8	$\mu\text{s}$

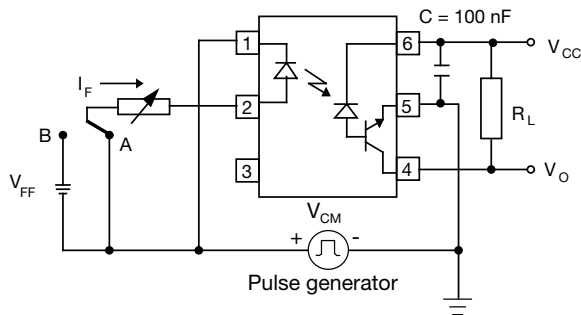


Fig. 5 - Common Mode Transient Test

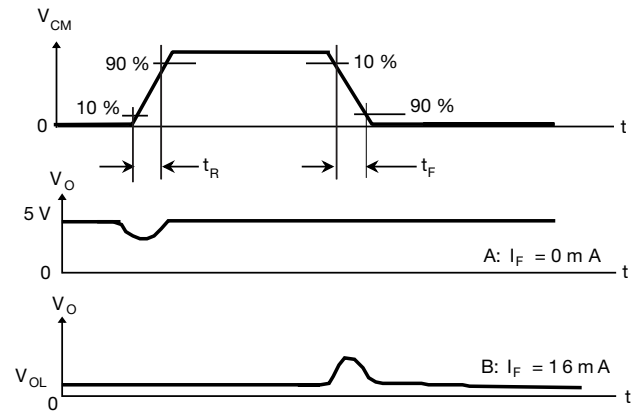


Fig. 6 - Measurement Waveform of CMR

COMMON MODE TRANSIENT IMMUNITY ( $T_{amb} = 25\text{ }^{\circ}\text{C}$ )						
PARAMETER	TEST CONDITION	SYMBOL	MIN.	TYP.	MAX.	UNIT
Common mode transient immunity (high)	$I_F = 0\text{ mA}$ , $V_{CM} = 1500\text{ V}_{PP}$ , $R_L = 1.9\text{ k}\Omega$ , $V_{CC} = 5.0\text{ V}$	$ CM_H $	-	10 000	-	$\text{V}/\mu\text{s}$
Common mode transient immunity (low)	$I_F = 16\text{ mA}$ , $V_{CM} = 1500\text{ V}_{PP}$ , $R_L = 1.9\text{ k}\Omega$ , $V_{CC} = 5.0\text{ V}$	$ CM_L $	-	10 000	-	$\text{V}/\mu\text{s}$

SAFETY AND INSULATION RATINGS ( $T_{amb} = 25\text{ }^{\circ}\text{C}$ , unless otherwise specified)				
PARAMETER	TEST CONDITION	SYMBOL	VALUE	UNIT
Climatic classification	According to IEC 68 part 1		55/100/21	
Pollution degree	According to DIN VDE 0109		2	
Comparative tracking index	Insulation group IIIa	CTI	175	
Maximum rated withstanding isolation voltage	According to UL1577, $t = 1\text{ min}$	$V_{ISO}$	4420	$\text{V}_{RMS}$
Tested withstanding isolation voltage	According to UL1577, $t = 1\text{ s}$	$V_{ISO}$	5300	$\text{V}_{RMS}$
Maximum transient isolation voltage	According to DIN EN 60747-5-5	$V_{IOTM}$	8000	$\text{V}_{peak}$
Maximum repetitive peak isolation voltage	According to DIN EN 60747-5-5	$V_{IORM}$	890	$\text{V}_{peak}$
Isolation resistance	$T_{amb} = 25\text{ }^{\circ}\text{C}$ , $V_{IO} = 500\text{ V}$	$R_{IO}$	$\geq 10^{12}$	$\Omega$
	$T_{amb} = 100\text{ }^{\circ}\text{C}$ , $V_{IO} = 500\text{ V}$	$R_{IO}$	$\geq 10^{11}$	$\Omega$
Output safety power		$P_{SO}$	700	mW
Input safety current		$I_{SI}$	400	mA
Input safety temperature		$T_S$	175	$^{\circ}\text{C}$
Creepage distance	DIP-6		$\geq 7$	mm
Clearance distance	DIP-6		$\geq 7$	mm
Creepage distance	DIP-6, option 6		$\geq 8$	mm
Clearance distance	DIP-6, option 6		$\geq 8$	mm
Creepage distance	SMD-6, option 7		$\geq 7$	mm
Clearance distance	SMD-6, option 7		$\geq 7$	mm
Insulation thickness		DTI	$\geq 0.4$	mm

**Note**

- As per IEC 60747-5-5, § 7.4.3.8.2, this optocoupler is suitable for "safe electrical insulation" only within the safety ratings. Compliance with the safety ratings shall be ensured by means of protective circuits

**TYPICAL CHARACTERISTICS** ( $T_{amb} = 25\text{ }^{\circ}\text{C}$ , unless otherwise specified)

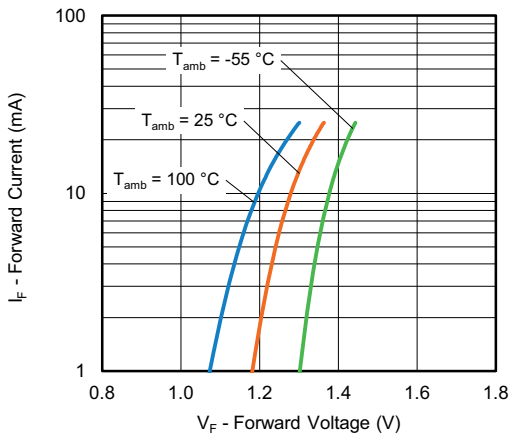


Fig. 7 - Forward Current vs. Forward Voltage

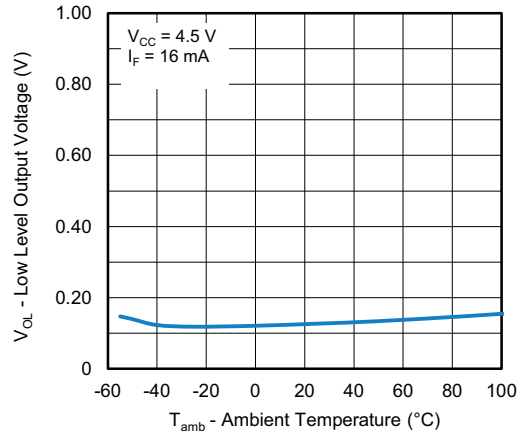


Fig. 10 - Low Level Output Voltage vs. Ambient Temperature

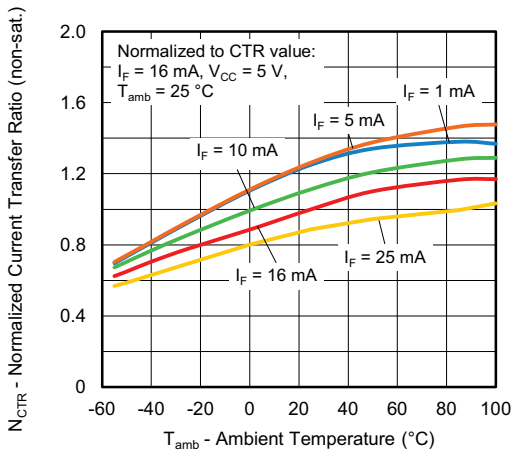


Fig. 8 - Normalized Current Transfer Ratio (non-sat.) vs. Ambient Temperature

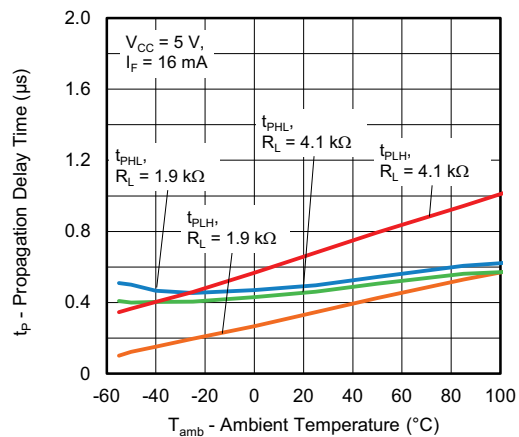


Fig. 11 - Propagation Delay Time vs. Ambient Temperature

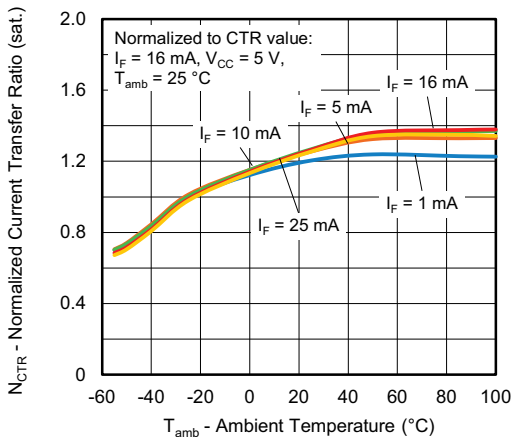
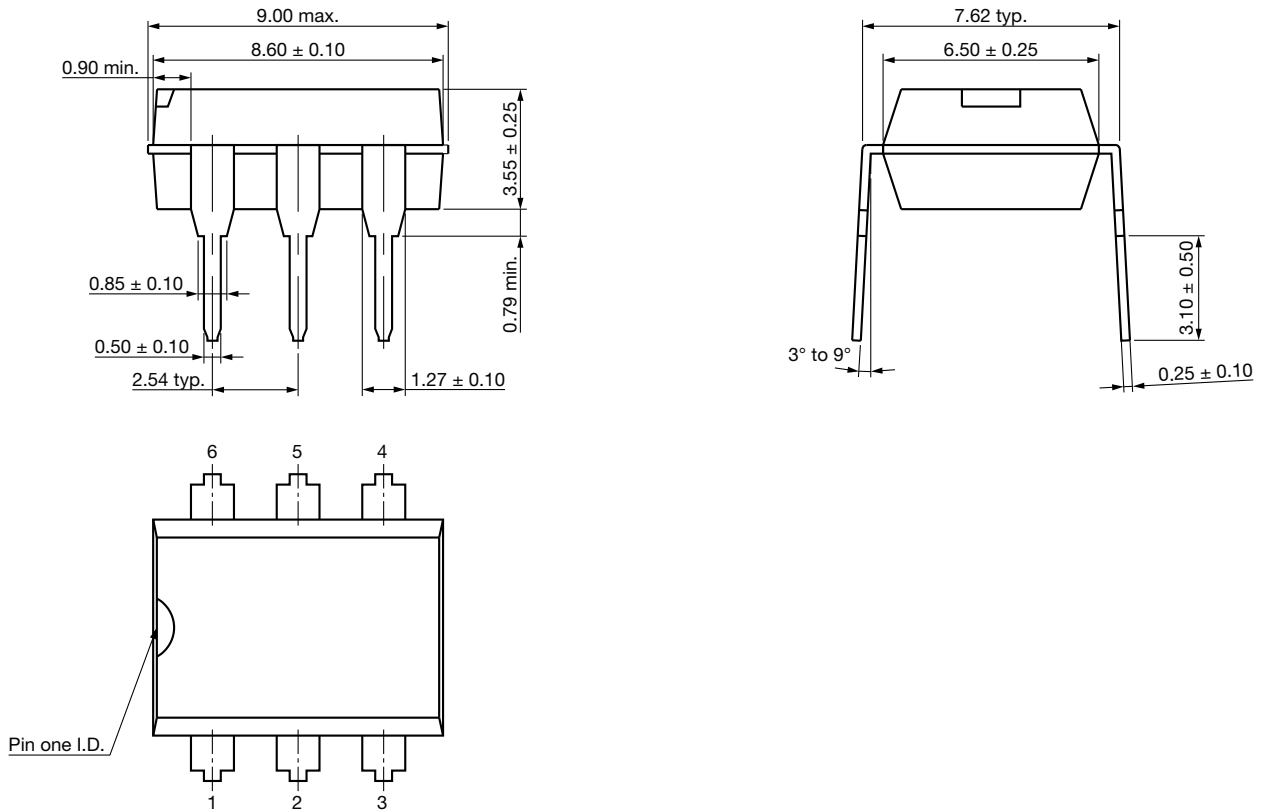


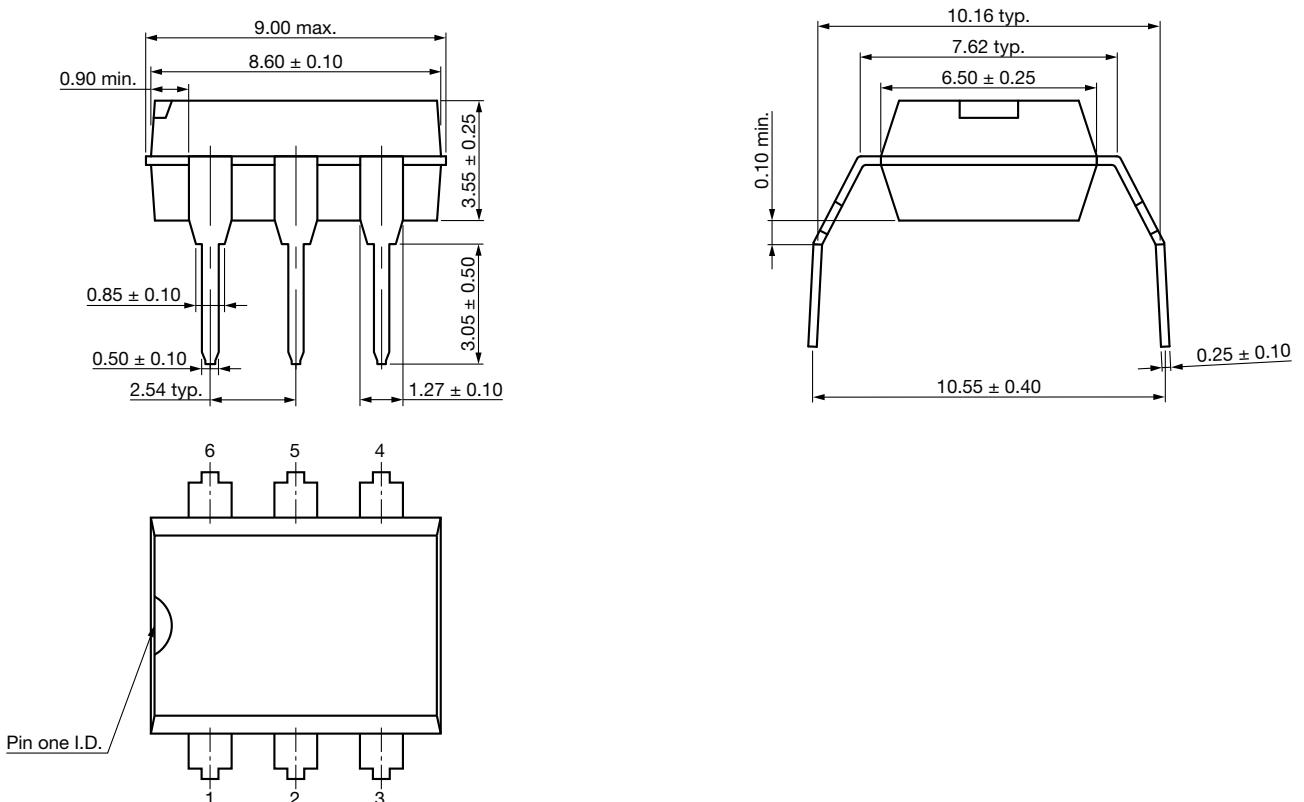
Fig. 9 - Normalized Current Transfer Ratio (sat.) vs. Ambient Temperature

**PACKAGE DIMENSIONS**

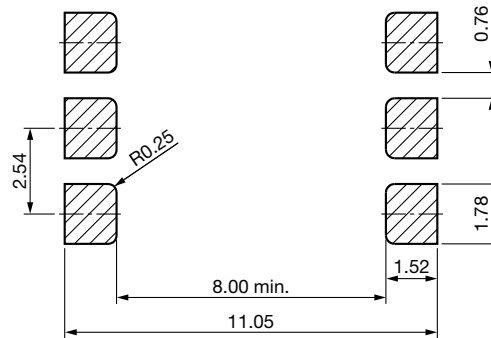
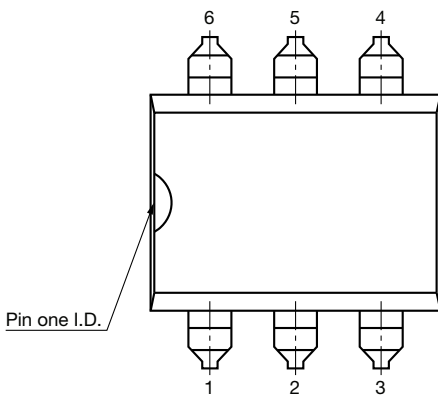
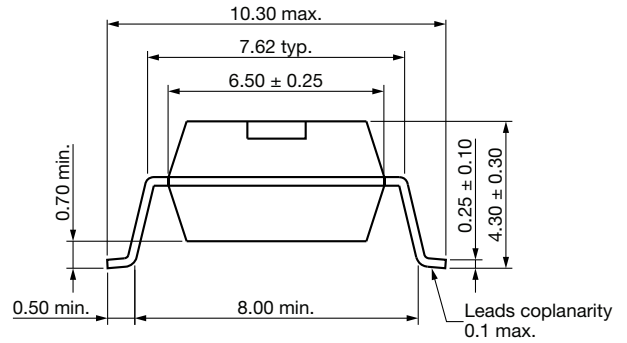
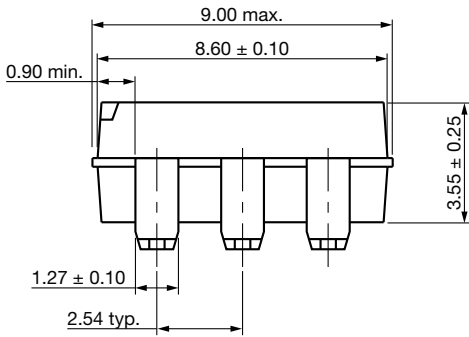
**DIP-6**



**DIP-6, Option 6**



SMD-6, Option 7



PACKAGE MARKING

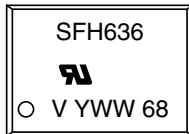


Fig. 12 - Example of SFH636

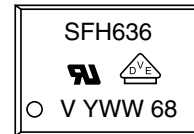


Fig. 13 - Example of SFH636-X017T

Notes

- VDE logo is only marked on option 1 parts
- Tape and reel suffix (T) is not part of the package marking

**PACKING INFORMATION** (in millimeters)

**Tube**

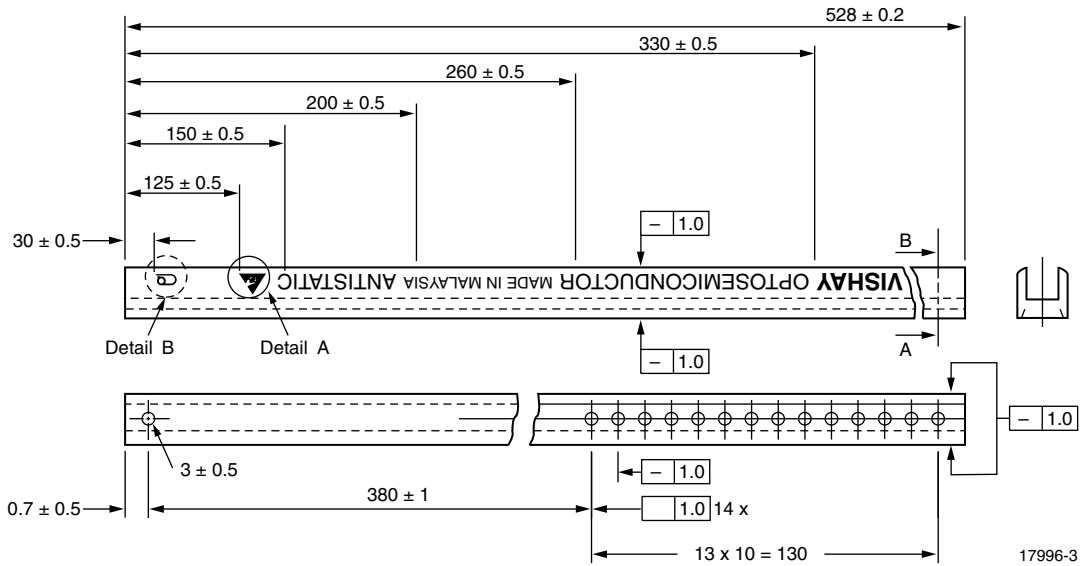


Fig. 14 - Shipping Tube Specifications for DIP-6 Packages

DEVICES PER TUBS			
TYPE	UNITS/TUBE	TUBES/BOX	UNITS/BOX
DIP-6	50	40	2000
DIP-6, option 6	50	40	2000

**DIP-6**

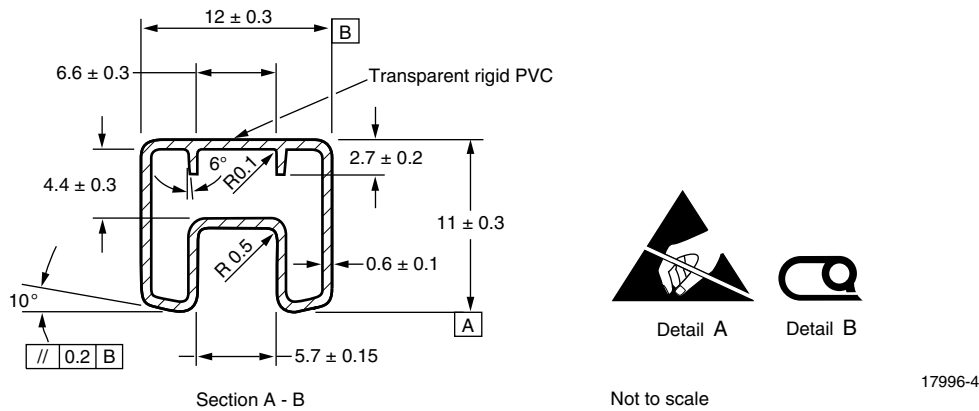


Fig. 15 - Tube Shipping Medium



DIP-6, Option 6

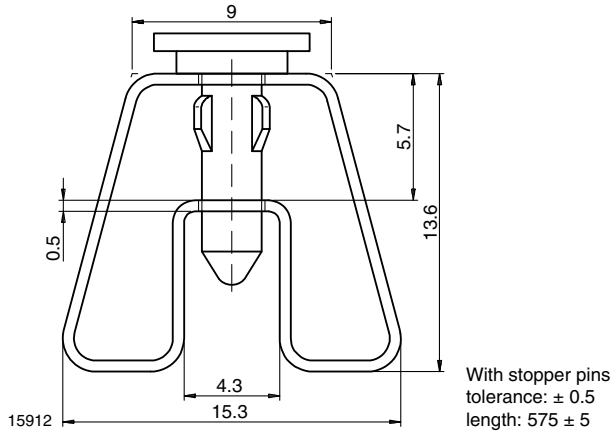
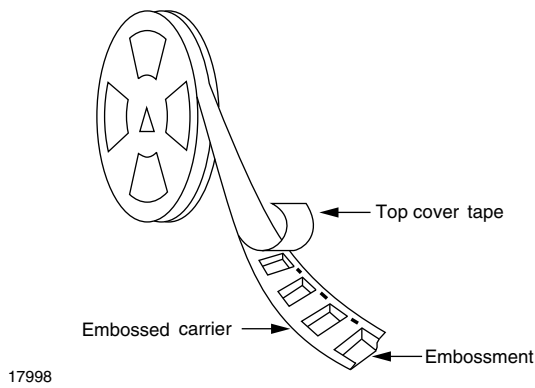


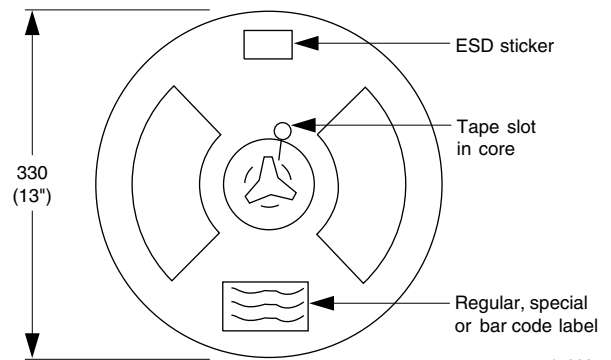
Fig. 16 - Tube Shipping Medium

Tape and Reel



17998

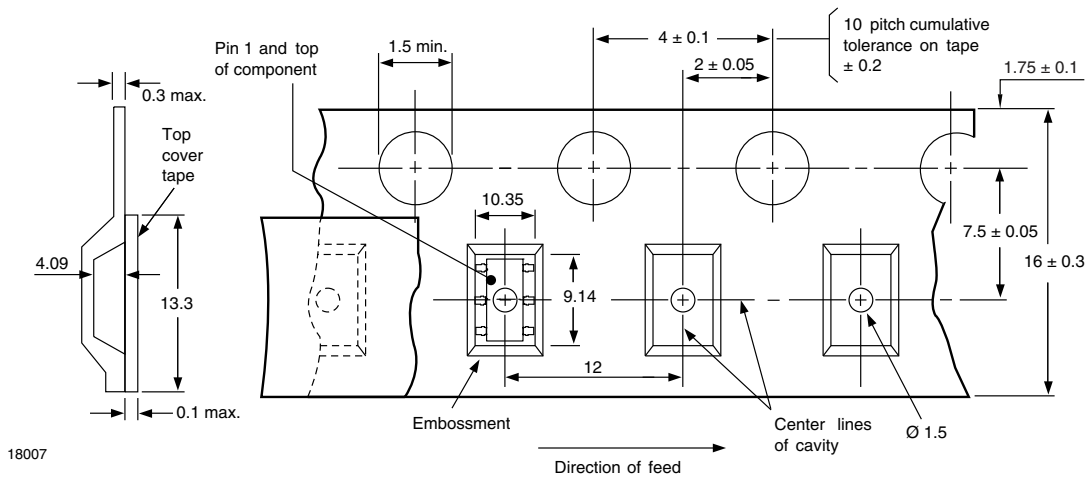
Fig. 17 - Tape and Reel Shipping Medium



17999

Fig. 18 - Tape and Reel Shipping Medium

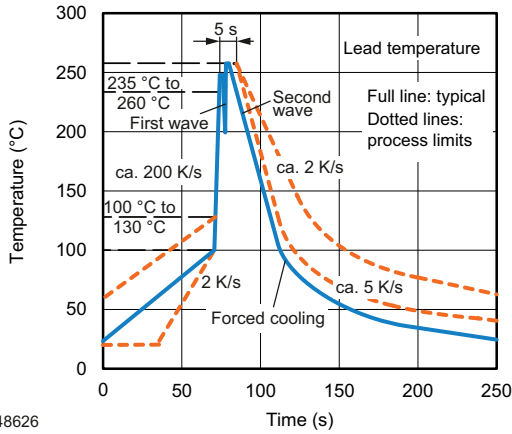
SMD-6, Option 7



18007

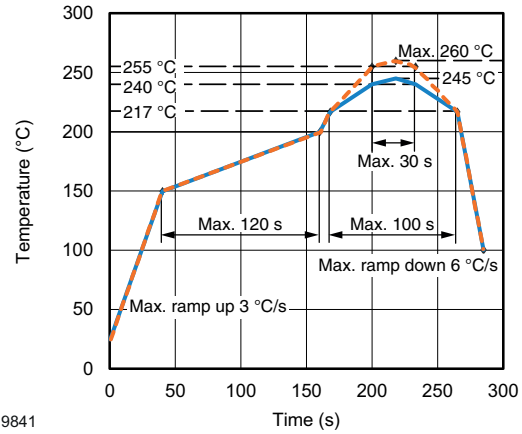
Fig. 19 - Tape and Reel Packing (1000 pieces on Reel)

**SOLDER PROFILES**



948626

Fig. 20 - Wave Soldering Double Wave Profile According to J-STD-020 for DIP Devices



19841

Fig. 21 - Lead (Pb)-free Reflow Solder Profile According to J-STD-020 for SMD Devices

**HANDLING AND STORAGE CONDITIONS**

ESD level: HBM class 2

Floor life: unlimited

Conditions:  $T_{amb} < 30\text{ °C}$ ,  $RH < 85\%$

Moisture sensitivity level 1, according to J-STD-020



## **Disclaimer**

ALL PRODUCT, PRODUCT SPECIFICATIONS AND DATA ARE SUBJECT TO CHANGE WITHOUT NOTICE TO IMPROVE RELIABILITY, FUNCTION OR DESIGN OR OTHERWISE.

Vishay Intertechnology, Inc., its affiliates, agents, and employees, and all persons acting on its or their behalf (collectively, "Vishay"), disclaim any and all liability for any errors, inaccuracies or incompleteness contained in any datasheet or in any other disclosure relating to any product.

Vishay makes no warranty, representation or guarantee regarding the suitability of the products for any particular purpose or the continuing production of any product. To the maximum extent permitted by applicable law, Vishay disclaims (i) any and all liability arising out of the application or use of any product, (ii) any and all liability, including without limitation special, consequential or incidental damages, and (iii) any and all implied warranties, including warranties of fitness for particular purpose, non-infringement and merchantability.

Statements regarding the suitability of products for certain types of applications are based on Vishay's knowledge of typical requirements that are often placed on Vishay products in generic applications. Such statements are not binding statements about the suitability of products for a particular application. It is the customer's responsibility to validate that a particular product with the properties described in the product specification is suitable for use in a particular application. Parameters provided in datasheets and / or specifications may vary in different applications and performance may vary over time. All operating parameters, including typical parameters, must be validated for each customer application by the customer's technical experts. Product specifications do not expand or otherwise modify Vishay's terms and conditions of purchase, including but not limited to the warranty expressed therein.

Except as expressly indicated in writing, Vishay products are not designed for use in medical, life-saving, or life-sustaining applications or for any other application in which the failure of the Vishay product could result in personal injury or death. Customers using or selling Vishay products not expressly indicated for use in such applications do so at their own risk. Please contact authorized Vishay personnel to obtain written terms and conditions regarding products designed for such applications.

No license, express or implied, by estoppel or otherwise, to any intellectual property rights is granted by this document or by any conduct of Vishay. Product names and markings noted herein may be trademarks of their respective owners.

## X-ON Electronics

Largest Supplier of Electrical and Electronic Components

*Click to view similar products for [High Speed Optocouplers](#) category:*

*Click to view products by [Vishay](#) manufacturer:*

Other Similar products are found below :

[TLP558\(F\)](#) [JAN4N24](#) [610737H](#) [HCPL2630M](#) [HCPL2731SM](#) [PS9817A-1-F3-AX](#) [TLP2766A\(LF4,E](#) [EL816S2\(C\)\(TU\)-F](#) [TLP281-4](#)  
[TLP290\(V4GBTP,SE\(T](#) [PS9121-F3-AX](#) [PS9123-F3-AX](#) [TLP5774H\(TP4,E](#) [TLP5771H\(TP,E](#) [HCPL2531S](#) [HCPL2631SD](#) [HCPL-4661-500E](#)  
[TLP118\(TPL,E\)](#) [TLP521-2XGB](#) [TLP621-2XGB](#) [4N46-300E](#) [JANTXV4N24U](#) [SFH6318T](#) [6N135-300E](#) [TIL198](#) [TLP2309\(TPL,E\)](#)  
[TLP2355\(TPL,E](#) [TLP2391\(E\(T](#) [TLP521-4GR](#) [TLP521-4XGB](#) [TLP621-4X](#) [TLP621XSM](#) [IS281-4GB](#) [IS2805-4](#) [IS181GR](#) [ICPL2631](#)  
[ICPL2630](#) [ICPL2531](#) [ICPL2601](#) [TLP2301\(E\(T](#) [TLP714\(F\)](#) [TLP754\(F\)](#) [FOD260LSDV](#) [ACPL-M50L-000E](#) [ACPL-M21L-500E](#) [ACPL-064L-](#)  
[500E](#) [PS2501-1XSM](#) [PS2505-1](#) [PS2913-1-F3-AX](#) [PS9821-2-F3-AX](#)