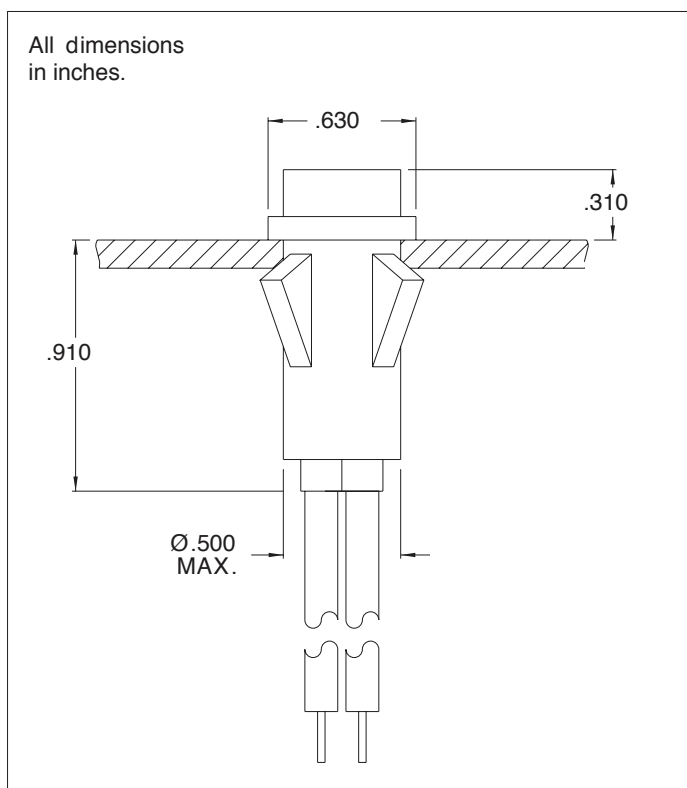




# 1050C, 1051C, 1052C, 1053C and 1090C Series Non-Relampable Incandescent Indicator Lights



**Mounting:** Will snap-fit into Ø.500”/.505” hole in panels .020”/.100” thick. Push-on speednut SN0461 also available.

**Wire Leads:** No. 22 AWG PVC (105°C) 4.40”/4.80” long, stripped .430”/.570”

**Lens:** Nylon on model 1050C1, 1050C3, 1050C4, 1050E86, 1050J49, 1051C1, 1051C3, 1051C3\_06, 1051C4.

Polycarbonate on all other models.

**Bezel:** Polished stainless steel.

**Housing:** White Nylon

Underwriters Laboratories (UL) File No.E20356

Notes:

- 1) Incorporates G2B lamp and resistor
- 2) Wire Lead: No. 22 AWG Solid
- 3) Lead Color: Black (8” long and stripped .430”/.570”)
- 4) Wire Lead: No. 20 AWG PVC (105°C) - 14” long, stripped 1/4”
- 5) Wire Lead: 7 3/4” long, stripped .430”/.570”
- 6) Wire Lead: 6” long, stripped .430”/.570”

| Lens Color | Neon   |  | Incandescent    |                 |
|------------|--|--|-----------------|-----------------|
|            | Model No. (105 -125VAC)                      | Model No. (208-250V)                         | Model No. (12V) | Model No. (28V) |
| Red        | 1050C1 / 1050E86 <sup>2</sup>                | 1051C1 / 1050J49 <sup>3</sup>                | 1090C1-12V      | 1090C1-28V      |
| Clear      | 1050C2                                       | -  | -               | -               |
| Amber      | 1050C3                                       | 1051C3 / 1051C3_06 <sup>6</sup>              | 1090C3-12V      | 1090C3-28V      |
| White      | 1050C4                                       | 1051C4                                       | 1090C4-12V      | 1090C4-28V      |
| Green      | 1052C5 <sup>1</sup> / 1050R48 <sup>1,4</sup> | 1053C5 <sup>1</sup> / 1050R92 <sup>1,5</sup> | 1090C5-12V      | 1090C5-28V      |
| Lamp used  | C2A+Resistor                                 | C2A+Resistor                                 | #2162           | #2187           |
| Lead Color | Black  | One Black/One Red                            | Yellow          | Purple          |

## Compliance & Approvals



## X-ON Electronics

Largest Supplier of Electrical and Electronic Components

*Click to view similar products for [Lamps category](#):*

*Click to view products by [Visual Communications manufacturer](#):*

Other Similar products are found below :

[5911-086-13](#) [5AB](#) [6180](#) [7009](#) [8623](#) [909](#) [912](#) [1224](#) [1230](#) [DE603](#) [DNW21-DW10/BLA](#) [BF20100-11B](#) [1892](#) [NL177WL2A](#) [NL276C2A](#)  
[IFL-LX2162-16T](#) [C2A-T](#) [C9A](#) [301](#) [303](#) [A1C](#) [A2B](#) [19](#) [268](#) [GT-NE6H1225T](#) [CM1820](#) [CM5004WW](#) [303](#) [32-2211T](#) [36EN-2113](#) [407](#)  
[4916S1](#) [521-7332](#) [5314N1](#) [5314N2](#) [311](#) [WWT1-EW10/GRN](#) [4925H1](#) [DW07](#) [MS25231-313](#) [5603437](#) [5603851](#) [CM2](#) [7683EBP](#) [8553](#)  
[XE135B](#) [WWT2-EW34BLA](#) [5705H7](#) [NL2951WL2G](#) [1301910036](#)