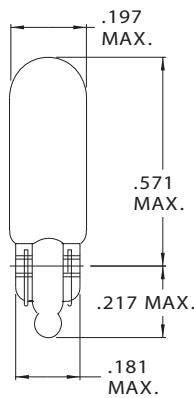
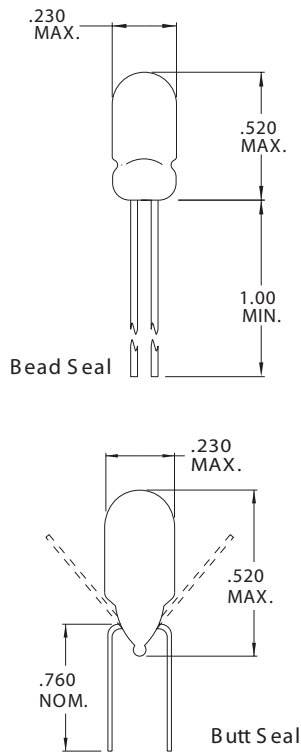


T-1 1/2 Wedge Base



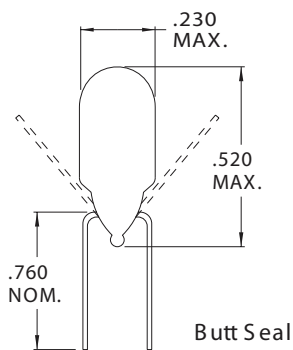
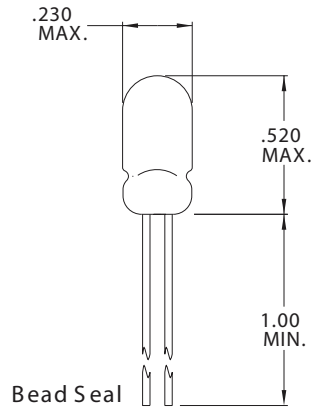
Part Number	Design Voltage	Amps	MSCP	Life Hours	Filament Type
CM6502	4.0	.250	.200	1,000	C-2V
CM1103	6.0	.030	.024	1,000	C-2R
CM1104	6.0	.080	.070	5,000	C-2V
CM3105	6.0	.167	.300	5,000	C-2R
CM6516	6.0	.178	.720	1,000	C-2R
CM6521	6.0	.167	.480	1,000	C-2R
CM6522	6.0	.030	.040	1,000	C-2V
CM6515	7.0	.035	.040	1,000	C-2V
CM1107	12.0	.030	.080	1,000	C-2V
CM1108	12.0	.080	.240	5,000	C-2R
CM286	13.5	.090	.570	200	C-2V
CM1111	24.0	.040	.240	5,000	C-2F
CM3110	24.0	.030	.100	5,000	C-2F

T-1 3/4 Wire Terminal



Part Number	Design Voltage	Amps	MSCP	Life Hours	Filament Type
CM2184	1.30	.050	.020	30	S-2
CM1728	1.35	.060	.010	500	C-6
CM2119	2.00	.060	.001	5,000	C-2R
CM1783	2.50	.200	.220	500	C-2R
CM2169	2.50	.350	.200	10,000	C-2R
CM2264	2.50	.400	.280	5,000	C-2R
CM1738	2.70	.060	.040	6,000	C-2R
CM2129	3.00	.300	.340	1,500	C-2R
CM2156	3.00	.030	.020	1,800	C-6
CM2158	3.00	.015	.004	10,000	C-6
CM8847	3.00	.350	.300	10,000	C-2R
CM2171	4.50	.120	.040	25,000	C-2F
CM2200	5.00	.060	.050	25,000	C-2R
CM2203	5.00	.115	.150	40,000	C-2R
CM3151	5.00	.060	.150	5,000	C-2R
CM3626	5.00	.060	.050	25,000	C-2R
CM3627	5.00	.220	.600	30,000	C-2R
CM3628	5.00	.220	.600	30,000	C-2R
CM3950	5.00	.017	.018	2,000	C-2R
CM8784	5.00	.190	.450	1,000	C-2R
CM8805	5.00	.060	.030	60,000	C-2R
CM1730	6.00	.040	.030	10,000	C-2V
CM1784	6.00	.200	.600	1,000	C-2R
CM2191	6.00	.036	.010	40,000	C-2V
CM8664	6.00	.200	.100	50,000	C-2F

T-1 3/4 Wire Terminal (standard)



Part Number	Design Voltage	Amps	MSCP	Life Hours	Filament Type
CM1739	6.30	.070	.230	1,000	C-2R
CM2037	6.30	.200	.400	20,000	C-2R
CM2039	6.30	.075	.230	1,000	C-2R
CM2112	6.30	.200	.550	5,000	C-2R
CM2179	6.30	.040	.030	20,000	C-2V
CM2180	6.30	.040	.020	20,000	C-2V
CM2181	6.30	.200	.400	20,000	C-2F
CM8350	6.30	.150	.450	3,000	C-2R
CM2178	8.00	.085	.150	25,000	C-2F
CM1869	10.00	.014	.002	50,000	C-2F
CM2107	10.00	.040	.080	5,000	C-2F
CM2149	10.00	.014	.002	50,000	C-2F
CM8946	11.00	.022	.030	10,000	C-2F
CM2174	12.00	.040	.100	10,000	C-2F
CM1705	14.00	.080	.500	1,500	C-2F
CM2162	14.00	.100	.500	10,000	C-2F
CM2182	14.00	.080	.300	40,000	C-2F
CM2382	14.00	.080	.300	40,000	C-2F
CM2102	18.00	.040	.150	10,000	C-2F
CM8425	22.00	.040	.300	2,000	C-2F
CM2041	24.00	.060	.500	5,000	C-2F
CM2176	24.00	.050	.500	1,000	C-2F
CM476	28.00	.060	.340	25,000	C-2F
CM1749	28.00	.060	.340	25,000	C-2F
CM1762	28.00	.040	.340	4,000	C-2F
CM1764	28.00	.040	.340	4,000	C-2F
CM2185	28.00	.040	.150	10,000	C-2F
CM2187	28.00	.040	.300	7,000	C-2F
CM2287	28.00	.040	.300	7,000	C-2F
CM2370	28.00	.050	.700	1,000	C-2F
CM6033	28.00	.024	.150	4,000	CC-2F
CM8361	28.00	.065	.650	5,000	C-2F
CM8461	28.00	.050	.500	5,000	C-2F
CM1918	32.00	.040	.300	7,000	C-2F
CM6748	48.00	.025	.200	5,000	CC-2F

X-ON Electronics

Largest Supplier of Electrical and Electronic Components

Click to view similar products for [Lamps category](#):

Click to view products by [Visual Communications manufacturer](#):

Other Similar products are found below :

[5911-086-13](#) [5AB](#) [6180](#) [7009](#) [8623](#) [909](#) [912](#) [1224](#) [1230](#) [DE603](#) [DNW21-DW10/BLA](#) [BF20100-11B](#) [1892](#) [NL177WL2A](#) [NL276C2A](#)
[IFL-LX2162-16T](#) [C2A-T](#) [C9A](#) [301](#) [303](#) [SM2440L](#) [A1C](#) [A2B](#) [19](#) [268](#) [GT-NE6H1225T](#) [CM1820](#) [CM5004WW](#) [303](#) [32-2211T](#) [36EN-2113](#)
[407](#) [4916S1](#) [521-7332](#) [5314N1](#) [5314N2](#) [311](#) [WWT1-EW10/GRN](#) [4925H1](#) [DW07](#) [MS25231-313](#) [5603437](#) [5603851](#) [CM2](#) [7683EBP](#) [8553](#)
[XE135B](#) [WWT2-EW34BLA](#) [5705H7](#) [NL2951WL2G](#)