



# 75 Series Threaded Indicator Lights for 3/8" diameter Mounting Hole

**OIL TIGHT INDICATOR LIGHTS WITH THREADED HOUSING & HEX NUT.  
UL Recognized. UL File E20358**

### Overview

The 75 Series Indicators feature black nylon threaded housing with a dome lens and two 6" wire leads or 3/16" tab terminals. This series is offered with a wide variety of voltage, colors and bezel options. 75 Series Indicators are designed for a 3/8" mounting hole. A lock washer and hex nut are supplied.

### Specifications

**Housing:** black nylon.

**Lens:** polycarbonate.

**Bezel:** nickel-plated brass. A black anodized bezel is available.

**Incandescent AC or DC voltage options:** 6, 14 and 28 volts.

**Neon AC or DC voltage options:** 125 and 250 volts.  
**Note:** high brightness green and blue neon lamps supplied in green and blue neon applications.

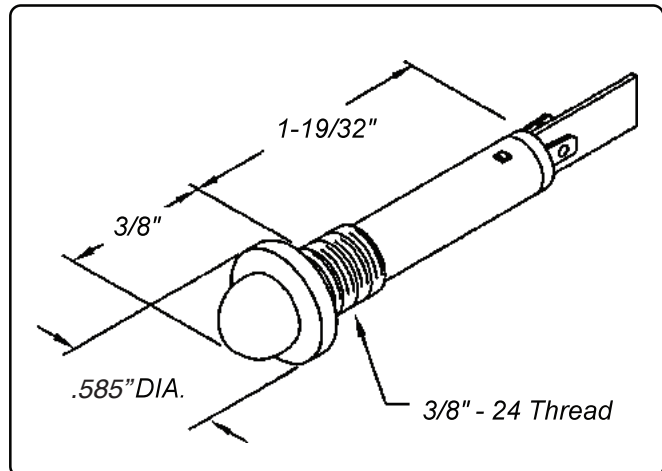
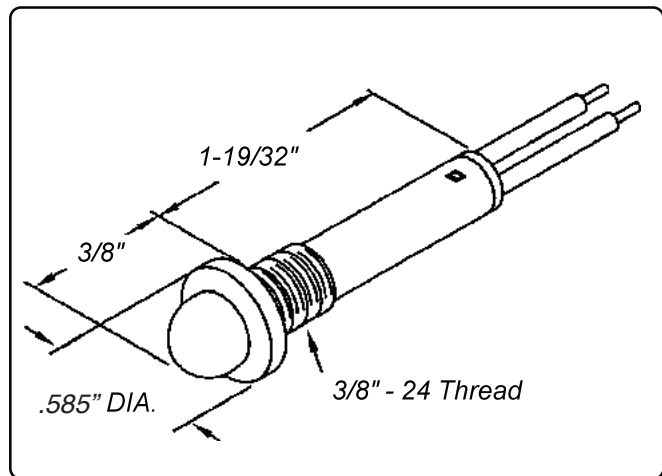
**LED DC voltage options:** 2, 6, 12, 24 or 125 volts.  
**Note:** 125V LED indicators operate for both AC or DC applications.  
36V and 48V available, not UL Recognized.

**Wire leads:**

**6" leads:** #18 AWG, bare copper, PVC insulated, UL/CSA rated 105° C, 600 V, UL Style 1015, stripped 1/2". For LED units, wire leads are color-coded red and black; the red wire lead denotes the anode (+) while a black wire lead identifies the cathode (-). Custom wire lengths, stripping, termination and wire types are available.

**Terminals:**

**3/16" Tabs:** brass, (0.187" length x 0.020" thick). For LED units, a tin plated terminal denotes the anode (+).

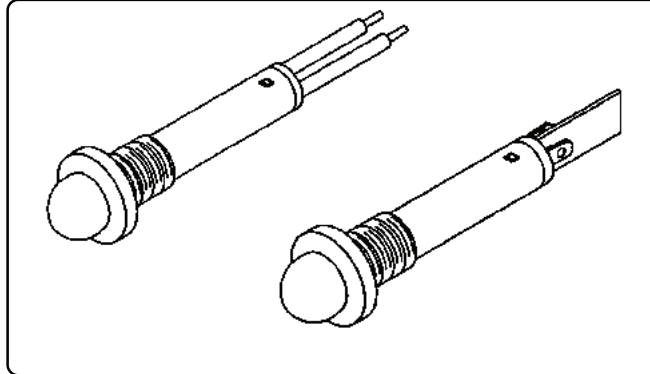


## Ordering Data

# Threaded Indicator Lights for 3/8" Dia. Mounting Hole

## 75 SERIES

6" Wire Leads or  
3/16" Tab Terminals  
Neon or  
Incandescent  
6 to 250 Design Volts

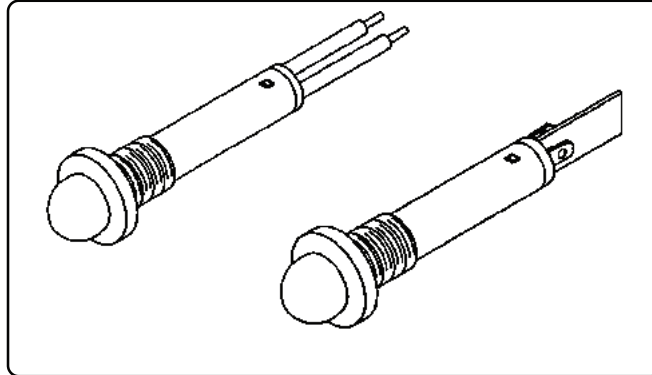


Black Housing  
Dome Lens  
Variety of  
Lens Colors  
Hex Nut  
Threaded Housing

Part Number 6" Wire Leads	Part Number 3/16" Terminals	Lens Color	Lamp Type	Design Volts	Design Watts or Amps	Life (hrs)
75R-2211	75R-2211T	Red	Neon	125	1/3W	25,000
75HR-2211	75HR-2211T	Red	Neon	250	1/3W	25,000
75RG1-2211	75RG1-2211T	Red	Incandescent	6	.20A	5,000
75RG3-2211	75RG3-2211T	Red	Incandescent	14	.10A	10,000
75RG18-2211	75RG18-2211T	Red	Incandescent	28	.04A	7,000
75R-2212	75R-2212T	Green	Neon	125	1/3W	25,000
75HR-2212	75HR-2212T	Green	Neon	250	1/3W	25,000
75RG1-2212	75RG1-2212T	Green	Incandescent	6	.20A	5,000
75RG3-2212	75RG3-2212T	Green	Incandescent	14	.10A	10,000
75RG18-2212	75RG18-2212T	Green	Incandescent	28	.04A	7,000
75R-2213	75R-2213T	Amber	Neon	125	1/3W	25,000
75HR-2213	75HR-2213T	Amber	Neon	250	1/3W	25,000
75RG1-2213	75RG1-2213T	Amber	Incandescent	6	.20A	5,000
75RG3-2213	75RG3-2213T	Amber	Incandescent	14	.10A	10,000
75RG18-2213	75RG18-2213T	Amber	Incandescent	28	.04A	7,000
75R-2214	75R-2214T	Blue	Neon	125	1/3W	25,000
75HR-2214	75HR-2214T	Blue	Neon	250	1/3W	25,000
75RG1-2214	75RG1-2214T	Blue	Incandescent	6	.20A	5,000
75RG3-2214	75RG3-2214T	Blue	Incandescent	14	.10A	10,000
75RG18-2214	75RG18-2214T	Blue	Incandescent	28	.04A	7,000
75R-2215	75R-2215T	White	Neon	125	1/3W	25,000
75HR-2215	75HR-2215T	White	Neon	250	1/3W	25,000
75RG1-2215	75RG1-2215T	White	Incandescent	6	.20A	5,000
75RG3-2215	75RG3-2215T	White	Incandescent	14	.10A	10,000
75RG18-2215	75RG18-2215T	White	Incandescent	28	.04A	7,000
75R-2217	75R-2217T	Clear	Neon	125	1/3W	25,000
75HR-2217	75HR-2217T	Clear	Neon	250	1/3W	25,000
75RG1-2217	75RG1-2217T	Clear	Incandescent	6	.20A	5,000
75RG3-2217	75RG3-2217T	Clear	Incandescent	14	.10A	10,000
75RG18-2217	75RG18-2217T	Clear	Incandescent	28	.04A	7,000

# Threaded Indicator Lights for 3/8" Dia. Mounting Hole

**L75 SERIES**  
LED Indicator Lights  
6" Wire Leads or  
3/16" Tab Terminals  
2 to 125 Design Volts



**Black Housing**  
**Dome Lens**  
**Variety of**  
**Lens Colors**  
**Hex Nut**

Part Number 6" Wire Leads	Part Number 3/16" Tab Terminals	Lens Color	DC Design Volts * AC Design Volts
L75R-A2-2213	L75R-A2-2213T	Amber	2
L75R-A6-2213	L75R-A6-2213T	Amber	6
L75R-A12-2213	L75R-A12-2213T	Amber	12
L75R-A24-2213	L75R-A24-2213T	Amber	24
L75R-A125-2213	N/A	Amber	125 *
L75R-G2-2212	L75R-G2-2212T	Green	2
L75R-G6-2212	L75R-G6-2212T	Green	6
L75R-G12-2212	L75R-G12-2212T	Green	12
L75R-G24-2212	L75R-G24-2212T	Green	24
L75R-G125-2212	N/A	Green	125 *
L75R-R2-2211	L75R-R2-2211T	Red	2
L75R-R6-2211	L75R-R6-2211T	Red	6
L75R-R12-2211	L75R-R12-2211T	Red	12
L75R-R24-2211	L75R-R24-2211T	Red	24
L75R-R125-2211	N/A	Red	125 *
L75R-Y2-2216	L75R-Y2-2216T	Yellow	2
L75R-Y6-2216	L75R-Y6-2216T	Yellow	6
L75R-Y12-2216	L75R-Y12-2216T	Yellow	12
L75R-Y24-2216	L75R-Y24-2216T	Yellow	24
L75R-Y125-2216	N/A	Yellow	125 *

**Polarity Determination - Wire Leads:** Red wire lead denotes anode (+); black wire leads denotes cathode (-).  
**3/16" Tab Terminals:** Tinned terminal denotes anode (+); untinned terminal denotes cathode (-).

## X-ON Electronics

Largest Supplier of Electrical and Electronic Components

*Click to view similar products for Visual Communications manufacturer:*

Other Similar products are found below :

[VAOL-3MCE2](#) [7349](#) [139A-403A](#) [25P-607W](#) [CMC01R](#) [CNXBE4218](#) [5314N1](#) [4302H5-5V](#) [1092D3-28V](#) [5602F1-5V](#) [CNX718N90005T](#)  
[VC1510145W3](#) [B2A-10PK](#) [6S6/30V-10PK](#) [1091M1-24V](#) [CMD95-21VRC/TR10](#) [CTHS15CIC04ONOFF](#) [CNX"C"E"4"1"04](#) [2SB-NWG48H](#)  
[2SB-NWW48H](#) [7512D2](#) [CNX\\_310\\_220\\_E\\_4\\_1\\_08](#) [CNX310033X4124](#) [3150-10PK](#) [4301H11](#) [4304H5](#) [LMS093CTP](#) [4303F5](#) [5400A1](#)  
[CMD15-21UBC/TR8](#) [VAOS-C402S9-BW50](#) [LMS\\_113\\_CTP](#) [CTHS15CIC06ALARM](#) [STD\\_850\\_BLK](#) [SML\\_190\\_RTP](#) [5302H5-5V](#) [VAOL-](#)  
[S6RP4](#) [LMS\\_053\\_CTP](#) [5680F7\\_7](#) [CNX722C50024W](#) [DSM7UA30105](#) [334](#) [CNX"482"1"RTP"12](#) [L79D-Y125-W](#) [2191QL7-24V](#) [5352T1-](#)  
[5VLC](#) [1030D3](#) [6013M5](#) [PS90](#) [5602F5-5V](#)