



CNX722 Series 0.866" (22mm) Ruggedized LED Panel Mount Indicator



Ruggedized CNX722 Series with built-in LED offers fast, easy installation in harsh environments.



Applications

- Industrial Machinery
- Transportation Dashboards
- Instrument Panels
- Control Cabinets
- Safety Applications
- Disinfection and Sterilization
- Switching Stations
- Slot, Gaming and Vending Machines
- Outdoor Signs
- Military Aircraft

Key Features

- For panel hole diameter: 0.866" (22mm)
- Designed for extreme harsh and outdoor environments.
- Variety of connection options for fast, easy installation.
- Built-in LED can be used with FlexVolt™ (5 to 28 VDC) or 120VAC circuits
- Fast pitch threads ease assembly, requiring only one turn.
- Nut assembly by finger-tightening or with 1 inch hex key.
- RoHS and REACH Compliant.
- Outdoor visibility in direct sunlight.
- Available in six solid colors (red, green, white, blue, soft yellow and yellow).
- Wide Viewing Angle
- Resistant to shock and vibration.
- Optional bezel available in many colors
- Moisture sealed, IP67, protected from total dust ingress and withstanding water immersion between 15 cm and 1 meter for 30 minutes.
- Lead wire options with custom wire length available.
- Other colors (single and bicolor) are available upon request.

Ordering Data

The CNX722 Series is available in a range of standard features and options. To specify your Panel Mount Indicator, select one option from each column.

LED Color		Voltage	Termination Style	
CNX722C				
CNX722C: Colored Body				
200	Red	FV	B*	Screw Block
400*	Soft Yellow		W	Wire Leads
401	Yellow		T	Quick Disconnect/ Terminals
500	Green			
600	Blue			
900	White			
		5-28VDC		
		120	120VAC	

Example:
CNX722C401120T
Yellow
120V
Quick Disconnect



* Not Available for the 120VAC Version

Accessories

Optional sealed bezel: BZL722-□

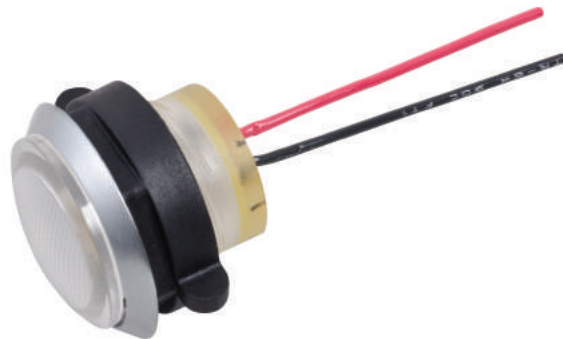
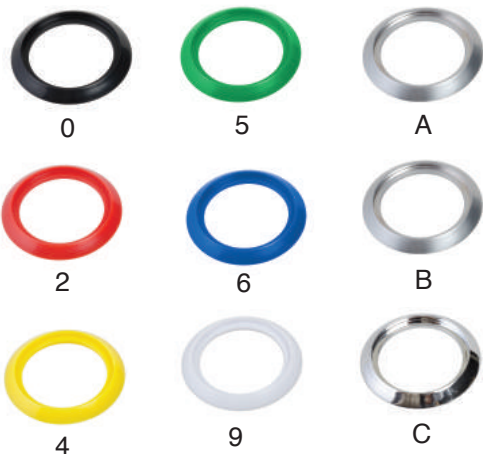
Sealed Bezel IP67

- Material - either plastic or metal
- For indoor and outdoor applications, protects against falling dirt. Also protects against water or oil and the effects of ice formation.

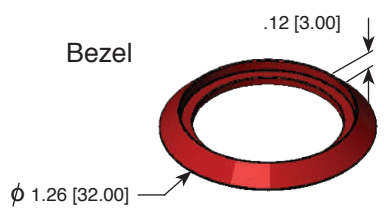
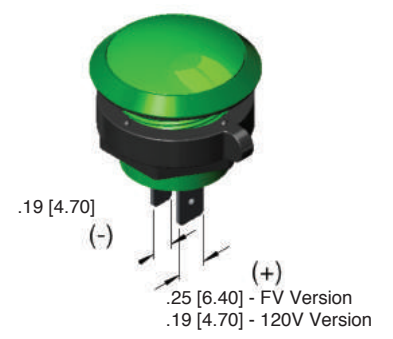
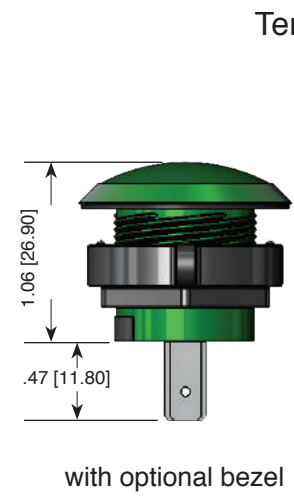
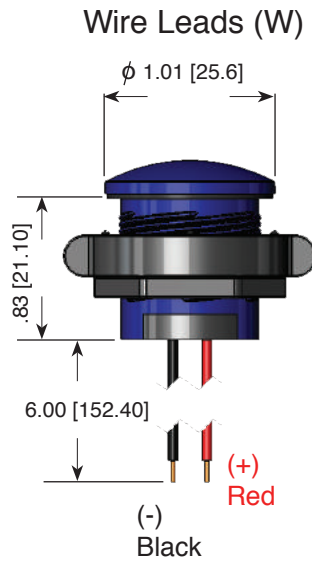
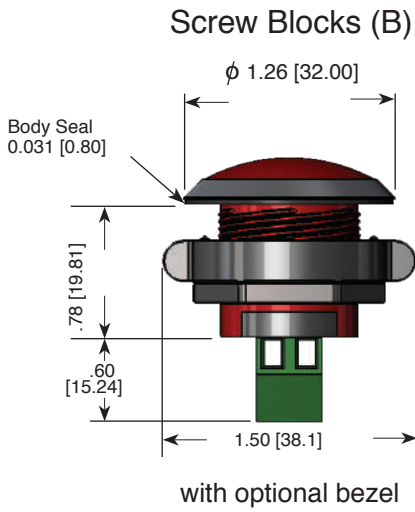
moisture seal	EPDM
bezel-plastic	ABS, UL 94-HB
bezel-metal	aluminum alloy

Bezel Color		Material
□	color	
0	black	plastic
2	red	plastic
4	yellow	plastic
5	green	plastic
6	blue	plastic
9	white	plastic
A	actual aluminum	metal
B	brushed aluminum	plastic
C	chrome	plastic

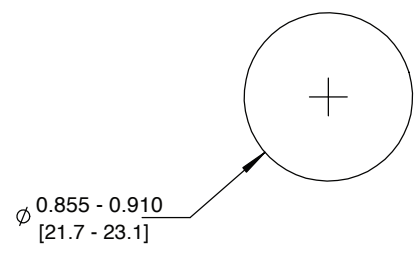
Example:
CNX722C900FVW
White
with BZL722-A
Actual Aluminum
Bezel



Product Dimensions



Recommended Mounting Hole



All Dimensions in inches [mm]

Product Specifications

Flex Voltage Version:

LED output		
LED color	Luminous intensity (mcd)	I (mA)
red	1300-2700	20
soft yellow	80-400	20
yellow	450-1120	20
green	1000-1400	20
blue	280-710	20
white	1300-1800	20

120VAC Version:

LED output		
LED color	Luminous intensity typ. (mcd)	I (mA)
red	550	8
yellow	245	8
green	924	8
blue	67	8
white	644	8

Installation Specification

mounting hole	0.855-910" (21.7-23.1mm)
panel thickness	Up to .300" (7.6mm)
spacing	minimum 1.5" center to center
retainer width	1.50" (38.1 mm)

Operating parameters

operating temperature	-40°F (-40°C) to 176°F (80°C)
-----------------------	----------------------------------

Materials

body	polycarbonate, UL94-V2
retaining nut	PBT/Glass Filled, UL94-V0
wire	22 AWG - Black/Red** 18 AWG - Black***
lens	polycarbonate, UL94-V2
moisture seal	EPDM

** Flex Voltage Version

*** 120 VAC Version

Compliance and Approvals



X-ON Electronics

Largest Supplier of Electrical and Electronic Components

Click to view similar products for [LED Panel Mount Indicators](#) category:

Click to view products by [Visual Communications](#) manufacturer:

Other Similar products are found below :

[607-1312-310F](#) [607-3232-140F](#) [6091M1-24V](#) [6091M5-24V](#) [6091M7-24V](#) [821-0331-503](#) [FL2870C8R](#) [FL2950WL7B](#) [FL589WL8R](#)
[H8630FBBA3](#) [DX1091GN](#) [DX1118GN](#) [NL177WL3G](#) [NL276C3G](#) [NL2950BWL3G](#) [NL2950CWL2R](#) [NL589WL2R](#) [NL67C3G](#) [NL67C3R](#)
[2191L1-12V](#) [LE177C5B](#) [LH1048BSWL3702](#) [LH1048BWL3702](#) [LH382A](#) [LHM62B](#) [SSI-LXH387USBD-150](#) [SSI-LXH9ZIC40587](#) [SSP-](#)
[LXS110818BA](#) [FL2950BWL7R](#) [FL2950WL7R](#) [FL2951WL8G](#) [FL2951WL8R](#) [FL589C7R](#) [FL67C7R](#) [FL67WL8G](#) [2191QU7-24V](#) [2191U1-](#)
[12V](#) [2191U5-12V](#) [2191U5-6V](#) [2191U7-12V](#) [249-4167-3734-504F](#) [3990A7](#) [5110F3-12V](#) [MPC5BCW18.0](#) [556-1237-801F](#) [556-1303-808F](#)
[556-1605-808F](#) [556-1705-809F](#) [556-3008-839F](#) [556-3137-304F](#)