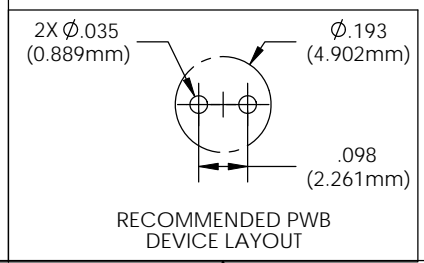
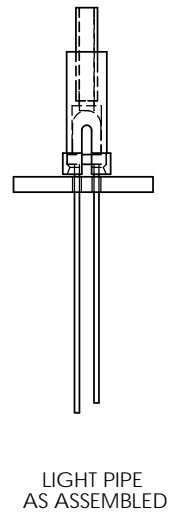
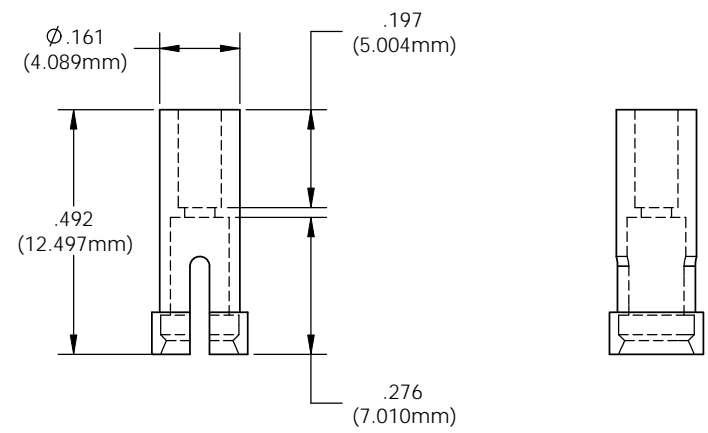
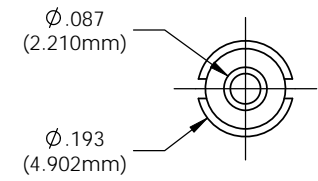
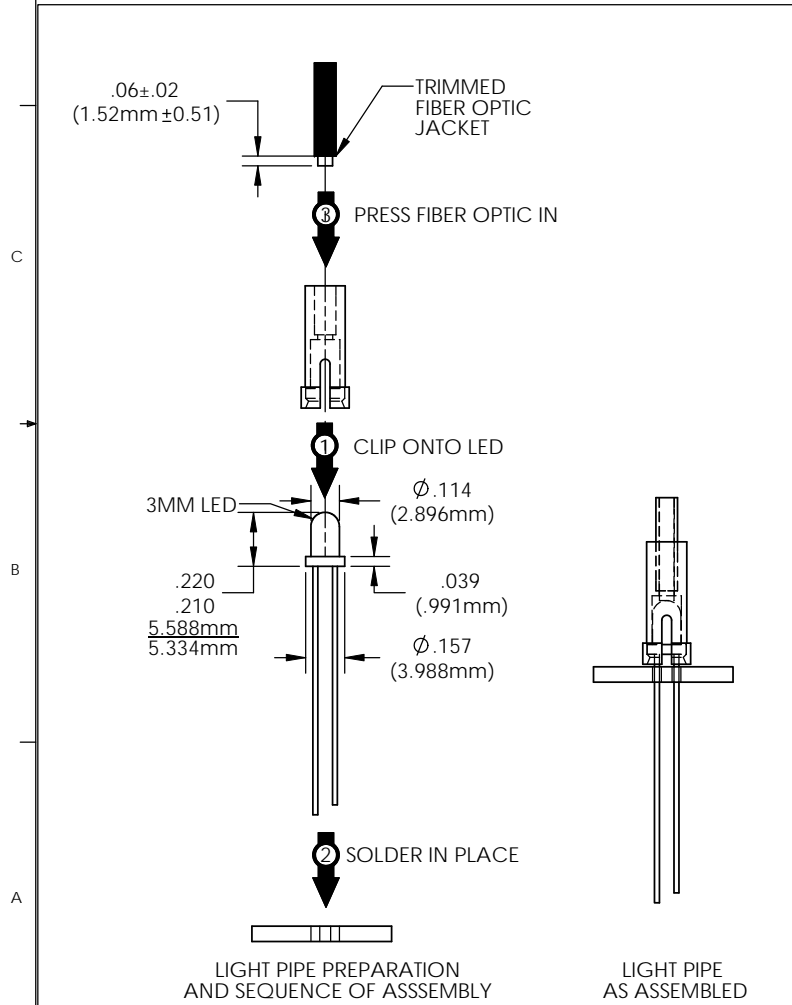


8 7 6 5 4 3 2 1

- NOTES
1. ROHS COMPLIANT.
  2. UL 94V-2 FLAMMABILITY RATING.
  3. -40°C TO 85°C OPERATING TEMPERATURE.
  4. SUITABLE FOR LIGHT PIPE WITH  $\varnothing 2.2\text{MM}$  JACKET AND OPTICAL CORE NO GREATER THAN  $\varnothing 1.5\text{MM}$ .
  5. DO NOT WAVE SOLDER WITH THIS DEVICE.
  6. FOR BEST RESULTS USE ONLY NARROW VIEWING ANGLE NON-DIFFUSED LEDS WITH OUTPUT POWER GREATER THAN 100mcd.

REVISIONS				
ECN #	REV	DESCRIPTION	DATE	INITIALS
176	001	INITIAL RELEASE	8/3/10	KH
200	002	REVISED PER ECR 100610KH01	10/6/10	KH



<small>UNLESS OTHERWISE SPECIFIED DIMENSIONS ARE IN INCHES</small> ANGLES DECIMALS $\pm 1/2^\circ$ .X $\pm .020$ FINISH .XX $\pm .010$ .XXX $\pm .005$ 1.25 BREAK ALL CORNERS AND SHARP EDGES ON NEW	MATERIAL	<b>NYLON 6/6</b> UL 94-V2		<b>VISUAL COMMUNICATIONS COMPANY, INC.</b> 190 Bossick Boulevard, Suite 101 San Marcos, CA 92069 USA Phone (760) 560-1300 Fax (760) 560-1301 email vccsales@vccite.com		
	FINISH	SEE NOTES		TITLE: <b>THROUGH-HOLE LED MOUNT</b>		
	THIRD ANGLE PROJECTION	APPROVAL	DATE	SIZE	DWG. NO.	REV
	<small>PROPRIETARY AND CONFIDENTIAL</small> THE INFORMATION CONTAINED IN THIS DRAWING IS THE SOLE PROPERTY OF VISUAL COMMUNICATIONS COMPANY, INC. AND IS NOT TO BE REPRODUCED IN ANY MANNER WITHOUT THE WRITTEN CONSENT OF VISUAL COMMUNICATIONS COMPANY, INC.	DRAWN K.Howard CHECKED DPZ	8/3/10 8/10/10	<b>B</b> SCALE: 4:1	<b>THR 22</b> SHEET 1 OF 1	<b>002</b>

8 7 6 5 4 3 2 1

## X-ON Electronics

Largest Supplier of Electrical and Electronic Components

*Click to view similar products for Visual Communications manufacturer:*

Other Similar products are found below :

[VAOL-3MCE2](#) [7349](#) [139A-403A](#) [25P-607W](#) [CMC01R](#) [CNXBE4218](#) [5314N1](#) [4302H5-5V](#) [1092D3-28V](#) [5602F1-5V](#) [CNX718N90005T](#)  
[VC1510145W3](#) [B2A-10PK](#) [6S6/30V-10PK](#) [1091M1-24V](#) [CMD95-21VRC/TR10](#) [CTHS15CIC04ONOFF](#) [CNX"C"E"4"1"04](#) [2SB-NWG48H](#)  
[2SB-NWW48H](#) [7512D2](#) [CNX\\_310\\_220\\_E\\_4\\_1\\_08](#) [CNX310033X4124](#) [3150-10PK](#) [4301H11](#) [4304H5](#) [LMS093CTP](#) [4303F5](#) [5400A1](#)  
[CMD15-21UBC/TR8](#) [VAOS-C402S9-BW50](#) [LMS\\_113\\_CTP](#) [CTHS15CIC06ALARM](#) [STD\\_850\\_BLK](#) [SML\\_190\\_RTP](#) [2110A1](#) [5302H5-5V](#)  
[VAOL-S6RP4](#) [LMS\\_053\\_CTP](#) [5680F7\\_7](#) [CNX722C50024W](#) [DSM7UA30105](#) [334](#) [CNX"482"1"RTP"12](#) [L79D-Y125-W](#) [2191QL7-24V](#)  
[5352T1-5VLC](#) [1030D3](#) [6013M5](#) [PS90](#)