



# 12 Series Double Contact Bayonet Base Non-Grounded Lampholders



The 12 Series lampholders are constructed with a zinc plated steel shell, with two brass contacts mounted on a phenolic-insulating disc.

## Overview

The 12 Series lampholders are constructed with a zinc plated steel shell, with two brass contacts mounted on a phenolic-insulating disc and two 6" wire leads. The bracket and shell are grounded independent of the contacts. Lampholders are designed for use with double contact candelabra bayonet lamps.

## Specifications

**Shell:** zinc plated steel.

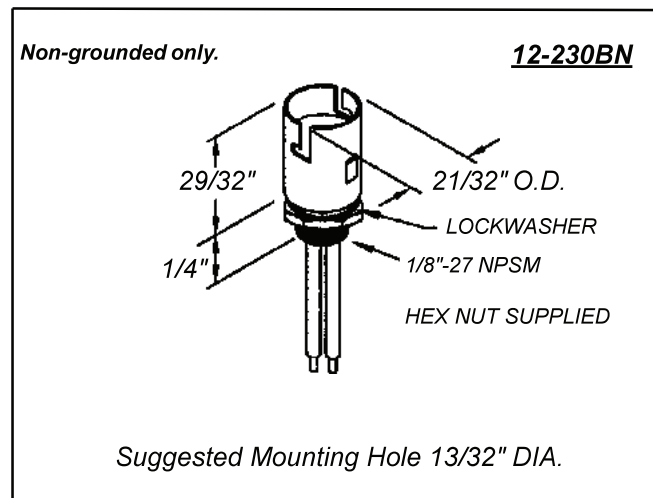
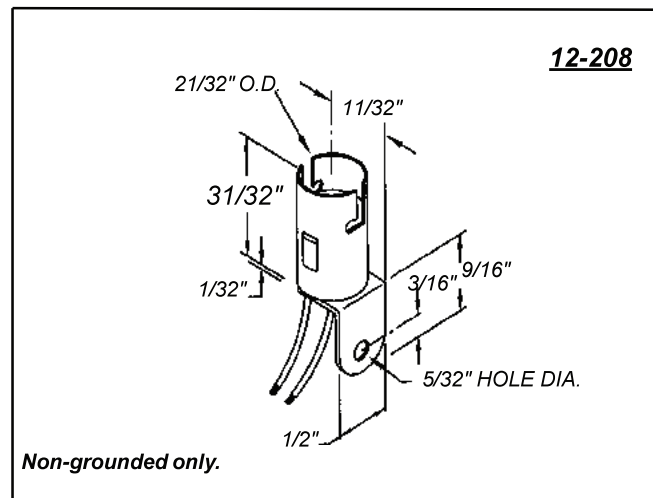
**Center contacts:** nickel plated brass supplied with phenolic insulating disc. A custom ceramic insulating disc is also available.

**Spring:** zinc plated steel. A custom stainless steel spring is also available.

**Wire leads: 6" Leads:** #18 AWG, black, bare copper, PVC insulated, UL/CSA rated 105° C, stripped 1/2". Non-grounded units are supplied with two 6" wire leads. Custom wire lengths, stripping, termination and wire types are also available.

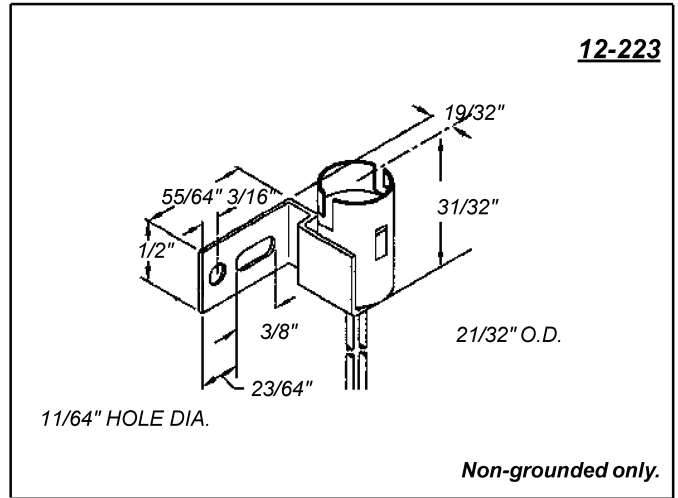
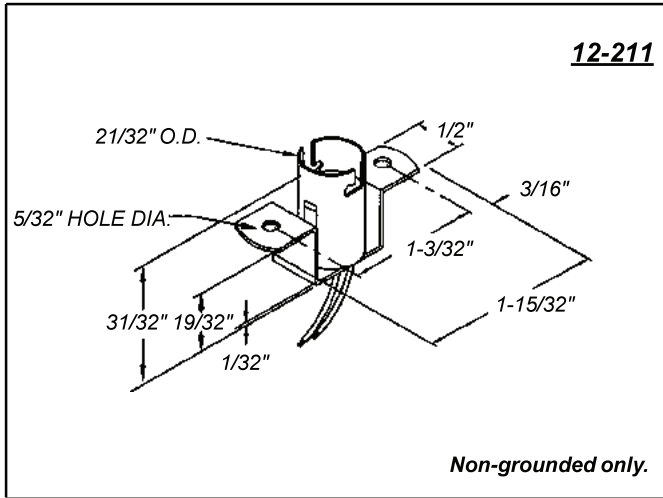
**Mounting: Brackets:** 0.025" to 0.032" zinc plated steel. Custom brackets and plating types are available. **Plug buttons:** zinc plated steel for 15/16" mounting holes. **Threaded bushing:** for 13/32" mounting hole. Supplied with lockwasher and hex nut.

**Maximum rating:** 75 Watts, 125 Volts.



# Ordering Data

**Maximum Rating: 75 Watts, 125 Volts**

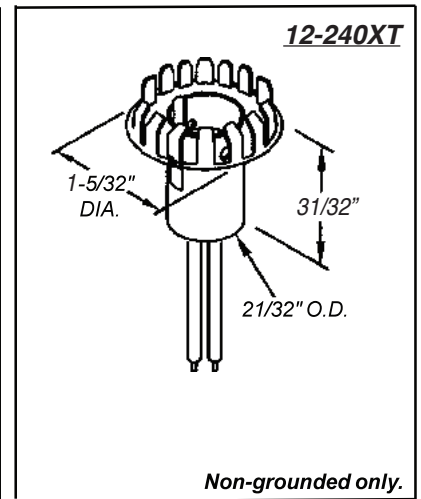
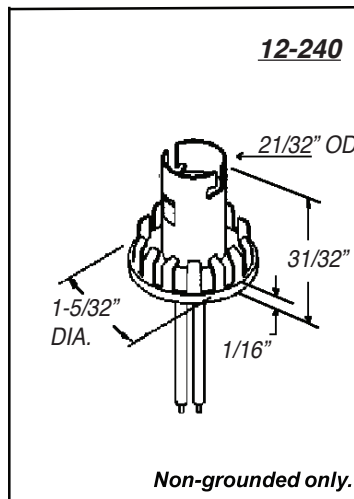
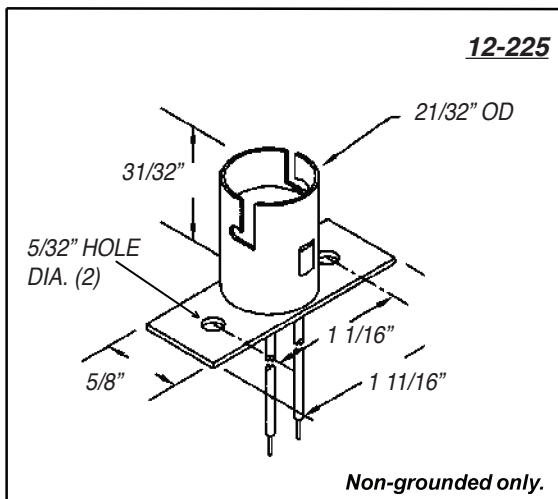


**12-218**  
**12-282**  
*Non-grounded only.*

*Mounting Hole Diagram*

Bracket No.	"A" Dimension
-18	1-13/32"
-82	15/16"

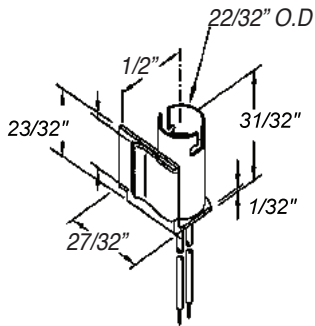
*Maximum Panel Thickness .045"*



Plug buttons: zinc-plated steel, for 15/16" hole with panel thickness range 1/32" to 5/64"

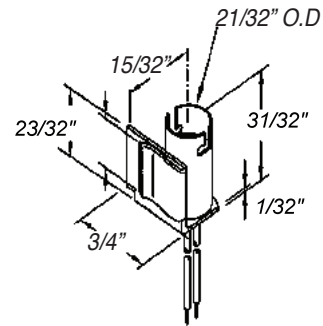
## Product Dimensions

**12-265**



*Non-grounded only.*

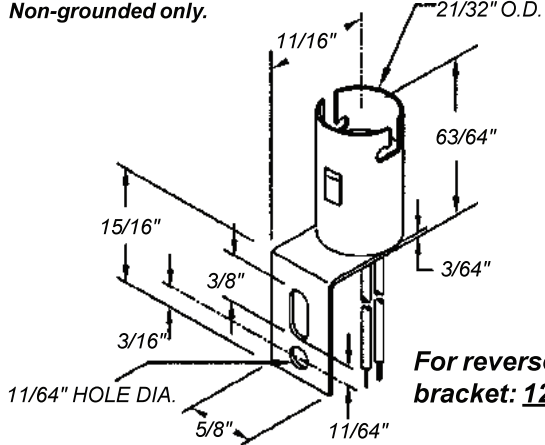
**12-255**



*Non-grounded only.*

*Non-grounded only.*

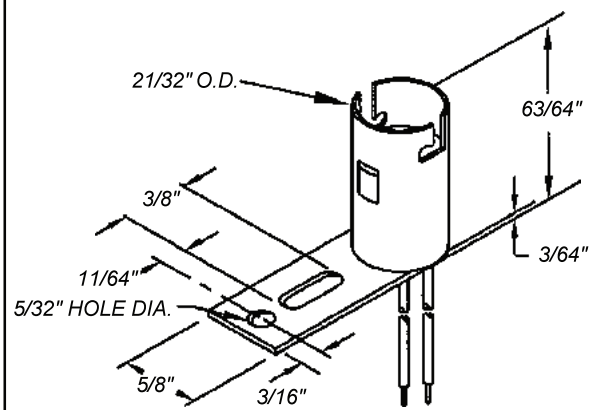
**12-272**



*For reversed  
bracket: **12-271.***

*Non-grounded only.*

**12-275**



## Compliance & Approvals



## X-ON Electronics

Largest Supplier of Electrical and Electronic Components

*Click to view similar products for [Lamp Holders & Accessories](#) category:*

*Click to view products by [Visual Communications Company](#) manufacturer:*

Other Similar products are found below :

[811730-1](#) [MS25041-8-327](#) [162-8430-0931-502-327](#) [PBMBN](#) [251-7538-15-504](#) [2802](#) [294502](#) [162-8430-0932-502-327](#) [183-9730-14-602](#) [21-16](#) [251-8738-15-504](#) [259-1930-29-801](#) [2707508753800](#) [350-0410-01-203](#) [367-8430-0971-503](#) [367-8430-09-802](#) [367-8430-09-810](#) [371-8738-14-504](#) [4610](#) [367-8430-0972-503](#) [367-8430-09-808](#) [367-8430-09-809](#) [492H412-9](#) [MS25256-2-327](#) [737AS15](#) [830-1430-14-503](#) [PBMBP](#) [851-1030-0001-504](#) [047340229301](#) [061131002301](#) [081041001100](#) [019310105301](#) [080320205303](#) [361-8836-0931-552](#) [1.71.209.001/0000](#) [1301910073](#) [04-12](#) [02-82](#) [26-07](#) [07-20](#) [101-8430-09-203](#) [177-8430-09-503](#) [162-8430-0937-502](#) [812-1030-09-506](#) [250-8738-14-504](#) [125-1310-11-103](#) [270-1930-702](#) [MS25041-7-327](#) [162-8430-0931-502](#) [95-5763-09-311](#)