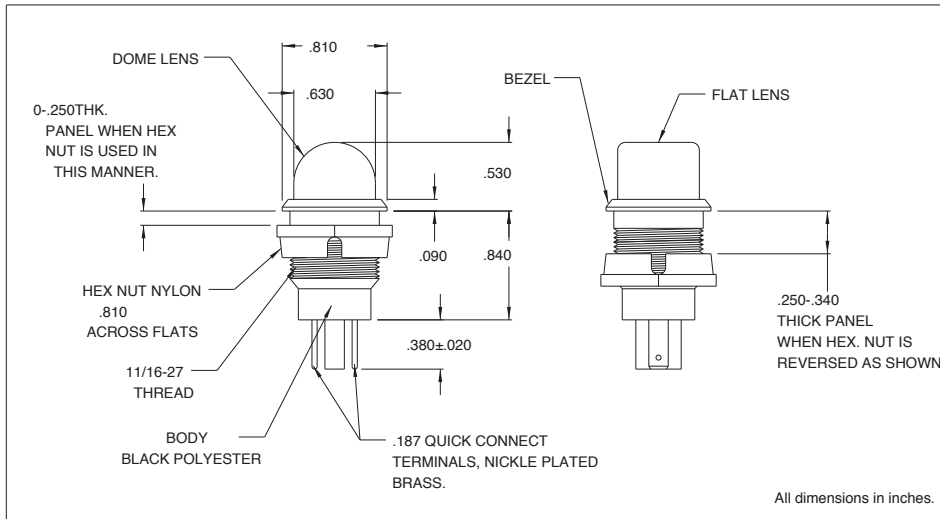
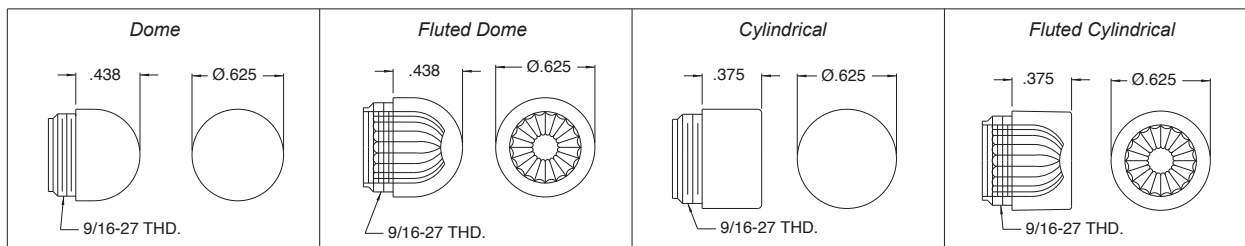


2802 Series Relampable Incandescent Indicator Light

Description and Features



Lens Specifications



All dimensions in inches.

Ordering Information:

For use with T-2 Slide Base (standard) lamps.

Complete assembly consists of socket (2802), lamp, and lens (see chart below).

Items supplied unassembled.

Lamp, lens and socket must be ordered separately.

Mounting: Supplied with polyester hex nut.

Lens: Polycarbonate-threaded

Body: Black polyester

Terminals: Nickel plated brass

Bezel: Black

Lens Part No:	Description
25P-306*	Transparent dome
25P-307**	Translucent dome
25P-326*	Transparent fluted dome
25P-606*	Transparent cylindrical
25P-607**	Translucent cylindrical
25P-626*	Transparent fluted cylindrical
(*) R=Red, A=Amber, G=Green, C=Clear	
(**) R=Red, Y=Yellow, G=Green, W=White	

Note: For 120 volt applications, CML recommends the use of a slide base neon lamp, rather than an incandescent lamp.

X-ON Electronics

Largest Supplier of Electrical and Electronic Components

Click to view similar products for [Lamp Lenses](#) category:

Click to view products by [Visual Communications Company](#) manufacturer:

Other Similar products are found below :

[812-0974](#) [140-1475-003](#) [151-2900-200](#) [199-5261](#) [221-1131-203](#) [222-0113-303](#) [222-0135-203](#) [270-0121](#) [221-1132-203](#) [222-0135-303](#)
[22872.9](#) [39-02-4A](#) [39-02-6A](#) [39-08-3A](#) [39-08-4A](#) [39-12-1A](#) [D38999/20ZA98SA](#) [359-8430-0932-502-327](#) [39-02-3A](#) [39-06-4A](#) [39-12-2A](#)
[39-12-7B](#) [402-0172-100](#) [402-0175-100](#) [053-0992](#) [053-0993](#) [053-0994](#) [091-0931](#) [091-0971](#) [091-0932](#) [101-0974](#) [103-1233-403](#) [533-0001](#)
[533-0601](#) [534-0701-537](#) [270-0212](#) [359-8430-0932-502](#) [0190535300](#) [0510113303](#) [39-06-2A](#) [199-5263](#) [241-0001-804](#) [830-1432-003](#) [39-08-](#)
[7A](#) [271-0171](#) [047-2900-400](#) [39-04-4B](#) [DAISY-4x1-W](#) [1813/8 R14-13](#) [BF2.4/RC](#)