

Halogen Cycle Single-Contact Double Ended 26 SERIES

- HALOGEN CYCLE SINGLE CONTACT DOUBLE ENDED LAMPHOLDERS
- 4" WIRE LEAD OR 1/4" TAB TERMINAL • HEAT RESISTANT CERAMIC HOUSING
- MAXIMUM RATING: 2000 WATTS, 600 VOLTS
- TWO LAMPHOLDERS REQUIRED PER LAMP • NON-GROUNDED LAMPHOLDERS
- UL RECOGNIZED • UL FILE E20356

Overview

The 26 Series lampholders are constructed with a high heat resistant ceramic housing and one 4" wire lead or 1/4" tab terminal. Lampholders are non-grounded. Lampholders are designed for use with double ended single contact halogen lamps. Note: Two lampholders are required for use with each lamp.

Specifications

Housing: ceramic.

Contact: silver plated copper.

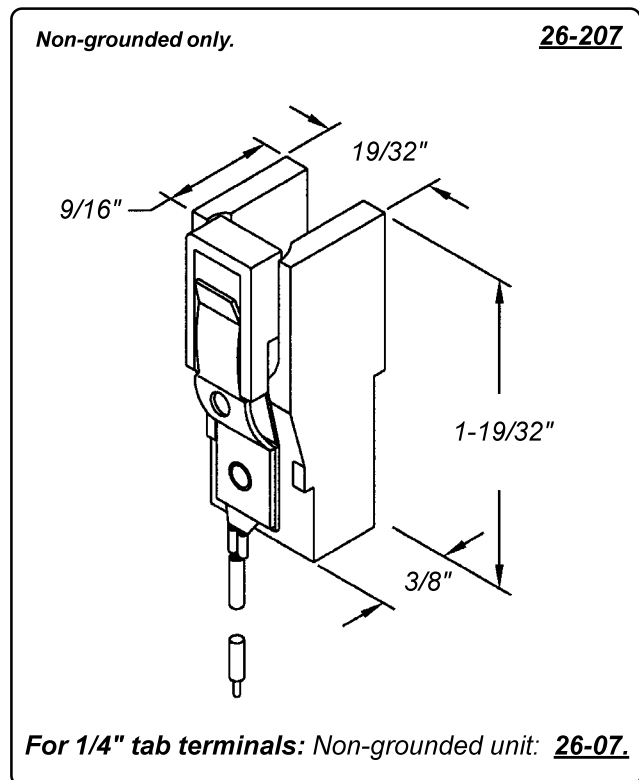
Wire leads:

4" lead: #18 AWG, black, tinned copper, silicone rubber, lacquered glass braid, UL Label SF-2 and CSA SEW-2, UL/CSA rated 600 volts, 200° C, stripped 1/2". Non-grounded units are supplied individually with one 4" wire lead. Custom wire lengths, stripping, termination and wire types are also available.

Terminals:

1/4" tab: zinc plated steel, 0.250" length x 0.032" width. Non-grounded units are supplied individually with one 1/4" tab terminal.

Maximum rating: 2000 Watts, 600 Volts.



Can't find it here? We have many more standard and custom solutions

The items in this product sheets are only a small representative sample of the complete VCC product line. We manufacture many additional products which are not shown in this product sheet due to space constraints.

Custom products can also be designed uniquely for you by our Technical Support Professionals. Starting from your ideas and specifications, we work with your personnel to develop timely and cost effective solutions for your miniature lighting needs.

VCC Technical Support Services are provided without charge and may include designs, prototypes and pre-production samples.

For further information, phone Customer Service at 800.522.5546.

X-ON Electronics

Largest Supplier of Electrical and Electronic Components

Click to view similar products for [Lamp Holders & Accessories](#) category:

Click to view products by [Visual Communications Company](#) manufacturer:

Other Similar products are found below :

[811730-1](#) [MS25041-8-327](#) [162-8430-0931-502-327](#) [PBMBN](#) [251-7538-15-504](#) [2802](#) [294502](#) [162-8430-0932-502-327](#) [183-9730-14-602](#) [21-](#)
[16](#) [251-8738-15-504](#) [259-1930-29-801](#) [2707508753800](#) [350-0410-01-203](#) [367-8430-0971-503](#) [367-8430-09-802](#) [367-8430-09-810](#) [371-](#)
[8738-14-504](#) [4610](#) [367-8430-0972-503](#) [367-8430-09-808](#) [367-8430-09-809](#) [492H412-9](#) [MS25256-2-327](#) [737AS15](#) [830-1430-14-503](#)
[PBMBP](#) [851-1030-0001-504](#) [047340229301](#) [061131002301](#) [081041001100](#) [019310105301](#) [080320205303](#) [361-8836-0931-552](#)
[1.71.209.001/0000](#) [1301910073](#) [04-12](#) [02-82](#) [26-07](#) [07-20](#) [101-8430-09-203](#) [177-8430-09-503](#) [162-8430-0937-502](#) [812-1030-09-506](#) [250-](#)
[8738-14-504](#) [125-1310-11-103](#) [270-1930-702](#) [MS25041-7-327](#) [162-8430-0931-502](#) [95-5763-09-311](#)