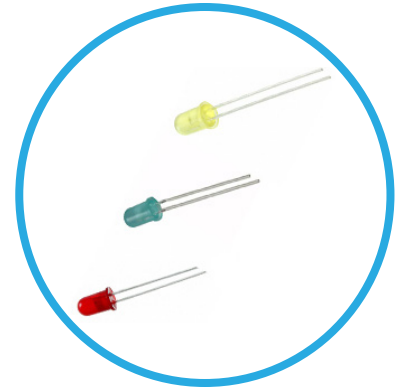
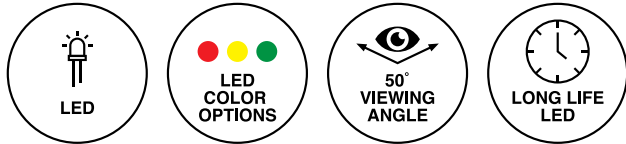




# 4300HLC Series 5mm (T-1 3/4) Through Hole LED Low Current



Ideal for limited current power supplies



## Application

- Automotive
- Industrial
- Railway
- Indoor and Outdoor Indication
- Appliances and Consumer Equipments
- Residential and Landscape Lighting
- Electronic Devices
- Storage Servers
- Infrastructure

## Key Features

- Through-hole technology
- With Flange
- LED Bulb Size: 5mm (T-1 3/4)
- Available in 3 colors (red, green and yellow)
- Moisture Sensitive Level (MSL): 1
- Low current requires only 2mA
- Viewing Angle: 50°
- Ideal for limited current power supplies
- RoHS and REACH Compliant

## Compliances and Approvals



# Product Specifications

## Part Numbers

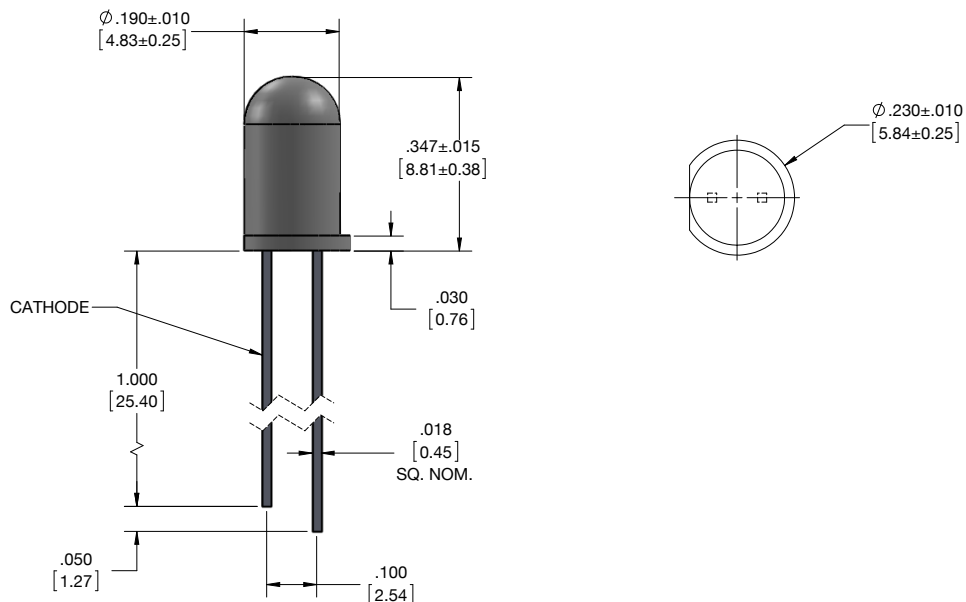
4300H1LC	4300H5LC	4300H7LC	Electro-Optical Characteristics And Ratings	Units
Red	Green	Yellow	Output Color	
Diffused	Diffused	Diffused	Diffusion	
Red	Green	Yellow	Package Color	
2	2	2	Test Current	mA
1.7	1.9	1.8	Forward Voltage Typ	V
2.0	2.2	2.5	Forward Voltage Max	V
1.5	1.0	.9	Luminous Intensity Min	mcd
2.3	2.3	2.1	Luminous Intensity Typ	mcd
4.2	-	-	Luminous Intensity Max	mcd
635	565	583	Peak Wavelength	nm
50	50	50	Viewing Angle 2Θ 1/2	degrees

4300H1LC	4300H5LC	4300H7LC	Absolute Maximum Ratings Ta = 25 °C	Units
14	15.4	17.5	Power Dissipation(Note 2)	mW
-40 to 100	-20 to 100	-40 to 100	Operating Temperature	°C
-40 to 100	-40 to 100	-40 to 100	Storage Temperature	°C
7	7	7	Peak Forward Current Max. (See Note 1)	mA
5	5	5	Reverse Voltage (Ir=50μA)	V
5	5	5	Lead Solder Time At 260°C	Seconds

### Notes:

1. 10 μSecond Pulse

## Product Dimensions



### Notes:

All dimensions are in inches [millimeters]

## X-ON Electronics

Largest Supplier of Electrical and Electronic Components

*Click to view similar products for* [Standard LEDs - Through Hole category:](#)

*Click to view products by* [Visual Communications Company manufacturer:](#)

Other Similar products are found below :

[LTL-10254W](#) [LTL-1214A](#) [LTL-3251A](#) [LTL-4262N](#) [LTL-433P](#) [LTL-5234](#) [LTL87HTBK](#) [LTL-87HD4B](#) [HLMP-EL30-PS0DD](#)  
[1L0532V23G0TD001](#) [NSPW500CS](#) [NTE30036](#) [NTE30044](#) [NTE30059](#) [NTE3020](#) [LD CQDP-1U3U-W5-1-K](#) [LO566UHR3-70G-A3](#)  
[LP379PPG1C0G0300001](#) [SLX-LX3044GD](#) [SLX-LX3044ID](#) [SLX-LX3044YD](#) [1.90690.3330000](#) [SSS-LX4673ID-410B](#) [1L0532Y24I0TD001](#)  
[264-7SYGD/S530-E2](#) [HLMP-1301-G00FG](#) [HLMP1385](#) [LTL-10224W](#) [LTL-1224A](#) [LTL-1234A](#) [LTL-2251AT](#) [LTL-307YE-012](#) [LTL-](#)  
[403HR](#) [LTL-4222](#) [LU7-E-B](#) [4380H1](#) [TLHY44K1L2](#) [HLMP-3962-F0002](#) [HLMP-EG1H-Y10DD](#) [HLMP-EG2H-XZ0DD](#) [HLMP-GG15-](#)  
[R0000](#) [323-2SURD/S530-A3](#) [L53SRC/E-Z](#) [L-7679C1ZGC](#) [4302T1-5V](#) [4306D23](#) [4363D1/5](#) [WP1503SRC/J4](#) [WP153GDT](#) [WP153YDT](#)