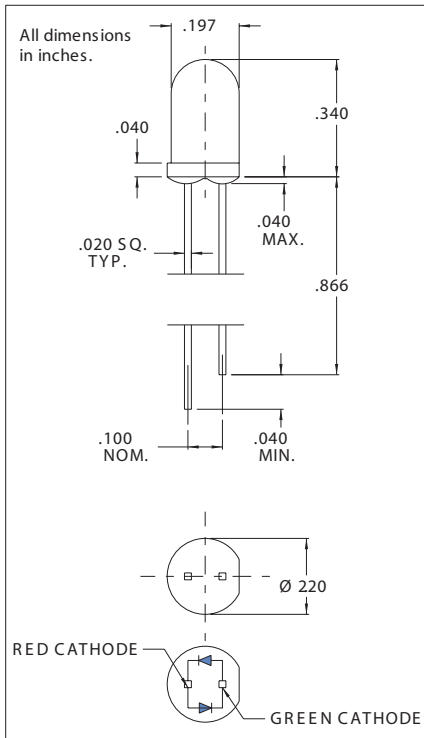


## 4301H1/5 Series Solid State LED Lamps-High Brite Bi-Color T-1 3/4 (5mm) Description and Features



### T-1 3/4 Dual Color LED

- Provides red and green in the same two lead packages.
- Chips are brightness matched-green and red light is uniform.

## Electro-Optical Characteristics and Ratings

PART NUMBER	4301H1/5
Output Color	Red/Green
Diffusion	Diffused
Package Color	Clear
Rated Current (mA)	10
Forward Voltage Typ. (V)	2.2
Forward Voltage Max. (V)	2.8
Luminous Intensity Min. (mcd)	3
Luminous Intensity Typ. (mcd)	6
Luminous Intensity Max. (mcd)	-
Peak Wavelength (nm)	650/568
Viewing Angle 20 1/2 (degrees)	50
Power Dissipation (mW)	115
Continuous Forward Current Max. (mA)	25
Peak Forward Current @ 1ms-300 PPS (A)	.06
Reverse Breakdown Voltage Min. (V)	-

## X-ON Electronics

Largest Supplier of Electrical and Electronic Components

*Click to view similar products for* [Standard LEDs - Through Hole category:](#)

*Click to view products by* [Visual Communications Company manufacturer:](#)

Other Similar products are found below :

[LTL-10254W](#) [LTL-1214A](#) [LTL-3251A](#) [LTL-4262N](#) [LTL-433P](#) [LTL-5234](#) [LTL87HTBK](#) [LTL-87HD4B](#) [HLMP-EL30-PS0DD](#)  
[1L0532V23G0TD001](#) [NSPW500CS](#) [NTE30036](#) [NTE30044](#) [NTE30059](#) [NTE3020](#) [LD CQDP-1U3U-W5-1-K](#) [LO566UHR3-70G-A3](#)  
[LP379PPG1C0G0300001](#) [SLX-LX3044GD](#) [SLX-LX3044ID](#) [SLX-LX3044YD](#) [1.90690.3330000](#) [SSS-LX4673ID-410B](#) [1L0532Y24I0TD001](#)  
[264-7SYGD/S530-E2](#) [HLMP-1301-G00FG](#) [HLMP1385](#) [LTL-10224W](#) [LTL-1224A](#) [LTL-1234A](#) [LTL-2251AT](#) [LTL-403HR](#) [LTL-4222](#)  
[LU7-E-B](#) [4380H1](#) [TLHY44K1L2](#) [484-10SYGT/S530-E2](#) [HLMP-3962-F0002](#) [HLMP-GG15-R0000](#) [323-2SURD/S530-A3](#) [L53SRC/E-Z](#) [L-](#)  
[7679C1ZGC](#) [4302T1-5V](#) [4306D23](#) [4363D1/5](#) [WP1503SRC/J4](#) [WP153GDT](#) [WP153YDT](#) [WP1543SGC](#) [WP1543SURC](#)