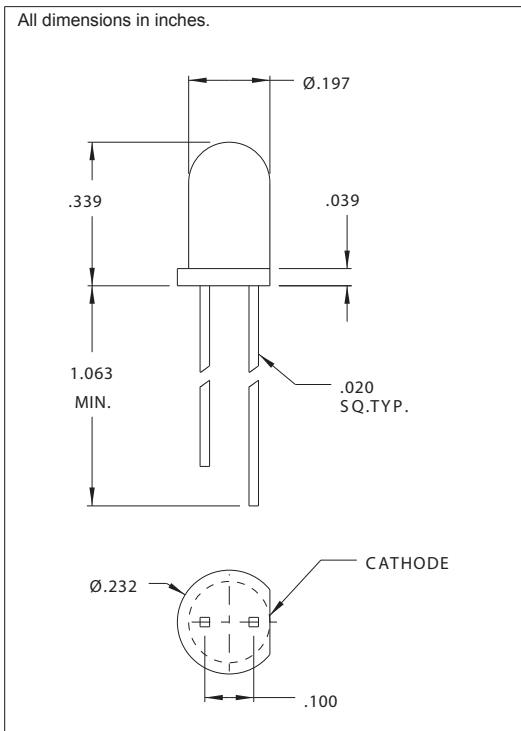


4301H1/1, H5/5, H7/7 Series Solid State LED Lamp-Bi-Polar-AC/DC Operation T-1 3/4

Description and Features



T-1 3/4 Super Brite (Green)

Bi-Polar LEDs

- Ideal for use on AC or DC where polarity cannot be determined.

Electro-Optical Characteristics and Ratings

| PART NUMBER | 4301H1/1 | 4301H5/5 | 4301H7/7 |
|---------------------------------------|----------|----------|----------|
| Output Color | Red | Green | Yellow |
| Diffusion | Diffused | Diffused | Diffused |
| Package Color | Red | Green | Yellow |
| Test Current (mA) | 20 | 20 | 20 |
| Forward Voltage Typ. (V) | 2.0 | 2.2 | 2.1 |
| Forward Voltage Max. (V) | 2.5 | 2.5 | 2.5 |
| Luminous Intensity Min. (mcd) | 8.0 | 5.0 | 5.0 |
| Luminous Intensity Typ. (mcd) | 20 | 20 | 20 |
| Continuous Forward Current Max. (mA) | 30 | 25 | 30 |
| Peak Wavelength (nm) | 625 | 565 | 590 |
| Viewing Angle 2θ 1/2 (degrees) | 60 | 60 | 60 |
| Power Dissipation (mW) | 105 | 105 | 105 |
| Capacitance @ $V=0$ (mW/IC) | 12 | 45 | 10 |

X-ON Electronics

Largest Supplier of Electrical and Electronic Components

Click to view similar products for [Standard LEDs - Through Hole category:](#)

Click to view products by [Visual Communications Company manufacturer:](#)

Other Similar products are found below :

[LTL-10254W](#) [LTL-1214A](#) [LTL-3251A](#) [LTL-4262N](#) [LTL-433P](#) [LTL-5234](#) [LTL87HTBK](#) [LTL-87HD4B](#) [HLMP-EL30-PS0DD](#)
[1L0532V23G0TD001](#) [NSPW500CS](#) [NTE30036](#) [NTE30044](#) [NTE30059](#) [NTE3020](#) [LD CQDP-1U3U-W5-1-K](#) [LO566UHR3-70G-A3](#)
[LP379PPG1C0G0300001](#) [SLX-LX3044GD](#) [SLX-LX3044ID](#) [SLX-LX3044YD](#) [1.90690.3330000](#) [SSS-LX4673ID-410B](#) [1L0532Y24I0TD001](#)
[264-7SYGD/S530-E2](#) [HLMP-1301-G00FG](#) [HLMP1385](#) [LTL-10224W](#) [LTL-1224A](#) [LTL-1234A](#) [LTL-2251AT](#) [LTL-403HR](#) [LTL-4222](#)
[LU7-E-B](#) [4380H1](#) [TLHY44K1L2](#) [484-10SYGT/S530-E2](#) [HLMP-3962-F0002](#) [HLMP-GG15-R0000](#) [323-2SURD/S530-A3](#) [L53SRC/E-Z](#) [L-](#)
[7679C1ZGC](#) [4302T1-5V](#) [4306D23](#) [4363D1/5](#) [WP1503SRC/J4](#) [WP153GDT](#) [WP153YDT](#) [WP1543SGC](#) [WP1543SURC](#)