

Mounting Clips for T-1 (3mm) & T-1 3/4 (5mm) LEDs

Description and Features

Series 4303MC

•This attractive and economical mounting clip installs quickly and provides secure mounting for T-1 high dome LEDs such as 4303F Series.

Material: Black polypropylene

Mounting Hole: \varnothing .180 min. in panels up to .130 thick.

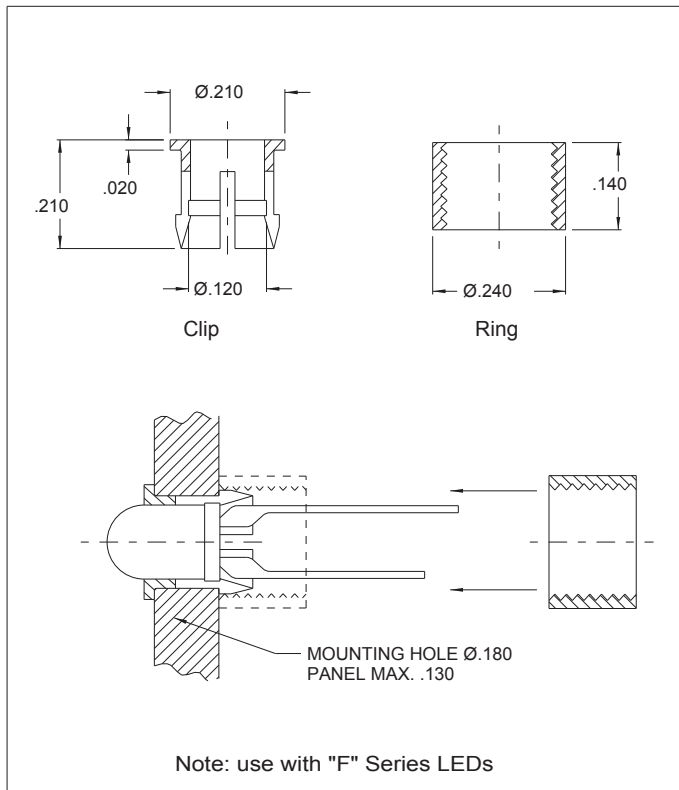
Series 4304MC

•This attractive and economical mounting clip installs quickly and provides secure mounting for T-1 3/4 high dome LEDs such as 4301H, 4304H, 4305H or 4308H Series.

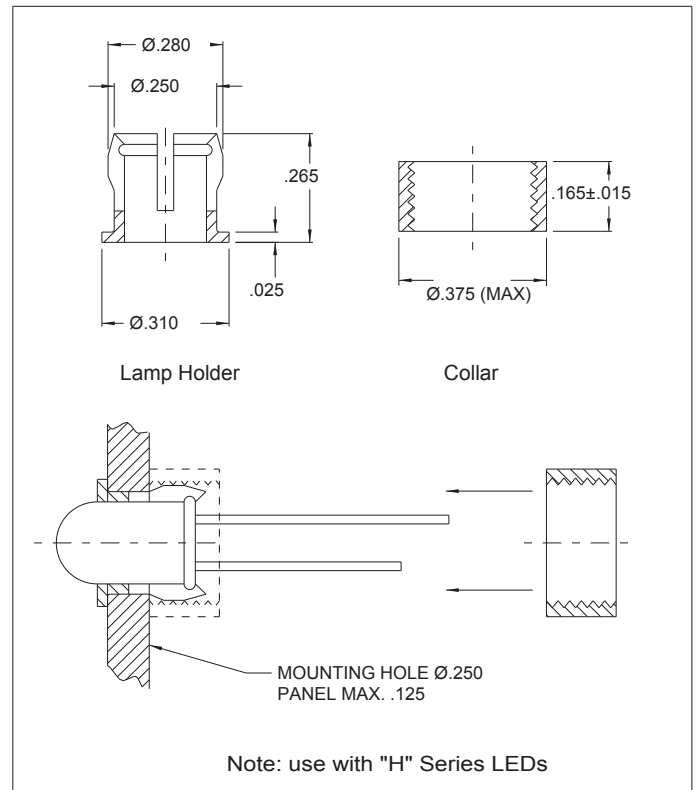
Material: Black polypropylene

Mounting Hole: \varnothing .250 min. in panels up to .125 thick.

Outline Dimensions



Outline Dimensions



All dimensions in inches.

X-ON Electronics

Largest Supplier of Electrical and Electronic Components

Click to view similar products for [LED Mounting Hardware](#) category:

Click to view products by [Visual Communications Company](#) manufacturer:

Other Similar products are found below :

[00624250](#) [00624750](#) [M2200](#) [7047](#) [990-4901-010](#) [990-8115-001](#) [CMP22](#) [M16-T1](#) [C-101](#) [L2K-L4GD](#) [L2K-L5XL](#) [LDN51-125SL/BT](#)
[00624500](#) [7046](#) [7056](#) [SN3486](#) [26-0053](#) [TC4-R-](#) [SLQ16](#) [LM6-2](#) [LM12-1](#) [LM10-1](#) [CM00624375](#) [CM00624900](#) [RNG132](#) [FIX-LEDH-10.5](#)
[FIX-LEDH-11](#) [FIX-LEDH-11.5](#) [FIX-LEDH-12](#) [FIX-LEDH-14](#) [FIX-LEDH-17](#) [FIX-LEDH-18](#) [FIX-LEDH-4](#) [FIX-LEDH-4.5](#) [FIX-LEDH-7.5](#)
[FIX-LEDH-9.5](#) [FIX-LEDS-1.5](#) [FIX-LEDS-2](#) [FIX-LEDS-3.5](#) [FIX-LEDT-11](#) [FIX-LEDT-20](#) [FIX-LEDT-26](#) [FIX-LEDT-5](#) [FIX-LEDT-9](#)
[SQLEDS2-4-26](#) [7382](#) [CNXDX4624](#) [CNXDX4608](#) [CNXDF4608](#) [4740](#)