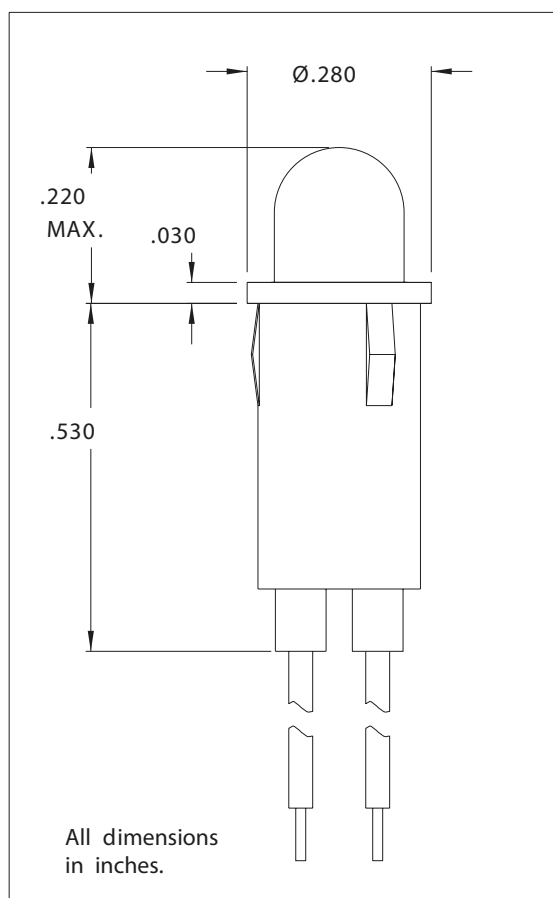




5100H Series Panel Mounting LED Indicator Lights with Wire Leads 1/4" Diameter Mounting Hole



Features

- Super-Brite 30mcd
- Low current
- Built-in resistor chip operates directly off 5 volt or 12 volt supply without external resistor.
- Flashing LED option feature available

Mounting: Will snap-fit into Ø.249"/.254" hole in panels .031"/.062" thick.

Wire Leads: No. 24 AWG, 6" insulated, bonded strands, stripped 1/2"

Anode(+): Red Lead

Housing: Black Nylon

Alternate LEDs are also available in this package as standard variations.

| Part Number | Emitted Color | Typical Intensity (mcd) | Rated Current (mA) | Continuous Forward Current Max. (mA) | Forward Voltage | | Peak Forward Current @ 1ms-300 PPS (A) | Reverse Breakdown Voltage Min. (V) | Peak Wavelength (nm) |
|-------------|---------------|-------------------------|--------------------|--------------------------------------|-----------------|----------|--|------------------------------------|----------------------|
| | | | | | Typ. (V) | Max. (V) | | | |
| 5100H1 | Red | 30 | 20 | 35 | 2.0 | 3.0 | 1.0 | 5 | 635 |
| 5100H3 | Amber | 20 | 20 | 35 | 2.0 | 3.0 | 1.0 | 5 | 608 |
| 5100H5 | Green | 30 | 20 | 30 | 2.2 | 3.0 | .09 | 5 | 562 |
| 5100H6 | Blue | 3.0 | 45 | 50 | 3.4 | 3.9 | - | 5 | 470 |
| 5100H7 | Yellow | 25 | 20 | 35 | 2.1 | 3.0 | 1.0 | 5 | 585 |
| 5100H1LC | Red | 2.0 | 2 | 7 | 1.8 | 2.2 | .007 | 5 | 635 |
| 5100H5LC | Green | 2.5 | 2 | 7 | 1.8 | 2.2 | .007 | 5 | 565 |
| 5102H1-5V | Red | 6.0 | 10 | 15 | 5 | 7.5 | - | 5 | 635 |
| 5102H3-5V | Amber | 10.0 | 20 | - | 5 | - | - | 5 | 585 |
| 5102H5-5V | Green | 10.0 | 12 | 15 | 5 | 7.5 | - | 5 | 565 |
| 5102H1-12V | Red | 4.0 | 13 | 15 | 12 | 20.0 | - | 5 | 635 |
| 5102H3-12V | Amber | 4.0 | 13 | 15 | 12 | 20.0 | - | 5 | 583 |
| 5102H5-12V | Green | 4.0 | 13 | 15 | 12 | 20.0 | - | 5 | 565 |
| 5100H1FL | Red | 80 | 20 | 38-56 | 9-12 | 13.0 | - | 0.5 | 625 |
| 5100H5FL | Green | 32 | 20 | 38-56 | 9-12 | 13.0 | - | 0.5 | 565 |
| 5100H7FL | Yellow | 32 | 20 | 38-56 | 9-12 | 13.0 | - | 0.5 | 590 |

Low Current

Built-In Resistor 5 Volts

Built-In Resistor 12 Volts

Flashing LED

X-ON Electronics

Largest Supplier of Electrical and Electronic Components

Click to view similar products for [LED Panel Mount Indicators](#) category:

Click to view products by [Visual Communications Company](#) manufacturer:

Other Similar products are found below :

[607-3232-140F](#) [821-0331-503](#) [FL2870C8R](#) [FL2950WL7B](#) [FL2950WL8G](#) [FL589WL8R](#) [FL67C8R](#) [H8630FBBA3](#) [NL177WL2A](#)
[NL177WL3G](#) [NL276C2A](#) [NL2950BWL3G](#) [NL589WL2R](#) [NL67C2C](#) [NL67C3R](#) [C480AABG3](#) [PB22BM41K](#) [PB22SIM40Y](#)
[PB22SKRS31KC](#) [L32R-R2-2311](#) [L3353-MWRG](#) [L39UR-R24-2111](#) [L58D-G2-W](#) [L58D-Y2-W](#) [L59D-R12-W](#) [L59UD-R12-W](#) [L625DG](#)
[L625DR](#) [LE177WL39007](#) [LH1048BSWL3702](#) [LH1048BWL3702](#) [LH382A](#) [LH677G](#) [LHM628A](#) [FL276WL7R](#) [FL2950BWL7R](#)
[FL2950WL7R](#) [FL2950WL8R](#) [FL2950WL8R-12](#) [FL2951WL8G](#) [FL2951WL8R](#) [FL589C7R](#) [FL67WL8G](#) [MPC5BCW18.0](#) [556-1605-808F](#)
[556-1705-809F](#) [556-3008-839F](#) [558-0201-818F](#) [559-0001-813F](#) [559-1301-801F](#)