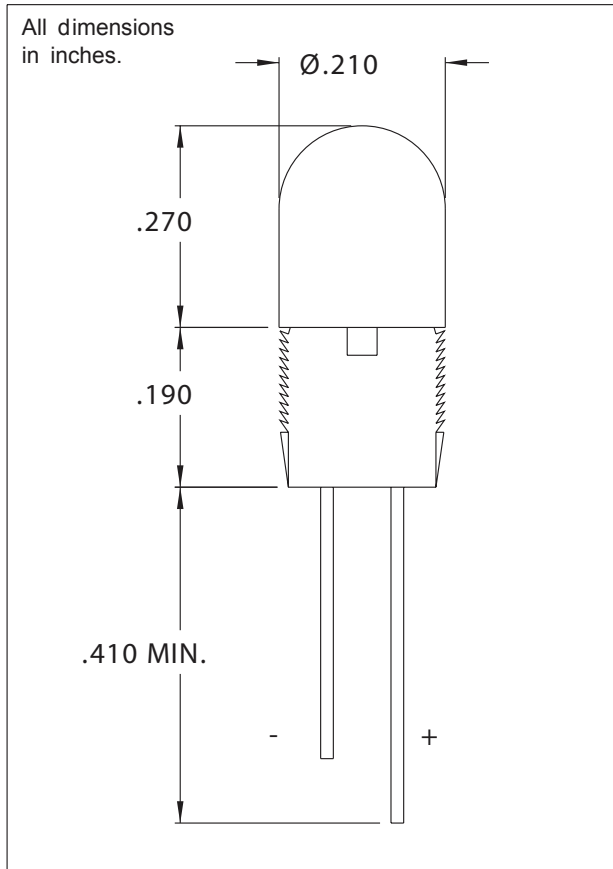


5200F Series Panel Mounted LED Indicator Light

Description and Features



Features

- Quick push-in panel mounting
- Attractive appearance.
- Wide angle visibility.
- High-intensity light output (GaAsP on GaP for red GaP for green.)

These assemblies offer the superior performance of SUPER BRITE LEDs in a package that is economical to buy and install.

Mounting: Will snap-fit into $\text{Ø}.187/.192$ hole in panels
.020/.097 thick

Lens: Polycarbonate

Electro-optical Characteristics

| Part Number | Color | Typ. Intensity (mcd) | Rated Current (mA) | Continuous Forward Current Max. (mA) | Forward Voltage Typ. (V) | Forward Voltage Max. (V) | Peak Forward Current @ 1ms-300pps (A) | Reverse Break-down Voltage Min. (V) |
|-------------|-------|----------------------|--------------------|--------------------------------------|--------------------------|--------------------------|---------------------------------------|-------------------------------------|
| 5200F1 | Red | 6 | 10 | 30 | 2.0 | 3.0 | 1.0 | 5 |
| 5200F5 | Green | 12 | 20 | 30 | 2.2 | 3.0 | .09 | 5 |

X-ON Electronics

Largest Supplier of Electrical and Electronic Components

Click to view similar products for [LED Panel Mount Indicators](#) category:

Click to view products by [Visual Communications Company](#) manufacturer:

Other Similar products are found below :

[607-3232-140F](#) [821-0331-503](#) [FL2870C8R](#) [FL2950WL7B](#) [FL2950WL8G](#) [FL589WL8R](#) [FL67C8R](#) [H8630FBBA3](#) [NL177WL2A](#)
[NL177WL3G](#) [NL276C2A](#) [NL2950BWL3G](#) [NL589WL2R](#) [NL67C2C](#) [NL67C3R](#) [C480AABG3](#) [PB22BM41K](#) [PB22SIM40Y](#)
[PB22SKRS31KC](#) [L32R-R2-2311](#) [L3353-MWRG](#) [L39UR-R24-2111](#) [L58D-G2-W](#) [L58D-Y2-W](#) [L59D-R12-W](#) [L59UD-R12-W](#) [L625DG](#)
[L625DR](#) [LE177WL39007](#) [LH1048BSWL3702](#) [LH1048BWL3702](#) [LH382A](#) [LH677G](#) [LHM628A](#) [FL276WL7R](#) [FL2950BWL7R](#)
[FL2950WL7R](#) [FL2950WL8R](#) [FL2950WL8R-12](#) [FL2951WL8G](#) [FL2951WL8R](#) [FL589C7R](#) [FL67WL8G](#) [MPC5BCW18.0](#) [556-1605-808F](#)
[556-1705-809F](#) [556-3008-839F](#) [558-0201-818F](#) [559-0001-813F](#) [559-1301-801F](#)