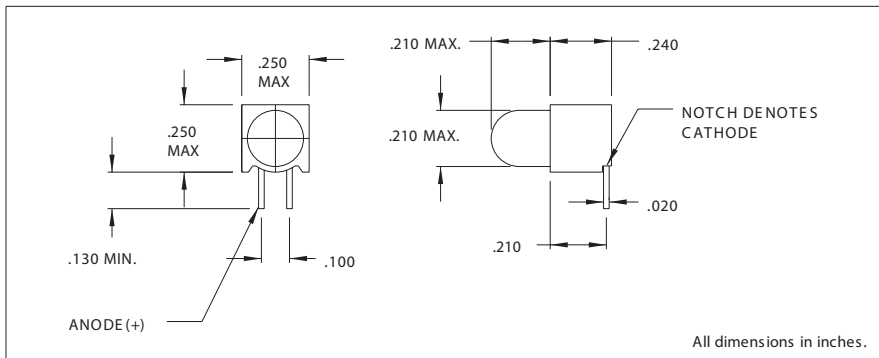


5380 Series T-1 3/4 Right Angle LED Assembly

Description and Features



Features

- Block mounting, height and spacing alignment saves assembly cost and time.
- Super Brite LEDs, high intensity light output, diffused lens.
- Built-in resistor chip operates off 5V or 12V supply without external resistor.
- Standoffs prevent flux entrapment.
- RoHS Compliant

Housing: Black Nylon, UL94V-O

Alternate LEDs are also available in this package as a standard variation.

Electro-Optical Characteristics and Ratings

Part Number	Color	Typ. Intensity (mcd)	Rated Current (mA)	Continuous Forward CurrentMax. (mA)	Forward VoltageTyp. (V)	Forward VoltageMax. (V)	PeakForward Current@1ms-300pps(A)	Reverse Break-down VoltageMin. (V)	Peak Wavelength (nm)
5380H1	Red	6.3	10	60	2.0	3.0	1.0	5	650
5380H3	Amber	10	10	60	2.0	3.0	1.0	5	608
5380H5	Green	10	10	60	2.2	2.5	.09	5	563
5380H7	Yellow	6.3	10	60	2.1	3.0	1.0	5	585
5380H1LC	Red	2.3	2.0	7	1.8	2.2	.007	5	635
5380H5LC	Green	2.3	2.0	7	1.8	2.2	.007	5	565
5380H7LC	Yellow	2.1	2.0	7	1.9	2.7	.007	5	585
5380H1-5V	Red	8	10	15	5	7.5	-	5	635
5380H3-5V	Amber	10	20	-	5	-	-	5	585
5380H5-5V	Green	8	10	15	5	7.5	-	5	565
5380H1-12V	Red	8	12	15	12.0	15.0	-	5	635
5380H3-12V	Amber	8	12	15	12.0	15.0	-	5	583
5380H5-12V	Green	8	12	15	12.0	15.0	-	5	565

X-ON Electronics

Largest Supplier of Electrical and Electronic Components

Click to view similar products for [LED Circuit Board Indicators](#) category:

Click to view products by [Visual Communications Company](#) manufacturer:

Other Similar products are found below :

[568-0701-841F](#) [LTL-4221NH129](#) [LTL-42DGNMHDP1](#) [HLMP1521101](#) [HLMP1523802F](#) [HLMP1700101F](#) [HLMP1700104F](#) [SMF-HM1530YD-305](#) [SSF-LXH409SYSUGW](#) [AM2520EHSGD](#) [HLMP1301104F](#) [HLMP1385101F](#) [HLMP1421101](#) [HLMP1503103F](#) [HLMP1503104F](#) [HLMP1700102F](#) [HLMP1700106F](#) [HLMP1700107F](#) [HLMP1790101F](#) [HLMP1790103F](#) [LTL-4211NHBP](#) [5390H3](#) [551-2802F](#) [552-0794-810F](#) [553-0222-812F](#) [HT3-BC-T](#) [564-0700-831F](#) [WP59BLGEW](#) [103-3101-1231-403](#) [5502407811F](#) [550-3007-810F](#) [551-3307MF](#) [552080-1](#) [573-2399-100F](#) [5932-927-2701-3F](#) [SMF-HM1530SRD-509](#) [SSF-LXH100MID](#) [SSF-LXH2103SRSDRP](#) [SSF-LXH555USBW](#) [WP937SB/4YGW](#) [WP937EB2EGW](#) [551-0312-802F](#) [553-0110-802F](#) [561-5501-050F](#) [6202T3-5VLC](#) [LTL-307G08A-D](#) [CMD57164](#) [568-2231-313F](#) [568-0102-809F](#) [568-0102-808F](#)