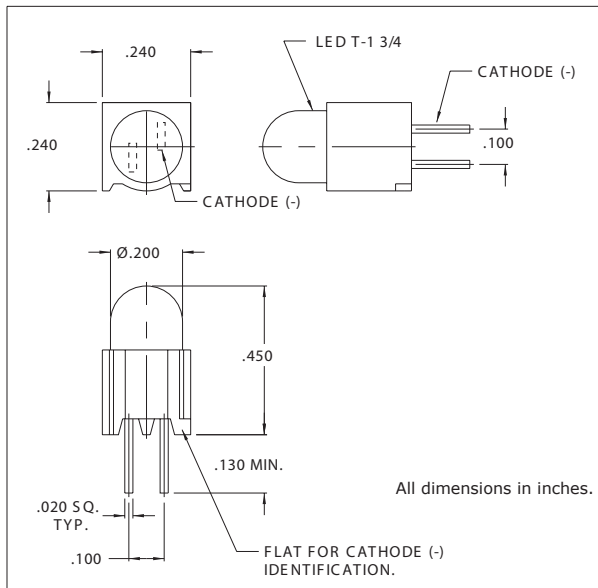


5381 Series T-1 3/4 Vertical LED Assembly

Description and Features



Features

- Block mounting, low profile design, height & space alignment-saves assembly costs.
- SuperBriteLEDs
- Standoffs prevent flux entrapment.
- Low current-only 2mA needed.
- Built-in resistor chip-operates directly off 5 Volt supply without external resistor.
- RoHS Compliant

Housing: Black Nylon, UL94V-O

Note: Alternate LEDs are also available in this package as a standard variation.

Refer to "Mounting Hole Pattern 2.pdf"

Electro-Optical Characteristics and Ratings

| PartNumber | Emitted Color | Typical Intensity (mcd) | Rated Current (mA) | Continuous Forward CurrentMax. (mA) | ForwardVoltage | | PeakForward Current@ 1ms-300PPS (A) | Reverse Breakdown VoltageMin. (V) | Peak Wavelength (nm) |
|------------|---------------|-------------------------|--------------------|-------------------------------------|----------------|----------|-------------------------------------|-----------------------------------|----------------------|
| | | | | | Typ. (V) | Max. (V) | | | |
| 5381H1 | Red | 6.3 | 10 | 60 | 2.0 | 3.0 | 1.0 | 5 | 650 |
| 5381H3 | Amber | 10 | 10 | 60 | 2.0 | 3.0 | 1.0 | 5 | 608 |
| 5381H5 | Green | 10 | 10 | 60 | 2.2 | 3.0 | .09 | 5 | 563 |
| 5381H7 | Yellow | 10 | 10 | 60 | 2.1 | 3.0 | 1.0 | 5 | 585 |
| 5381H1LC | Red | 2.3 | 2.0 | 7 | 1.8 | 2.2 | .007 | 5 | 635 |
| 5381H5LC | Green | 2.3 | 2.0 | 7 | 1.8 | 2.2 | .007 | 5 | 565 |
| 5381H7LC | Yellow | 2.1 | 2.0 | 7 | 1.9 | 2.7 | .007 | 5 | 583 |
| 5381H1-5V | Red | 8 | 10 | 15 | 5 | 7.5 | - | 5 | 635 |
| 5381H3-5V | Amber | 8 | 10 | 15 | 5 | 7.5 | - | 5 | 583 |
| 5381H3-5V | Green | 8 | 10 | 15 | 5 | 7.5 | - | 5 | 565 |

X-ON Electronics

Largest Supplier of Electrical and Electronic Components

Click to view similar products for [LED Circuit Board Indicators](#) category:

Click to view products by [Visual Communications Company](#) manufacturer:

Other Similar products are found below :

[568-0701-841F](#) [LTL-4221NH129](#) [LTL-42DGNMHDP1](#) [HLMP1521101](#) [HLMP1523802F](#) [HLMP1700101F](#) [HLMP1700104F](#) [SMF-HM1530YD-305](#) [SSF-LXH409SYSUGW](#) [AM2520EHSGD](#) [HLMP1301104F](#) [HLMP1385101F](#) [HLMP1421101](#) [HLMP1503103F](#) [HLMP1503104F](#) [HLMP1700102F](#) [HLMP1700106F](#) [HLMP1700107F](#) [HLMP1790101F](#) [HLMP1790103F](#) [LTL-4211NHBP](#) [5390H3](#) [551-2802F](#) [552-0794-810F](#) [553-0222-812F](#) [HT3-BC-T](#) [564-0700-831F](#) [WP59BLGEW](#) [103-3101-1231-403](#) [5502407811F](#) [550-3007-810F](#) [551-3307MF](#) [552080-1](#) [573-2399-100F](#) [5932-927-2701-3F](#) [SMF-HM1530SRD-509](#) [SSF-LXH100MID](#) [SSF-LXH2103SRSDRP](#) [SSF-LXH555USBW](#) [WP937SB/4YGW](#) [WP937EB2EGW](#) [551-0312-802F](#) [553-0110-802F](#) [561-5501-050F](#) [6202T3-5VLC](#) [LTL-307G08A-D](#) [CMD57164](#) [568-2231-313F](#) [568-0102-809F](#) [568-0102-808F](#)