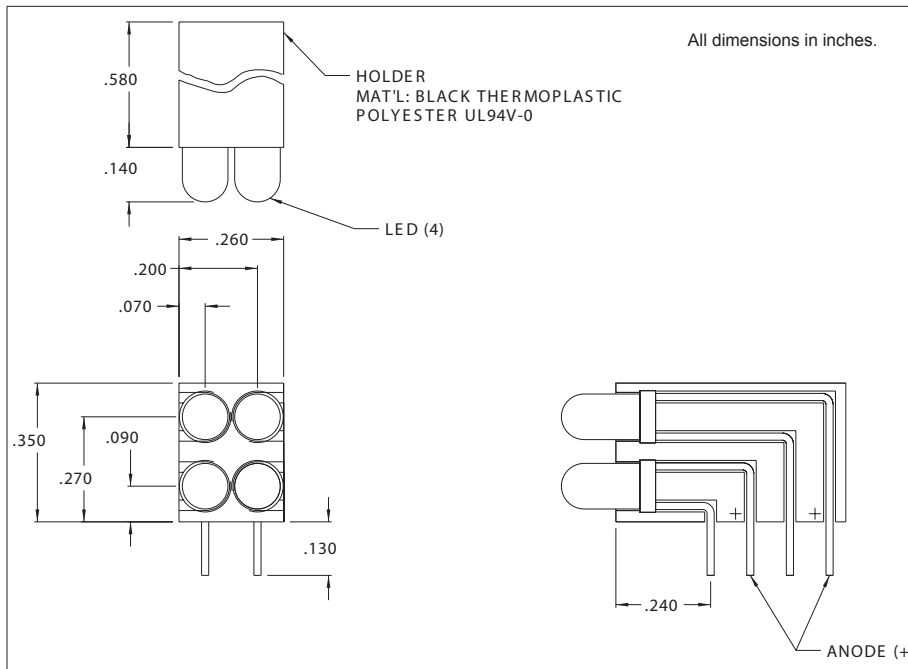


5684F Series PC Board Quad Array T-1 LEDs

Description and Features



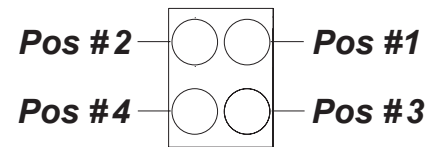
Features

- 4 T-1 LEDs mounted in single block
- High density - only 0.26" wide
- Black plastic mounting block for high contrast ratio.
- Meets UL 94V-0 and Bellcore flammability specifications .
- RoHS Compliant

Available options :

- Low current, 5V and 12V built-in resistors .
- Bi-color and blue LEDs also offered.
- Call factory for ordering information.

Refer to "Mounting Hole Pattern 2.pdf"



Ordering Information: Use chart below to determine model number.

| | Red | Amber | Green | Yellow |
|-----|-----|-------|-------|--------|
| LED | 1 | 3 | 5 | 7 |

Model No. is as follows: 5684F Pos. 1 _ Pos. 2 _ Pos. 3 _ Pos. 4

Example: Position 1 is green, position 2 is red, position 3 is yellow, position 4 is amber. The part number is 5684F5_1_7_3.

Electro-Optical Characteristics and Ratings

| Part Number | Emitted Color | Rated Current (mA) | Typ. Intensity (mcd) | Continuous Forward Current Max. (mA) | Forward Voltage | | Reverse Breakdown Voltage Min.(V) | Peak Wavelength (nm) |
|--------------|---------------|--------------------|----------------------|--------------------------------------|-----------------|----------|-----------------------------------|----------------------|
| | | | | | Typ. (V) | Max. (V) | | |
| 5684F1_1_1_1 | Red | 10 | 10 | 25 | 2.2 | 3.0 | 5.0 | 635 |
| 5684F3_3_3_3 | Amber | 10 | 6.5 | 25 | 2.2 | 3.0 | 5.0 | 602 |
| 5684F5_5_5_5 | Green | 10 | 8.5 | 25 | 2.3 | 3.0 | 5.0 | 565 |
| 5684F7_7_7_7 | Yellow | 10 | 10 | 25 | 2.2 | 3.0 | 5.0 | 583 |

X-ON Electronics

Largest Supplier of Electrical and Electronic Components

Click to view similar products for [LED Circuit Board Indicators](#) category:

Click to view products by [Visual Communications Company](#) manufacturer:

Other Similar products are found below :

[568-0701-841F](#) [LTL-4221NH129](#) [LTL-42DGNMHDP1](#) [HLMP1521101](#) [HLMP1523802F](#) [HLMP1700101F](#) [HLMP1700104F](#) [BHA-1564-G](#)
[SMF-HM1530YD-305](#) [SSF-LXH409SYSUGW](#) [AM2520EHSGD](#) [HLMP1301104F](#) [HLMP1385101F](#) [HLMP1421101](#) [HLMP1503103F](#)
[HLMP1503104F](#) [HLMP1700102F](#) [HLMP1700106F](#) [HLMP1700107F](#) [HLMP1790101F](#) [HLMP1790103F](#) [LTL-4211NHBP](#) [5390H3](#) [551-](#)
[2802F](#) [552-0794-810F](#) [553-0222-812F](#) [HT3-BC-T](#) [564-0700-831F](#) [WP59BLGEW](#) [103-3101-1231-403](#) [5502407811F](#) [550-3007-810F](#) [551-](#)
[3307MF](#) [552080-1](#) [573-2399-100F](#) [5932-927-2701-3F](#) [SMF-HM1530SRD-509](#) [SSF-LXH100MID](#) [SSF-LXH2103SRSDRP](#) [SSF-](#)
[LXH555USBW](#) [WP937SB/4YGW](#) [WP937EB2EGW](#) [HT3-BLU-T](#) [551-0312-802F](#) [553-0110-802F](#) [6202T3-5VLC](#) [LTL-307G08A-D](#)
[CMD57164](#) [568-2231-313F](#) [568-0102-809F](#)