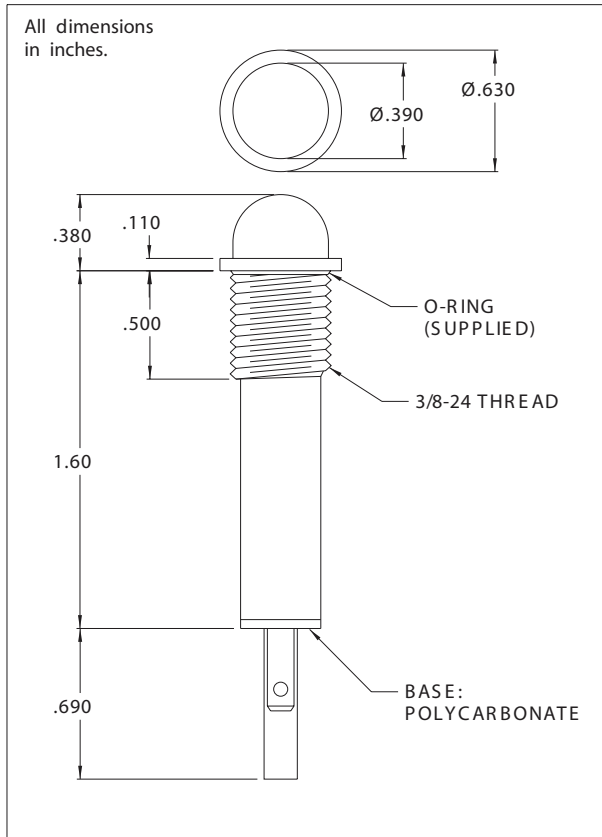


6010QM, 6011QM, 6012QM, 6013QM and 6091QM Series Oil-Tight Non-Relampable Neon-LED Indicator Lights

Description and Features



Solid-state indicator lights complete with built-in current-limiting resistor and rectifier diode.

Meets NEMA Class 13

Mounting: Ø.380 min. hole. Supplied with internal tooth lock washer and hex nut. Mounting hole pattern on page SP2.

Lens: Polycarbonate

Terminals: Quick-connect, tinned brass .187 x .020

Bezel: Polished stainless steel.

Gaskets: Buna-N

Housing: Black Nylon

| Lens Color | Neon | |
|------------|---------------------------|---------------------------|
| | Model No. (105-125VAC) | Model No. (208-250VAC) |
| Red | 6010QM1 | 6011QM1 |
| Amber | 6010QM3 | 6011QM3 |
| Green | 6012QM5* | - |
| Lamp used | C2A+Resistor | C2A+Resistor |

* Incorporates G2B lamp and resistor.
Underwriters Laboratories (UL) File
No. E20356

| Lens Color | LED Solid State Indicator | | |
|--------------------------|---------------------------|----------------------|---------------------|
| | Model No. for 12V | Model No. for 24V | Incorporates LED |
| Red | 6091QM1-12V | 6091QM1-24V | 4304H1 |
| Green | 6091QM5-12V | 6091QM5-24V | 4304H5 |
| Yellow | 6091QM7-12V | 6091QM7-24V | 4304H7 |
| Internal Resistor (ohms) | 390 | 1000 | - |

Note: Also incorporates IN4004 (400 P.I.V.) rectifier diode.
Red lead positive.

X-ON Electronics

Largest Supplier of Electrical and Electronic Components

Click to view similar products for [Panel Mount Indicator Lamps](#) category:

Click to view products by [Visual Communications Company](#) manufacturer:

Other Similar products are found below :

[DNW1-DW33](#) [DNW21-DW10/BLA](#) [MS18237-1RN](#) [2195QA3-28V](#) [252-9951-0937-801](#) [252-9951-0973-811](#) [2990P6-28V](#) [CNW1-6838](#)
[DNW1-DW4812.5MMBLA BASE](#) [32-2317](#) [1090N5-12V](#) [2120C33](#) [01807.1102-01](#) [01807.1108-01](#) [32-2111T](#) [32R-2112T](#) [32R-2111](#) [32R-2113T](#) [32R-2311](#) [36EN-2312](#) [75R-2212T](#) [75R-2212](#) [R9-70N-01-220V-RED](#) [R9-92N-02-R](#) [1.63.521.099/0000](#) [34H-0581](#) [L282000NAC](#)
[DNW1-DW07](#) [L282000NAA](#) [1090QCX3-28V](#) [2195QA1-28V](#) [4702A5](#) [135-3272-003F](#) [135-3275-003F](#) [249-7866-1433-514](#) [249-7841-1431-574](#) [249-7841-0931-574](#) [249-7841-0933-544](#) [249-7841-0933-574](#) [249-7841-1435-574](#) [249-7866-0931-514](#) [249-7841-0331-544](#) [249-7841-0937-574](#) [249-7841-1433-544](#) [249-7841-1436-574](#) [249-7841-1437-574](#) [249-7866-0331-514](#) [249-7866-0937-514](#) [249-7841-1437-544](#) [249-7841-1433-574](#)