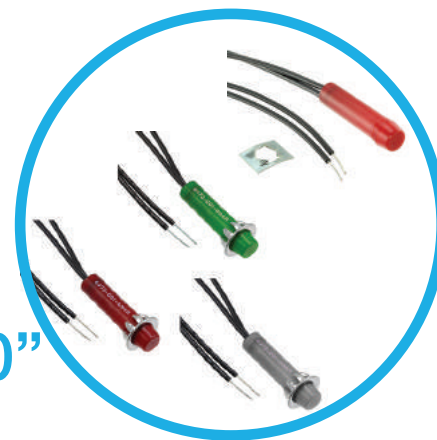




6063 and 6073 Series Panel Mount Indicator Mounting Hole 0.375" and 0.500"



6063 Series		6073 Series	
Flat Face	Conical Face	Flat face	Conical Face

All dimension in inches.

The Glo-Lite Indicator Lights are designed for applications requiring a low cost, line voltage power-on indicator. These indicator lights utilize a high brightness C2A neon lamp providing good visibility and a long life. These indicator lights are constructed with a one-piece body and lens and are available in two face configurations, flat or conical, with or without a chrome bezel.

Specifications

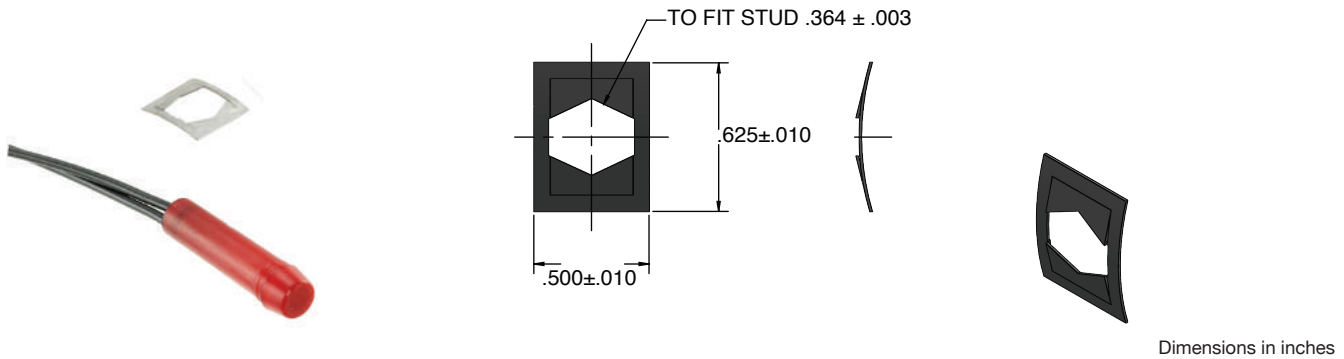
Part Number:	Description
6063-001-534R	Red, Flat Face, No Bezel. Speed Nut Included.
6063-001-634R	Red, Conical Face, No Bezel. Speed Nut Included.
6073-001-534R	Red, Flat Face, Chrome Bezel. Speed Nut not Included.
6073-001-634R	Red, Conical Face, Chrome Bezel. Speed Nut not Included.
6073-001-634G	Green, Conical Face, Chrome Bezel. Speed Nut not Included.
6073-001-634W	White, Conical Face, Chrome Bezel. Speed Nut not Included.

Mounting Hole:	.375 " for 6063 Series, .500 " for 6073 Series
Mounting Centers:	.500 " for 6063 Series, .688 " for 6073 Series
Maximum Panel Thickness:	1.25 " for 6063 Series, .078 " for 6073 Series
Housing/Lens Material:	Nylon
Bezel (6073 Series only):	Chrome Plated Brass
Wire Leads:	22 AWG, black 105°C PVC Insulation, stranded
Electrical:	125 Volts AC, Built-in 30K ohm 1/4 Watt resistor
Approvals:	UL recognized

Ordering Data

A push-on speed nut is included in the 6063 part numbers, which secures the indicator in place

- One piece, self-locking, heat-treated, spring-steel fastener that replaces threaded nut, lock washer or spanner washer.
- Eliminates time consuming assembly operations.
- Fast and easy to apply, the speed nut fastener provides maximum holding power at minimum cost per fastener.
- It does not shake loose from vibration, yet can be easily loosened without worry about rust-frozen screw threads.
- For smaller components where space is premium.
- Requires less torque than standard hex-nuts.
- Can be installed prior to painting processes so threads won't fill.



Material	
Speed Nut (one piece)	Spring steel .012 thick

Installation Specification	
Stud Size	$0.364'' \pm .003''$ ($9.245 \text{ mm} \pm 0.076 \text{ mm}$)

Speed nut to fit stud size $.364'' \pm .003''$, $.500'' \pm .010''$ wide x $.625'' \pm .010''$ thick.
Finish phosphate & zinc chromate

Compliance & Approvals



X-ON Electronics

Largest Supplier of Electrical and Electronic Components

Click to view similar products for [Panel Mount Indicator Lamps](#) category:

Click to view products by [Visual Communications Company](#) manufacturer:

Other Similar products are found below :

[DNW1-DW33](#) [DNW21-DW10/BLA](#) [MS18237-1RN](#) [2195QA3-28V](#) [252-9951-0937-801](#) [252-9951-0973-811](#) [2990P6-28V](#) [CNW1-6838](#)
[DNW1-DW4812.5MMBLA BASE](#) [32-2317](#) [1090N5-12V](#) [2120C33](#) [7511G2C](#) [DNW80-DW10/GRA](#) [01807.1102-01](#) [01807.1108-01](#) [32-2111T](#) [32R-2112T](#) [32R-2111](#) [32R-2113T](#) [32R-2311](#) [36EN-2312](#) [75R-2212T](#) [75R-2212](#) [R9-70N-01-220V-RED](#) [R9-92N-02-R](#)
[1.63.521.099/0000](#) [34H-0581](#) [L282000NAC](#) [DNW1-DW07](#) [L282000NAA](#) [1090QCX3-28V](#) [2195QA1-28V](#) [4702A5](#) [135-3272-003F](#) [135-3275-003F](#) [249-7866-1433-514](#) [249-7841-1431-574](#) [249-7841-0931-574](#) [249-7841-0933-544](#) [249-7841-0933-574](#) [249-7841-1435-574](#) [249-7866-0931-514](#) [249-7841-0331-544](#) [249-7841-0935-574](#) [249-7841-0937-574](#) [249-7841-1433-544](#) [249-7841-1436-574](#) [249-7841-1437-574](#)
[249-7866-0331-514](#)