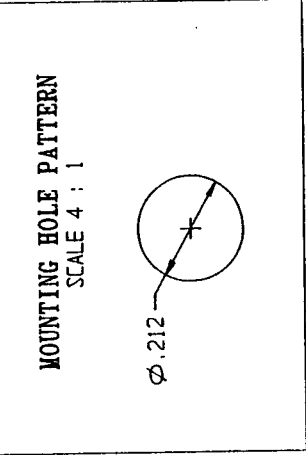
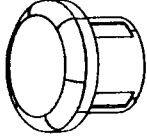


REV	ECR NO./DESCRIPTION	DATE
A	11781 NEW RELEASE	06/16/95
B	12010 PAP SALES DRAWING	08/17/95

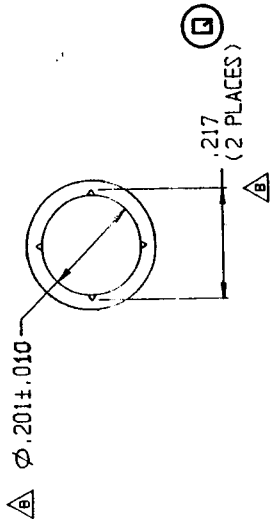
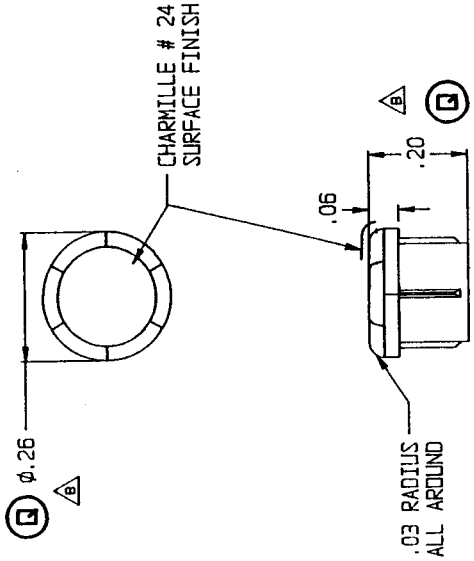


NOTES:

1. LED TYPE TBD.
2. MATERIAL: CLEAR POLYCARBONATE 94-V2.



ISOMETRIC VIEW
FOR REFERENCE ONLY
SCALE 4 : 1



THIS Dwg IS THE PROPERTY OF INDUSTRIAL DEVICES, INC. AND IS PROPRIETARY IN GENERAL AND IN DETAIL. IT SHALL NOT BE COPIED OR ITS CONTENTS REVEALED TO OUTSIDE PARTIES WITHOUT THE WRITTEN CONSENT OF INDUSTRIAL DEVICES, INC.

FOR INSPECTION USE ONLY
SPEC DOCUMENTATION REQ. (X R CHARTS)

OCT 10 2000
DST. S

PART NO.	MODEL NO. 7511A1B	TITLE	LIGHTPIPE FOR UNGERMAN-BASS
MATERIAL	SEE NOTES	INDUSTRIAL DEVICES, INC. HACKENSACK, NEW JERSEY	
FINISH:		DRAWN M. VALZANIA	SCALE: 4 : 1
TOLERANCE UNLESS OTHERWISE SPECIFIED:		CHECKED <i>LLI</i> 8-23-95	REV B
FRACTION	± 1/64	ENG. APPRY <i>AS</i>	B12777
INCHES	± .0010 (0.25)		
MILL	± .0005 (0.13)		
ANGLE	± 1 deg.		

DO NOT SCALE

X-ON Electronics

Largest Supplier of Electrical and Electronic Components

Click to view similar products for [LED Light Pipes](#) category:

Click to view products by [Visual Communications Company](#) manufacturer:

Other Similar products are found below :

[1367627-1](#) [SLP3-300-450-F](#) [SLP3-400-450-R](#) [LPA-C011301S-6](#) [LPF-C011306S](#) [FLP25-1.95](#) [VLP-640-F](#) [LPA-C011301S-5.4](#) [LPA-R051171S-12](#) [LPA-S011331S](#) [515-1027-803F](#) [515-1217F](#) [SLP3-150-300-R](#) [SLP3-500-450-R](#) [515-1064-810F](#) [FLPV-SG](#) [BDL-1187](#) [7511A41](#) [7511A87-500](#) [FLPV-SBC](#) [5151064802F](#) [5151-192-0055-0DF](#) [LPF-R011340S](#) [515-1166-801F](#) [FLPF-6.0](#) [PM4-C1522-3.70](#) [LC-11.25](#) [CLP-1214](#) [515-1064-808F](#) [FLX3_05](#) [515-1192-0025-0DF](#) [HS LC-H-D2/ R2XC1-2 54](#) [515-1192-80-3DF](#) [1282.2600](#) [1296.2004](#) [PBLP-1001-1](#) [SZ1-10.00-A220-F4P54](#) [LC2-4.1](#) [1296.7042](#) [SF4-2.5-F5P](#) [PLP5-2-625-54](#) [FLP25-13.5](#) [1271.2002](#) [1272.0030](#) [1276.2004](#) [1281.1001-8MM](#) [1282.1300](#) [1296.1034](#) [1296.2022](#) [1296.2054](#)