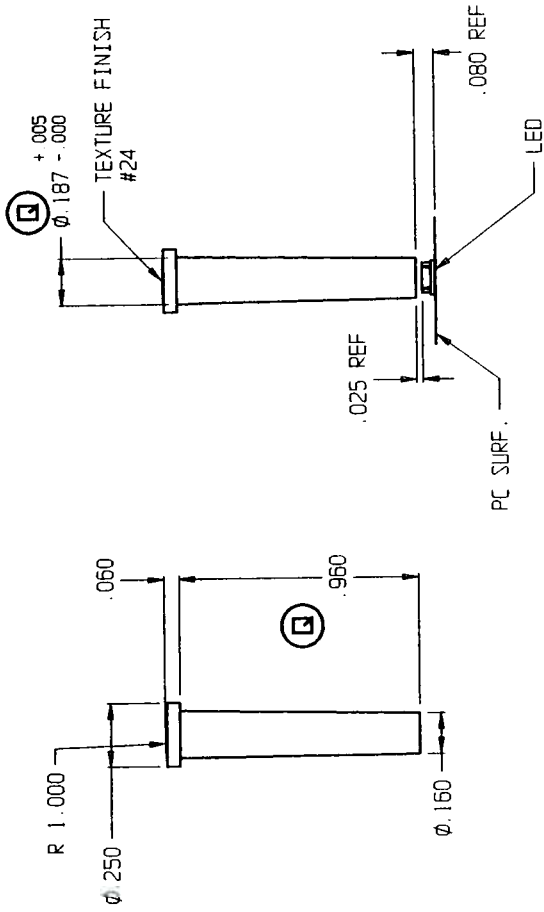


| REV | ECR NO./DESCRIPTION | DATE |
|-----|--|---------|
| A | 14214 NEW RELEASE | 1/14/97 |
| B | 14265 HM DMT DET. X. .960 WAS .930 | 2/4/97 |
| C | 14302 HM CHANGED TO SALES DWG | 2/12/97 |



- NOTES:
1. LIGHTPIPE TO BE MOLDED IN A CLEAR 94-V0 POLYCARBONATE.
 2. COMPONENT TO BE FREE OF IMPERFECTIONS WHICH WOULD INTERFERE WITH THE DESIGNED LIGHT OUTPUT.
 3. LED SHOWN FOR REFERENCE

FOR INSPECTION USE ONLY
 SPC DOCUMENTATION REQ. (X R CHARTS)

PART NO. -
 CODE NO. 7511A44
 MOLD NO.
 MATERIAL: SEE NOTE
 FINISH: NOTED
 TOLERANCE (UNLESS OTHERWISE SPECIFIED): DRAWN S WJ CHECKED NS 2-13-97
 INCHES: *** 1/16 END APPR: *[Signature]*
 ANGLE: ± 1.000

TITLE: VERTICAL LIGHTPIPE
 INDUSTRIAL DEVICES INC. IDI
 A CHOCORU MINIATURE COMPANY
 285 RAILROAD AVE. HAZENSBACK, NJ 07601
 SCALE: 2 : 1
 SHEET: B13463 C

THIS DWG IS THE PROPERTY OF INDUSTRIAL DEVICES, INC. AND IS PROPRIETARY IN GENERAL AND IN DETAIL. IT SHALL NOT BE COPIED OR ITS CONTENTS REVEALED TO OUTSIDE PARTIES WITHOUT THE WRITTEN CONSENT OF INDUSTRIAL DEVICES, INC.

DO NOT SCALE

X-ON Electronics

Largest Supplier of Electrical and Electronic Components

Click to view similar products for [LED Light Pipes](#) category:

Click to view products by [Visual Communications Company](#) manufacturer:

Other Similar products are found below :

[1367627-1](#) [SLP3-300-450-F](#) [SLP3-400-450-R](#) [LPA-C011301S-6](#) [LPF-C011306S](#) [FLP25-1.95](#) [VLP-640-F](#) [LPA-C011301S-5.4](#) [LPA-C041301S-2](#) [LPA-R051171S-12](#) [LPA-S011331S](#) [515-1027-803F](#) [515-1217F](#) [SLP3-150-300-R](#) [SLP3-500-450-R](#) [515-1064-810F](#) [FLPV-SG](#) [BDL-1187](#) [7511A41](#) [7511A87-500](#) [FLPV-SBC](#) [5151064802F](#) [5151-192-0055-0DF](#) [LPF-R011340S](#) [515-1166-801F](#) [FLPF-6.0](#) [PM4-C1522-3.70](#) [LC-11.25](#) [CLP-1214](#) [515-1064-808F](#) [FLX3_05](#) [515-1192-0025-0DF](#) [HS LC-H-D2/R2XC1-2 54](#) [515-1192-80-3DF](#) [1282.2600](#) [1296.2004](#) [PBLP-1001-1](#) [SZ1-10.00-A220-F4P54](#) [SZ1-10.00-A220-F4P](#) [LC2-4.1](#) [1296.7042](#) [1271.2002](#) [1272.0030](#) [1276.2004](#) [1281.1001-8MM](#) [1282.1300](#) [1296.1034](#) [1296.2022](#) [1296.2054](#) [1296.3004](#)