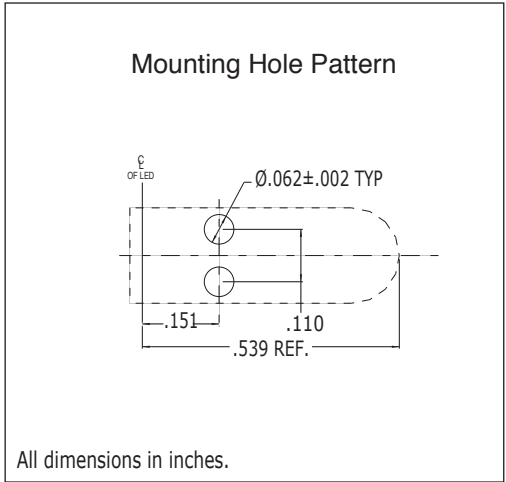
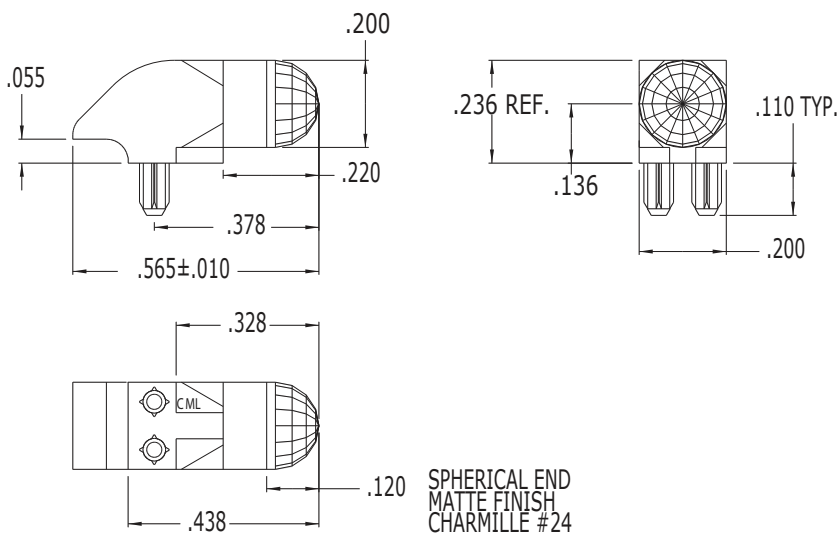




7511G Series Light Pipe 0.565" Length Polycarbonate UL94 V-0

7511 Series Bright Pipes™ Optical Lightpipes

Descriptions and Features



All dimensions in inches.

All dimensions in inches.

- Precision engineered with ray tracing for bright, optically precise even indication and attractive appearance.
- ESD protection from circuitry for exceptional reliability.
- High contrast and wide viewing angle for greater visibility.
- Available in a variety of colors for added contrast and aesthetics.
- Parts inserted after reflow to permit LED pad inspection before assembly.
- Compliance to UL94 V-0.
- Low profile for height constrained applications.
- Large lens provides high visibility.
- 7511G Series designed for use with 7012X SMT LED.

Color	Part Number
Red	7511G1
Clear Transparent	7511G2C
Green	7511G5
Yellow	7511G7

Compliance and Approvals



X-ON Electronics

Largest Supplier of Electrical and Electronic Components

Click to view similar products for [Panel Mount Indicator Lamps](#) category:

Click to view products by [Visual Communications Company](#) manufacturer:

Other Similar products are found below :

[DNW1-DW33](#) [DNW21-DW10/BLA](#) [MS18237-1RN](#) [2195QA3-28V](#) [252-9951-0937-801](#) [252-9951-0973-811](#) [2990P6-28V](#) [CNW1-6838](#)
[DNW1-DW4812.5MMBLA BASE](#) [32-2317](#) [1090N5-12V](#) [DNW80-DW10/GRA](#) [01807.1102-01](#) [01807.1108-01](#) [32-2111T](#) [32-2113](#) [32R-](#)
[2112T](#) [36EN-2313](#) [32R-2111](#) [32R-2113T](#) [32R-2311](#) [36EN-2312](#) [75R-2213](#) [75R-2212T](#) [75R-2211](#) [249-7866-1431-514](#) [75R-2212](#) [R9-70N-](#)
[01-220V-RED](#) [R9-92N-02-R](#) [31-2111T](#) [R9-40N4-05-G](#) [2151QA3](#) [31G18-2113T](#) [2195A5-12V](#) [2194A3-12V](#) [2195QA4-28V](#) [6010QM1](#)
[31G18-2112T](#) [1.02.157.115/1400](#) [31H-2002T](#) [32R-2213](#) [1.63.521.099/0000](#) [34H-0581](#) [L282000NAC](#) [DNW1-DW07](#) [L282000NAA](#)
[L295000NAA](#) [L295000NAC](#) [L295000NAE](#) [C282000NAA](#)