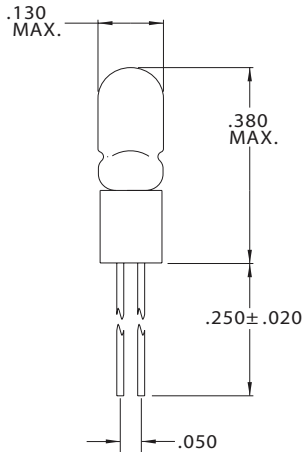
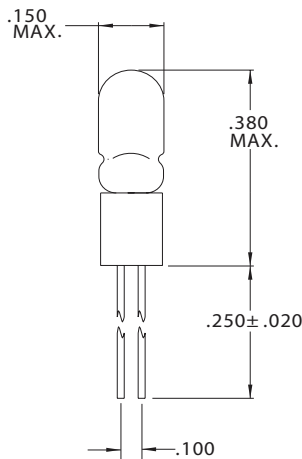


T-1 Bi-Pin Base (.050")



| Part Number | Design Voltage | Amps | MSCP | Life Hours | Filament Type |
|-------------|----------------|------|------|------------|---------------|
| CM7272 | 5.0 | .075 | .090 | 16,000 | C-2R |
| CM7274 | 5.0 | .115 | .150 | 16,000 | C-2R |
| CM7680 | 5.0 | .060 | .030 | 60,000 | C-2R |
| CM7683 | 5.0 | .060 | .050 | 25,000 | C-2R |
| CM7714 | 5.0 | .075 | .090 | 25,000 | C-2R |
| CM7715 | 5.0 | .115 | .150 | 40,000 | C-2R |
| CM9343 | 5.0 | .060 | .050 | 25,000 | C-2R |
| CM9344 | 5.0 | .115 | .150 | 40,000 | C-2R |
| CM9347 | 5.0 | .075 | .090 | 25,000 | C-2R |
| CM8095 | 10.0 | .027 | .100 | 10,000 | C-2F |
| CM8097 | 12.0 | .060 | .150 | 10,000 | C-2F |
| CM8098 | 14.0 | .065 | .150 | 10,000 | C-2F |
| CM9388 | 14.0 | .040 | .150 | 16,000 | C-2F |
| CM8099 | 18.0 | .026 | .150 | 10,000 | C-2F |
| CM7839 | 28.0 | .024 | .150 | 4,000 | CC-2F |
| CM9393 | 28.0 | .024 | .150 | 4,000 | C-2F |

T-1 Bi-Pin Base (.100")



| Part Number | Design Voltage | Amps | MSCP | Life Hours | Filament Type |
|-------------|----------------|------|------|------------|---------------|
| CM8-2409 | 1.5 | .075 | .030 | 16,000 | C-2R |
| CM8-2411 | 3.0 | .008 | .001 | 16,000 | C-2R |
| CM8-2420 | 3.0 | .013 | .001 | 16,000 | C-2R |
| CM8-2400 | 5.0 | .115 | .150 | 40,000 | C-2R |
| CM8-2401 | 5.0 | .060 | .150 | 5,000 | C-2R |
| CM8-2405 | 5.0 | .020 | .030 | 10,000 | C-2R |
| CM8-2408 | 5.0 | .030 | .030 | 16,000 | C-2R |
| CM8-2410 | 5.0 | .017 | .005 | 10,000 | C-2R |
| CM8-2412 | 5.0 | .060 | .030 | 60,000 | C-2R |
| CM8-2413 | 5.0 | .060 | .050 | 25,000 | C-2R |
| CM8-2414 | 5.0 | .075 | .090 | 25,000 | C-2R |
| CM8-2415 | 5.0 | .125 | .250 | 5,000 | C-2R |
| CM8-2416 | 10.0 | .027 | .100 | 10,000 | C-2F |
| CM8-2417 | 12.0 | .060 | .150 | 10,000 | C-2F |
| CM8-2418 | 14.0 | .065 | .150 | 10,000 | C-2F |
| CM8-2419 | 18.0 | .026 | .150 | 10,000 | C-2F |
| CM8-2402 | 28.0 | .024 | .150 | 4,000 | CC-2F |

X-ON Electronics

Largest Supplier of Electrical and Electronic Components

Click to view similar products for [Lamps](#) category:

Click to view products by [Visual Communications Company](#) manufacturer:

Other Similar products are found below :

[5AB](#) [6180](#) [8111](#) [8623](#) [912](#) [120PS](#) [1224](#) [DE603](#) [DW50](#) [IFL-LX2162-16T](#) [C9A](#) [C9A](#) [3015](#) [303](#) [19](#) [PR13](#) [268](#) [GT-NE6H1225T](#)
[CM5004WW](#) [32-2211T](#) [323](#) [509K](#) [5314N1](#) [5314N2](#) [WWT1-EW10/GRN](#) [4925H1](#) [DW07](#) [10C7DC-120V](#) [1141](#) [MS25231-313](#) [E73](#) [CM2](#)
[7683EBP](#) [8553](#) [XE135B](#) [WWT2-EW34BLA](#) [6S6/30V](#) [7367](#) [1301910036](#) [7A1H](#) [8630FBBB](#) [85](#) [106](#) [105](#) [BGF717-UV1](#) [1974D](#) [1495](#) [373](#)
[400](#) [502](#)