

930 Series Miniature Bayonet Lampholders

Overview

The 930 Series relampable miniature bayonet lampholders accommodate T-3 1/4 and T-2 incandescent lamps and T-3 1/4 neon lamps. This robust lampholder assembly may be ordered with many decorative lens styles, plating options and unique termination and mounting features.

Approvals

UL Listed. For MIL Spec Lampholders, contact the factory

Specification

Housing: Brass. Black nickel, bright nickel, polished chrome, or satin chrome finishes.

Body: High dielectric phenolic.

Lockwasher: Phosphor bronze. Nickel-plated.

Hex Nut: Brass. Nickel-plated.

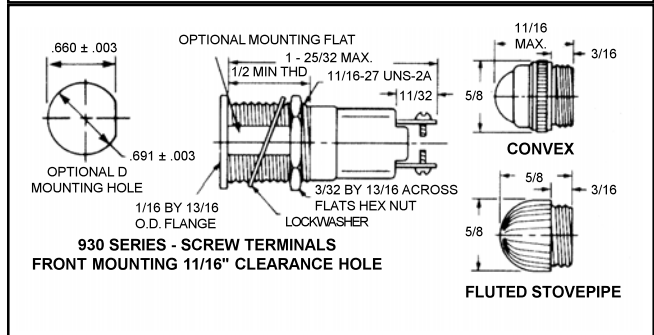
Terminals: Solder Lug: Brass, tin-plated. Screw Type: 4-40 brass, nickel-plated binding head screws.

Wire Leads: 6" leads, #22 AWG, black & white, stranded copper, PVC insulated, UL/CSA rated 105°C, stripped 1/2". Custom wire options are also available.

Lens: Heat resistant, high strength polycarbonate.

Retainer: Brass. Black nickel, bright nickel, polished chrome or satin chrome finishes available.

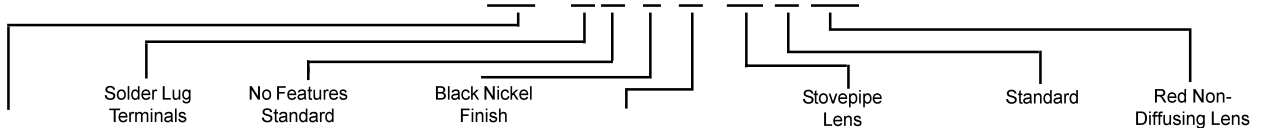
930 Series Maximum Rating: 3 Watts, 250 Volts.



ORDERING INFORMATION:

Lampholders and lens caps may be ordered separately or as complete assemblies as shown in the example below:

EXAMPLE: 9 3 0 4 0 4 X 71 0 RN



Series Number	Lampholders				Lens Cap Assembly		
	Termination	Features	Finish	Resistor	Lens Style	Retainer	Lens Color
930	4 Solder Lug	0 None Standard	4 Black Nickel	X None (No resistor required with incandescent lamps)	72 Flat ³	4 Black Nickel	Nondiffusing
					82 Flat ⁴		AN Amber
5 Screw Type	2 ¹ Drip Proof	7 Polished Chrome	R 27K OHM	86 Flat Drip Proof ³	5 Bright Nickel	BN Blue ⁶	
				87 Flat Drip Proof ⁴		CN Colorless	
W Wire Leads	3 ¹ D Hole Mounting & Drip Proof			88 Convex ³	7 Polished Chrome	GN Green ⁶	
				89 Convex Drip Proof ³		RN Red	
					Translucent⁶		
					AT Amber		
					BT Blue		
					GT Green		
					RT Red		
					WT White		
					YN Yellow		
					Diffusing⁶		
					AD Amber		
					BD Blue		
					CD Colorless		
					GD Green		
					RD Red		
					YD Yellow		
					No Retainer Required		
					71 Stovepipe ³	0 Standard	
					73 Cylindrical ³		
					74 Fluted Stovepipe ⁵		
					75 Semi-Fluted Stovepipe ⁵		8 Dripproof

¹ These styles supplied with rubber washers for body and lens.
² For proper resistor/neon lamp compatibility, table on back page.
³ Nondiffusing & translucent colors only.
⁴ Diffusing Colors only.
⁵ Nondiffusing colors only.
⁶ Not recommended for neon lamps.

X-ON Electronics

Largest Supplier of Electrical and Electronic Components

Click to view similar products for [Complete Assemblies for Panel Mount Indicator Lamps](#) *category:*

Click to view products by [Visual Communications Company](#) *manufacturer:*

Other Similar products are found below :

[270-1930-0272-702](#) [367-8430-0933-503](#) [367-8430-0931-503](#) [367-8430-0973-503](#) [450-01RB](#) [803-1710-0333-805](#) [39-1752-24](#) [50-2101CR](#)
[50-682SM](#) [367-8430-0932-503](#) [39-5644-05](#) [803-1710-0333-504](#) [19-3206-05-303](#) [50-2100LN](#) [LC12CN2](#) [50-2100MR](#) [13788360937552](#)
[27019300111702](#) [27018300111702](#) [27019303111702](#) [80417100333504](#) [047-0901-2900-201](#) [051-3502-0137-203](#) [270-1830-0272-702](#) [270-](#)
[1930-0171-702](#) [270-1930-0212-702](#) [271-8430-0171-702](#) [271-8430-0212-702](#) [271-8430-0272-702](#) [368-8430-0111-203](#) [800-1030-0334-504](#)
[804-1710-0337-504](#) [LC11GT2](#) [LC12YN2](#) [LC13YN2](#) [LC17RN3](#) [LC33YN2](#) [LC37CD2](#) [MS25010B12A](#) [MS25041-4](#) [MS25041-6](#) [38-3542-12](#)
[38-3552-12BU](#) [39-1755-24BU](#) [39-3545-06](#) [39-3563-06](#) [39-4632-05](#) [39-4642-05](#) [39-4644-12](#) [39-4645-12](#)