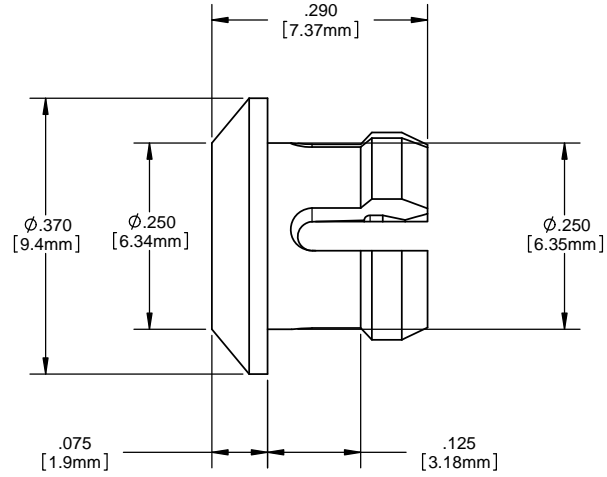
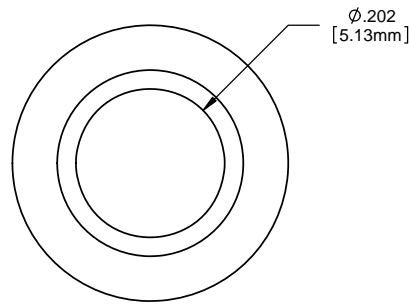
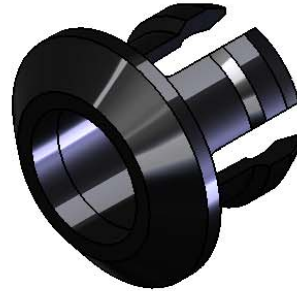


- NOTES:**
1. MOUNTING: MOUNTS IN A $\phi .250 \pm .002$ [$\phi 6.35\text{mm} \pm .05$] PANEL HOLE ON $.375$ [9.5mm] CENTERS
 2. PANEL THICKNESS: $.031$ [3.18mm] TO $.125$ [3.18mm]
 3. PANEL HOLE SHALL BE DEBURRED, BUT NOT CHAMFERED
 4. ASSEMBLY: INSERT CLIP MOUNT THROUGH PANEL HOLE. INSERT LED THROUGH CLIPMOUNT. SLIDE SPACER OVER CLIPMOUNT.
 5. U.S. AND FOREIGN PATENT ISSUED

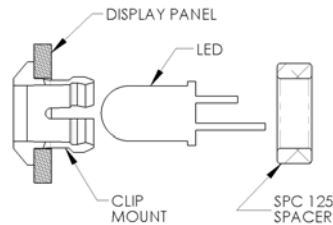
SPACER
(ORDER SEPERATELY)



SPC 125



ORDERING CODE : **CLP 127 BLK**



ASSEMBLY

REVISIONS				
ECN#	REV.	DESCRIPTION	DATE	INITIALS
	1	CHG PART NO. AND DWG NO.	3-1-90	JS
	001	REVISED PER ECR111009AZ01	6-20-10	SMU
308	002	REVISED PER ECR 050311ED02	5-26-11	KH

<small>DIMENSION STYLE: INCHES (MM) GENERAL TOLERANCES UNLESS OTHERWISE SPECIFIED</small>		<small>APPROVAL</small> DRAWN: SMU CHECKED: DPZ		<small>DATE</small> 6-20-10 6-20-10			
<small>INCHES</small> X $\pm .020$ XX $\pm .010$ XXX $\pm .005$		<small>MM</small> $\pm .508$ $\pm .254$ $\pm .127$		<small>MATERIAL</small> POLYCARBONATE, BLACK UL 94-V2		<small>TITLE:</small> CLIPLITE® CLP 127 MOUNT	
<small>THIRD ANGLE PROJECTION</small> 		<small>FINISH</small> SEE NOTES		<small>SIZE</small> B		<small>DWG. NO.</small> CLP 127 BLK	
<small>PROPRIETARY AND CONFIDENTIAL</small> <small>THE INFORMATION CONTAINED IN THIS DRAWING IS THE SOLE PROPERTY OF VISUAL COMMUNICATIONS COMPANY, INC. ANY REPRODUCTION IN PART OR AS A WHOLE WITHOUT THE WRITTEN PERMISSION OF VISUAL COMMUNICATIONS COMPANY, INC IS PROHIBITED.</small>		<small>DO NOT SCALE DRAWING</small>		<small>SCALE: 6:1</small>		<small>REV</small> 002 <small>SHEET 1 OF 1</small>	

190 BOSSTICK BLVD. SUITE 101 SAN MARCOS, CA 92069 U.S.A.
 PHONE: (760) 560-1300, FAX: (760) 560-1301 EMAIL: vccsales@vccite.com

X-ON Electronics

Largest Supplier of Electrical and Electronic Components

Click to view similar products for [LED Mounting Hardware](#) category:

Click to view products by [Visual Communications Company](#) manufacturer:

Other Similar products are found below :

[00624250](#) [00624750](#) [M2200](#) [7047](#) [990-4901-010](#) [990-8115-001](#) [CMP22](#) [M16-T1](#) [C-101](#) [L2K-L4GD](#) [L2K-L5XL](#) [LDN51-125SL/BT](#)
[00624500](#) [7046](#) [7056](#) [SN3486](#) [26-0053](#) [TC4-R-](#) [SLQ16](#) [LM6-2](#) [LM12-1](#) [LM10-1](#) [CM00624375](#) [CM00624900](#) [RNG132](#) [FIX-LEDH-10.5](#)
[FIX-LEDH-11](#) [FIX-LEDH-11.5](#) [FIX-LEDH-12](#) [FIX-LEDH-14](#) [FIX-LEDH-17](#) [FIX-LEDH-18](#) [FIX-LEDH-4](#) [FIX-LEDH-4.5](#) [FIX-LEDH-7.5](#)
[FIX-LEDH-9.5](#) [FIX-LEDS-1.5](#) [FIX-LEDS-2](#) [FIX-LEDS-3.5](#) [FIX-LEDT-11](#) [FIX-LEDT-20](#) [FIX-LEDT-26](#) [FIX-LEDT-5](#) [FIX-LEDT-9](#)
[SQLEDS2-4-26](#) [7382](#) [CNXDX4624](#) [CNXDX4608](#) [CNXDF4608](#) [4740](#)