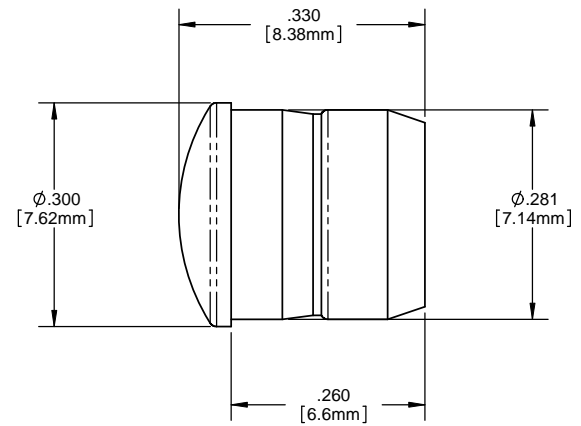
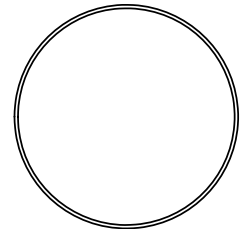
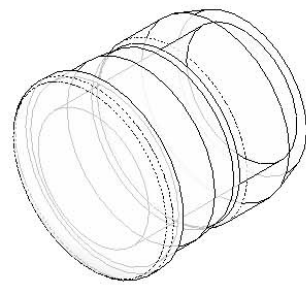
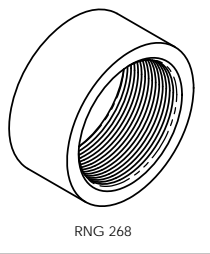


8 7 6 5 4 3 2 1

- NOTES:**
- MOUNTING:** Mounts in a $\phi .281 \pm .002$ [$\phi 7.13\text{mm} \pm .05$] panel hole on $.375$ [9.5mm] centers. Panel thickness $.031$ [0.8mm] to $.250$ [6.35mm]. Panel hole should be deburred, but not chamfered.
 - ASSEMBLY:** Insert lens through panel hole, slide RNG 268 retainer on back of lens. PCB mounted LEDs slide into lens when the panel cover is closed or the PCB card is inserted into the case.
 - MATERIAL:** Polycarbonate, UL 94-V2
 - U.S. & Foreign Pat. Issued & Pend.**

REVISIONS				
ECN#	REV.	DESCRIPTION	DATE	INITIALS
	001	REVISED PER ECR111009AZ01	4-23-10	SMU

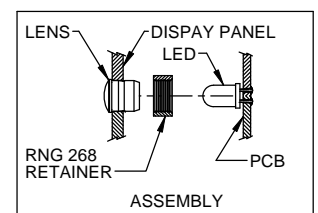
**RETAINER
(ORDER SEPARATELY)**



ORDERING CODE : **CMC 313 XXX**

MODEL

LENS COLOR	
RTP	RED TRANSPARENT
ATP	AMBER TRANSPARENT
GTP	GREEN TRANSPARENT
BTP	BLUE TRANSPARENT
YTP	YELLOW TRANSPARENT
CTP	CLEAR TRANSPARENT



<small>UNLESS OTHERWISE SPECIFIED DIMENSIONS ARE IN INCHES</small> <small>ANGLES DECIMALS ±1</small> <small>FINISH .X ±.020</small> <small>.XX ±.010</small> <small>XXX ±.005</small>	MATERIAL POLYCARBONATE, UL 94-V2	VISUAL COMMUNICATIONS COMPANY, INC. 190 Bosstick Boulevard, Suite 101 San Marcos, CA 92069 USA Phone (760) 560-1300 Fax (760) 560-1301 email vccsales@vccite.com	
	FINISH SEE NOTES	TITLE: 5MM ROUND PLAIN DIFFUSED LENS	
<small>THIRD ANGLE PROJECTION</small> 	<small>APPROVAL</small> SMU	<small>DATE</small> 4-23-10	<small>SIZE</small> B
<small>PROPRIETARY AND CONFIDENTIAL</small> <small>THE INFORMATION CONTAINED IN THIS DRAWING IS THE SOLE PROPERTY OF VISUAL COMMUNICATIONS COMPANY, INC. AND IS TO BE USED FOR THE MANUFACTURE OF THE PRODUCT SPECIFIED THEREIN. ANY REPRODUCTION IN PART OR AS A WHOLE WITHOUT THE WRITTEN CONSENT OF VISUAL COMMUNICATIONS COMPANY, INC. IS PROHIBITED.</small>	<small>DRAWN:</small> DZ	<small>DATE</small> 4-23-10	<small>REV</small> 001
DO NOT SCALE DRAWING		SCALE: 1:1	SHEET 1 OF 1

8 7 6 5 4 3 2 1

X-ON Electronics

Largest Supplier of Electrical and Electronic Components

Click to view similar products for [LED Lenses](#) category:

Click to view products by [Visual Communications Company](#) manufacturer:

Other Similar products are found below :

[139A-403R](#) [2857](#) [SSN-LX13049L-CD](#) [SSN-LX18754A](#) [SSN-LX18754C](#) [2817](#) [3122](#) [39-30-W03](#) [4623](#) [4752](#) [3121](#) [3124](#) [3125](#) [4327](#) [4371](#)
[4743](#) [4747](#) [4757](#) [3113](#) [4317](#) [4342](#) [4347](#) [4343](#) [4345](#) [4346](#) [CMC321YTP](#) [4742](#) [CMS444CTP](#) [13788360933552](#) [4745](#) [SML190RTP](#) [177-](#)
[0931-003](#) [177-0933-003](#) [8652](#) [8658](#) [8662](#) [8665](#) [TL50LA1T](#) [SGLC-250-D YW](#) [SGLC-250-D BE](#) [SGLC-250-D GN](#) [SGLC-250-D RD](#)
[SGLC-3MM-F YW](#) [SGLC-3MM-F RD](#) [SGLC-3MM-F BE](#) [SGLC-3MM-F](#) [SGLC-3MM-F GN](#) [4344](#) [080-0535-303](#) [080-0512-203](#)