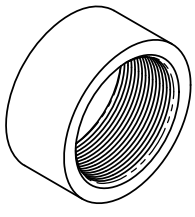


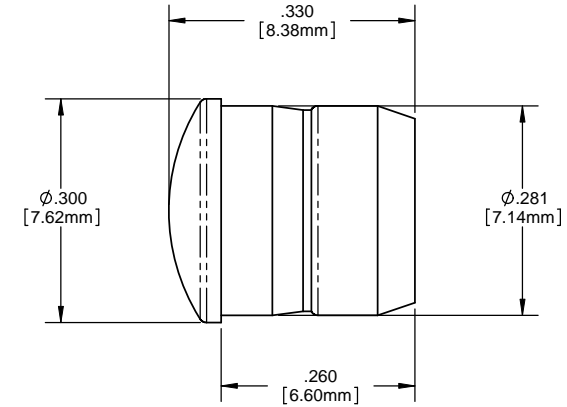
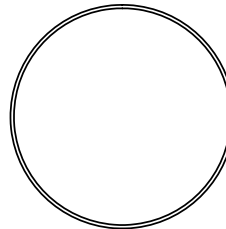
- NOTES:
1. MOUNTING: Mounts in a $\phi .281 \pm .002$ [$\phi 7.13\text{mm} \pm .05$] panel hole on $.375$ [9.5mm] centers. Panel thickness $.031$ [0.8mm] to $.250$ [6.35mm]. Panel hole should be deburred, but not chamfered.
 2. ASSEMBLY: Insert lens through panel hole, slide RNG 268 retainer on back of lens. PCB mounted LEDs slide into lens when the panel cover is closed or the PCB card is inserted into the case.
 3. MATERIAL: Polycarbonate, UL 94-V2
 4. U.S. & Foreign Pat. Issued & Pend.

| REVISIONS | | | | |
|-----------|------|---------------------------|---------|----------|
| ECN# | REV. | DESCRIPTION | DATE | INITIALS |
| | 001 | REVISED PER ECR111009AZ01 | 4-23-10 | SMU |

RETAINER
(ORDER SEPARATELY)



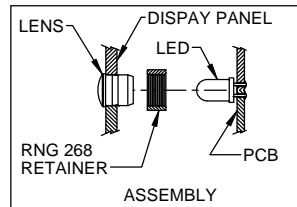
RNG 268



ORDERING CODE : **CMC 321 XXX**

MODEL

| LENS COLOR | |
|------------|--------------------|
| RTP | RED TRANSPARENT |
| ATP | AMBER TRANSPARENT |
| GTP | GREEN TRANSPARENT |
| BTP | BLUE TRANSPARENT |
| YTP | YELLOW TRANSPARENT |
| CTP | CLEAR TRANSPARENT |



| | | |
|--|---|---|
| <small>UNLESS OTHERWISE SPECIFIED DIMENSIONS ARE IN INCHES</small> ANGLES DECIMALS \pm .X \pm .020 .XXX \pm .010 .XXX \pm .005 FINISH BREAK ALL CORNERS AND SHARP EDGES (S1/16) | MATERIAL POLYCARBONATE, UL 94-V2 | VISUAL COMMUNICATIONS COMPANY, INC. 190 Bosstick Boulevard, Suite 101 San Marcos, CA 92069 USA Phone (760) 560-1300 Fax (760) 560-1301 email vccsales@vccite.com |
| | FINISH SEE NOTES | TITLE: 5MM ROUND FRESNEL LOW PROFILE LENS |
| THIRD ANGLE PROJECTION | APPROVAL DRAWN: SMU 4-23-10 CHECKED: DZ 4-23-10 DO NOT SCALE DRAWING | SIZE DWG. NO. B CMC 321 XXX |
| <small>PROPRIETARY AND CONFIDENTIAL</small> <small>THE INFORMATION CONTAINED IN THIS DRAWING IS THE SOLE PROPERTY OF VISUAL COMMUNICATIONS COMPANY, INC. AND IS TO BE USED FOR THE MANUFACTURE OF THE PRODUCT SPECIFIED THEREIN. REPRODUCTION IN PART OR AS A WHOLE WITHOUT THE WRITTEN CONSENT OF VISUAL COMMUNICATIONS COMPANY, INC. IS PROHIBITED.</small> | DATE 4-23-10 | REV 001 SCALE: 1:1 SHEET 1 OF 1 |

X-ON Electronics

Largest Supplier of Electrical and Electronic Components

Click to view similar products for [LED Lenses](#) category:

Click to view products by [Visual Communications Company](#) manufacturer:

Other Similar products are found below :

[139A-403R](#) [2857](#) [SSN-LX13049L-CD](#) [SSN-LX18754A](#) [SSN-LX18754C](#) [2817](#) [3122](#) [39-30-W03](#) [4623](#) [4752](#) [3121](#) [3124](#) [3125](#) [4327](#) [4371](#)
[4743](#) [4747](#) [4757](#) [3113](#) [4317](#) [4342](#) [4347](#) [4343](#) [4345](#) [4346](#) [CMC321YTP](#) [4742](#) [CMS444CTP](#) [13788360933552](#) [4745](#) [SML190RTP](#) [177-](#)
[0931-003](#) [177-0933-003](#) [8652](#) [8658](#) [8662](#) [8665](#) [TL50LA1T](#) [SGLC-250-D YW](#) [SGLC-250-D BE](#) [SGLC-250-D GN](#) [SGLC-250-D RD](#)
[SGLC-3MM-F YW](#) [SGLC-3MM-F RD](#) [SGLC-3MM-F BE](#) [SGLC-3MM-F](#) [SGLC-3MM-F GN](#) [4344](#) [080-0535-303](#) [080-0512-203](#)