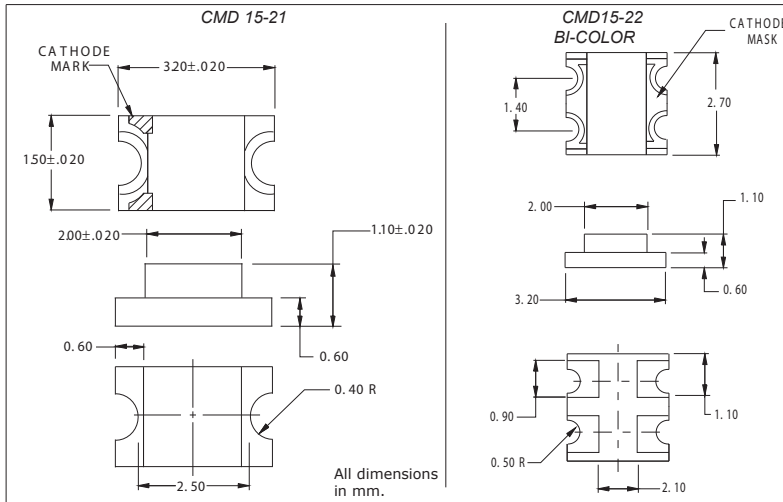


CMD15-21 & 22 Series SMT LEDs 1206 Package Size

Description and Features



Surface Mount Technology

- Tape and reel packaged for high-speed autoinsertion.
- Convection and vapor-phase reflow compatible.
- Compact form enables high density placement.
- Packaged 2000 pieces per reel.
- RoHS Compliant.

Leading Edge LED Optoelectronic Performance

- Consistent high brightness.
- Integral lensing for narrow angle light dispersion.

Exceptional Reliability

- Stringent process controls assure quality.
- Extensive qualification testing to meet strictest requirements.
- Designed to permit easy post-reflow solder joint inspection.

- Refer to “Solder Pad Geometry 3.pdf”

Electro-Optical Characteristics

| Part Number | Emitted Color | Lens Color | Luminous Intensity | | Forward Voltage | | Test Current (mA) | Peak Wavelength (nm) |
|-----------------|---------------|-----------------|--------------------|------------|-----------------|----------|-------------------|----------------------|
| | | | Min. (mcd) | Typ. (mcd) | Typ. (V) | Max. (V) | | |
| CMD15-21SRC/TR8 | Super Red | Clear | 6.0 | 15.0 | 1.7 | 2.4 | 20 | 660 |
| CMD15-21VRC/TR8 | H.E. Red | Clear | 3.6 | 6.0 | 2.0 | 2.8 | 20 | 640 |
| CMD15-21VYC/TR8 | Yellow | Clear | 3.6 | 6.0 | 2.0 | 2.8 | 20 | 585 |
| CMD15-21VGC/TR8 | Green | Clear | 6.0 | 10.0 | 2.1 | 2.8 | 20 | 570 |
| CMD15-21UBC/TR8 | Blue | Clear | 19.0 | 45.0 | 4.9 | 5.5 | 20 | 430 |
| CMD15-21UGC/TR8 | Green | Clear | 7.0 | 12.0 | 2.1 | 2.8 | 20 | 565 |
| CMD15-21VRD/TR8 | H.E. Red | Red Diffused | 2.4 | 4.0 | 2.0 | 2.8 | 20 | 640 |
| CMD15-21VGD/TR8 | Clear | Green Diffused | 5.5 | 6.5 | 2.1 | 2.8 | 20 | 570 |
| CMD15-21VYD/TR8 | Clear | Yellow Diffused | 3.7 | 4.0 | 2.0 | 2.8 | 20 | 585 |
| CMD1522VRVGCTR8 | H.E. Red | Clear | 3.6 | 20.0 | 2.8 | 2.8 | 20 | 640 |
| | Green | Clear | 6.0 | 10.0 | 2.1 | 2.8 | 20 | 570 |
| CMD1522SRUGCTR8 | Red | Clear | 9.0 | 15.0 | 1.7 | 2.4 | 20 | 660 |
| | Green | Clear | 7.0 | 12.0 | 2.1 | 2.8 | 20 | 565 |

Absolute Maximum Ratings

| | Green | H.E.Red | Yellow | Red | Units |
|--|------------|------------|------------|------------|---------|
| Power Dissipation..... | 105 | 105 | 105 | 100 | mW |
| Storage/Operating Temperature..... | -40 to +85 | -40 to +85 | -40 to +85 | -40 to +85 | °C |
| Peak Forward Current (1µs @ 10% duty cycle)..... | 150 | 150 | 150 | 150 | mA |
| Reverse Voltage (IR=100µA)..... | 5.0 | 5.0 | 5.0 | 5.0 | V |
| Lead Solder Time @ 260°C..... | 5 | 5 | 5 | 5 | Seconds |
| Average Forward Current..... | 25 | 30 | 30 | 30 | mA |

X-ON Electronics

Largest Supplier of Electrical and Electronic Components

Click to view similar products for [Standard LEDs - SMD category](#):

Click to view products by [Visual Communications Company manufacturer](#):

Other Similar products are found below :

[LTST-C19GD2WT](#) [LTST-N683GBEW](#) [LTW-170ZDC](#) [LTW-M140SZS40](#) [598-8110-100F](#) [598-8170-100F](#) [598-8610-202F](#) [67-22VRVGC/TR8](#) [AAAF5060QBFSEEZGS](#) [HLMP-6305-L0011](#) [ALMD-LB36-SV002](#) [APT1608QGW](#) [15-21UYC/S530-A3/TR8](#) [EASV1803BA0](#) [LS A676-P2S1-1](#) [SML310BATT86](#) [SML-512VWT86A](#) [SML-LX0606SISUGC/A](#) [SML-LXL1307SRC-TR](#) [SML-LXR851SIUPGUBC](#) [LT1ED53A](#) [FAT801-S](#) [AM27ZGC03](#) [APB3025SGNC](#) [APFA3010SURKCGKQBDC](#) [APHK1608VGCA](#) [APT2012QGW](#) [CLX6D-FKB-CN1R1H1BB7D3D3](#) [LTST-C250KGKT](#) [LTW-020ZDCG](#) [LTW-21TS5](#) [LTW-220DS5](#) [JANTXM19500/521-02](#) [UYGT801-S](#) [LO T67F-V1AB-24-1](#) [YGFR411-H](#) [SML-LX0402IC-TR](#) [CMDA20AYAA7D1S](#) [CMDA16AYDR7A1X](#) [339-1SURYGW/S530-A2](#) [598-8040-100F](#) [598-8070-100F](#) [598-8140-100F](#) [598-8610-200F](#) [EAPL3527GA5](#) [67-11/BHC-M1N2B8Y/2A0](#) [SML-LXL1209SYC/ATR](#) [EASV3020YGA0](#) [EAST16086YA5](#) [CMD91-21VRC/TR7](#)