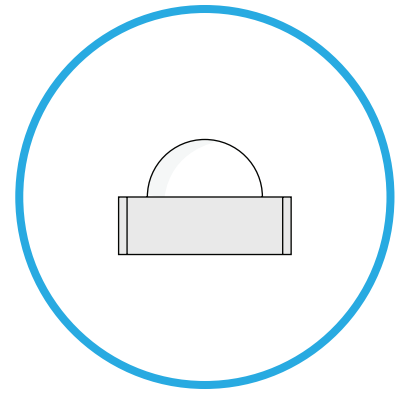


CMDA16AYDR7A1X

Green/Red Bi-Color

Surface Mount LED 2.1/1.7V 20mA



Product Specifications

CMDA16AYOR7AIX	CMDA16AYOR7AIX	Electro-Optical Characteristics and Ratings		Units
----------------	----------------	---	--	-------

Super Green	Super Green	Super Green	Super Green	Output Color	
N	N	N	N	Diffusion	
Clear	Clear	Clear	Clear	Package Color	
20	20	20	20	Test Current	mA
2.1	2.1	2.1	2.1	Forward Voltage Type	V
2.4	2.4	2.4	2.4	Forward Voltage Max	V
9.0	9.0	9.0	9.0	Luminous Intensity Min	mcd
16.0	16.0	16.0	16.0	Luminous Intensity Typ	mcd
-	-	-	-	Luminous Intensity Max	mcd
570	570	570	570	Peak Wavelength	nm
120	120	120	120	Viewing Angle 20 1/2	degrees

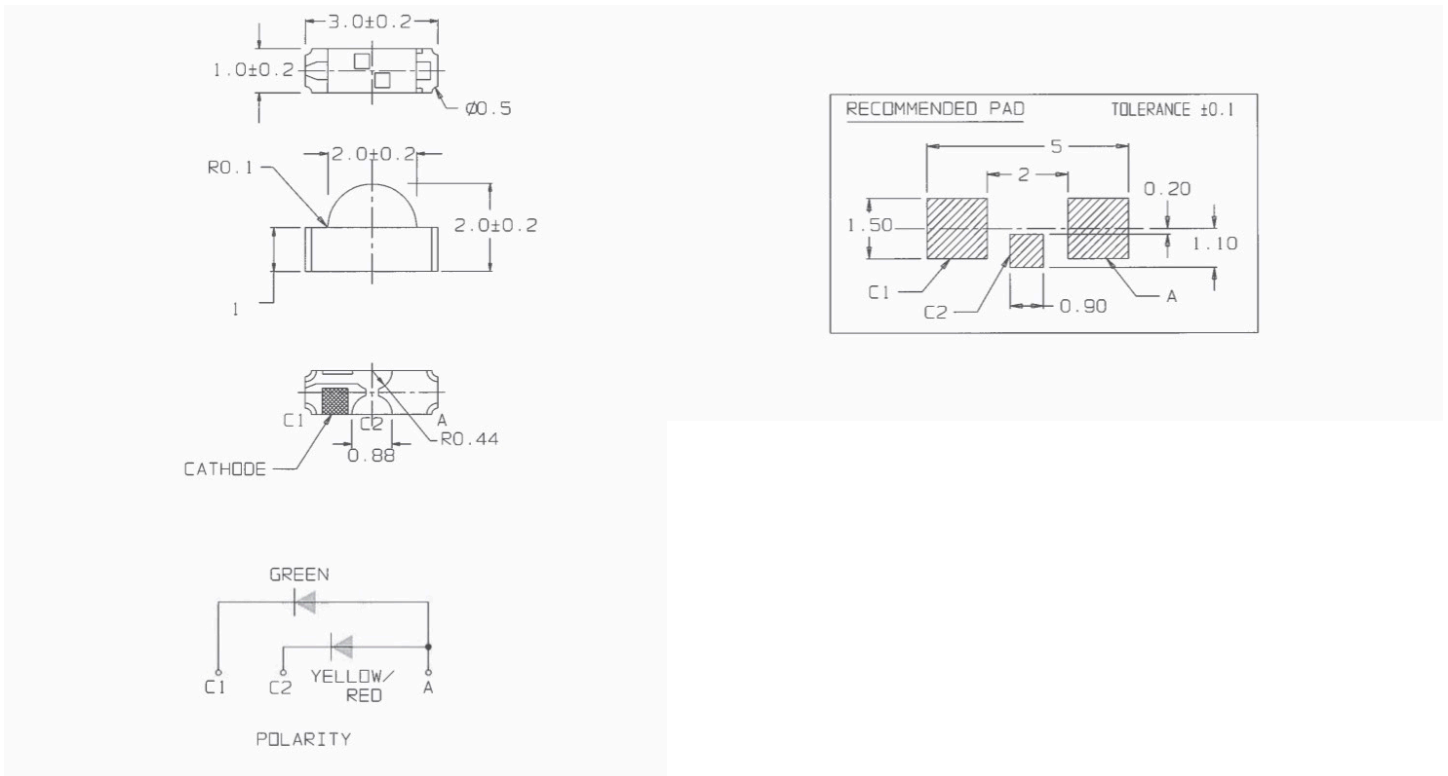
CMDA16AYOR7AIX	CMDA16AYOR7AIX	Absolute Maximum Ratings Ta = 25°C		Units
----------------	----------------	------------------------------------	--	-------

100	100	100	100	Power Dissipation	mW
-40 to 85	-40 to 85	-40 to 85	-40 to 85	Operating Temperature	°C
-40 to 90	-40 to 90	-40 to 90	-40 to 90	Storage Temperature	°C
160	160	160	160	Peak Forward Current Max. (See Note 1)	mA
5	5	5	5	Reverse Voltage (IR=100 µA)	V
5	5	5	5	Lead Solder Time at 260° C	seconds

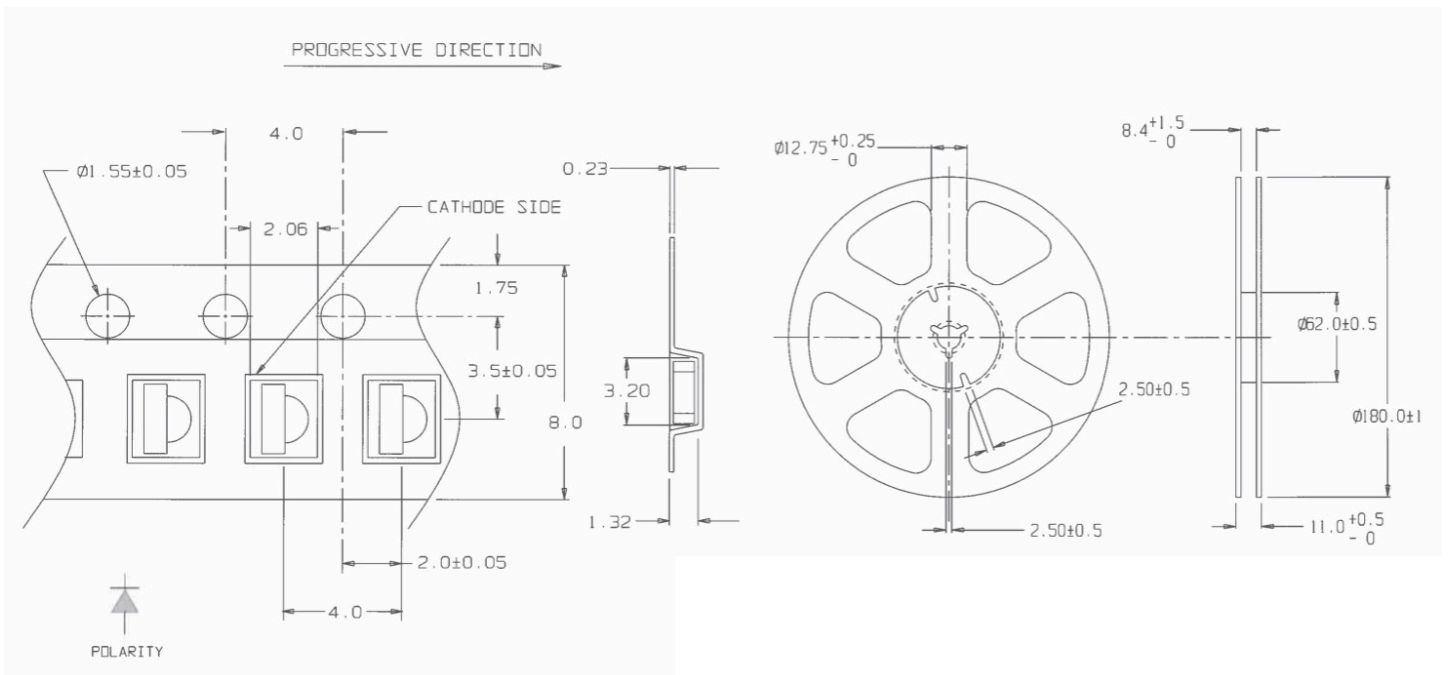
Notes:

1. Duty 1/10 @ 1 KHZ

Product Dimensions



Tape and Reel Dimensions



Notes:

1. All dimensions are in millimeters
2. Reels shall contain 2000 LEDs

X-ON Electronics

Largest Supplier of Electrical and Electronic Components

Click to view similar products for [Standard LEDs - SMD category](#):

Click to view products by [Visual Communications Company manufacturer](#):

Other Similar products are found below :

[LTST-C190KYKT](#) [LTST-C19GD2WT](#) [LTST-N683GBEW](#) [LTW-170ZDC](#) [LTW-M140SZS40](#) [598-8110-100F](#) [598-8170-100F](#) [598-8610-202F](#) [67-22VRVGC/TR8](#) [AAAF5060QBFSEEZGS](#) [HLMA-QG00-S0021](#) [HLMP-6305-L0011](#) [ALMD-LB36-SV002](#) [APT1608QGWW](#) [15-21UYC/S530-A3/TR8](#) [EAST2012YA0](#) [EASV1803BA0](#) [LG M67K-H1J2-24-0-2-R18-Z](#) [LS A676-P2S1-1](#) [SML310BATT86](#) [SML-512VWT86A](#) [SML-LX0606SISUGC/A](#) [SML-LXL1307SRC-TR](#) [SML-LXR851SIUPGUBC](#) [LT1ED53A](#) [FAT801-S](#) [AM27ZGC03](#) [APB3025SGNC](#) [APFA3010SURKCGKQBDC](#) [APHK1608VGCA](#) [APT2012QGW](#) [CLX6D-FKB-CN1R1H1BB7D3D3](#) [LTST-C250KGKT](#) [LTW-020ZDCG](#) [LTW-21TS5](#) [LTW-220DS5](#) [JANTXM19500/521-02](#) [UYGT801-S](#) [42-21UYC/S530-A3/TR8](#) [LO T67F-V1AB-24-1](#) [YGFR411-H](#) [598-8330-117F](#) [SML-LX0402IC-TR](#) [CMDA20AYAA7D1S](#) [CMDA16AYDR7A1X](#) [598-8040-100F](#) [598-8070-100F](#) [598-8140-100F](#) [598-8610-200F](#) [EAST2012GA0](#)