

**NOTES:**

1. ROHS COMPLIANT
2. MATERIAL:  
 PANEL CONNECTOR SOCKET - POLYPROPYLENE, UL RATING 94-HB  
 HEADER CONNECTOR - POLYESTER, UL RATING 94-V0  
 TERMINAL - PHOSPHOR BRONZE, TIN PLATE  
 WIRE - 24 AWG 1007/1569
3. MOUNTING: HOLE SIZE: 11/64" (4.37mm)
4. PANEL THICKNESS: .030" (.762mm) MIN - .075" (1.905mm) MAX  
 FOR PANEL THICKNESS .030" (.762mm) - .050" (1.270mm) USE 1 SPC 040 SPACER  
 FOR PANEL THICKNESS .055" (1.397mm) - .075" (1.905mm) NO SPACER REQUIRED
5. LED LEAD LENGTH: FOR SMC 130 - .380" (9.652mm); FOR SMC 170 - .320" (8.128mm)
6. U.S. & FOREIGN PATENT ISSUED AND PENDING

REVISIONS				
ECN #	REV	DESCRIPTION	DATE	INITIALS
	001	REVISED PER ECR 111009AZ01	9/28/10	KH
910	002	REVISED PER ECR 110216OL01	11/9/16	AS

CABLE ORDERING CODE EXAMPLE:  
**CNX B E 4 1 12**

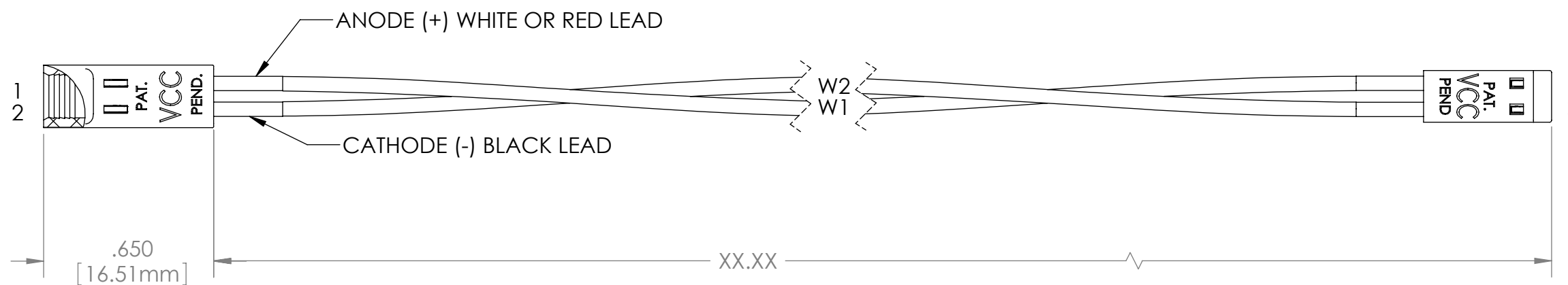
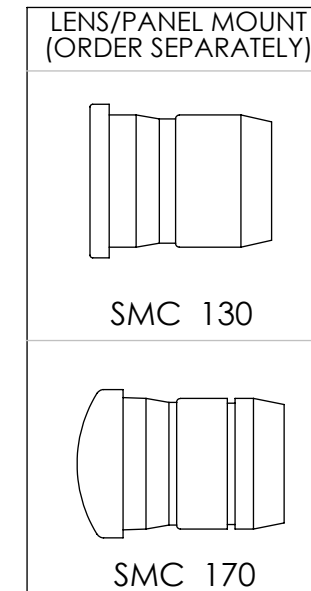
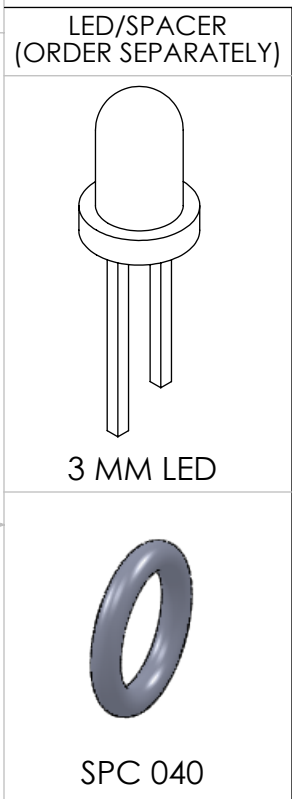
TERMINATION *	
X=	STRIPPED END
E=	SINGLE ROW LOCKING HEADER
G=	SINGLE ROW PLAIN HEADER
A=	W/TERMINALS; NO CONNECTOR

WIRE SIZE *	
2	22 AWG
4	24 AWG

WIRE COLOR *	
1	WHITE - BLACK
2	RED - BLACK

WIRE LENGTH *	
04	4 INCHES (101.6mm)
06	6 INCHES (152.4mm)
08	8 INCHES (203.2mm)
12	12 INCHES (304.8mm)
18	18 INCHES (457.2mm)
24	24 INCHES (609.6mm)
48	48 INCHES (1219.2mm)

\* CALL FACTORY FOR ADDITIONAL OPTIONS



<small>DIMENSION STYLE: INCHES / MM          GENERAL TOLERANCES UNLESS OTHERWISE SPECIFIED:</small> INCHES ±.500 MM ±12.7  <small>THIRD ANGLE PROJECTION</small> <small>PROPRIETARY AND CONFIDENTIAL          THE INFORMATION CONTAINED IN THIS DRAWING IS THE SOLE PROPERTY OF VISUAL COMMUNICATIONS COMPANY, INC. ANY REPRODUCTION IN PART OR AS A WHOLE WITHOUT THE WRITTEN PERMISSION OF VISUAL COMMUNICATIONS COMPANY, INC IS PROHIBITED.</small>	MATERIAL SEE NOTES	 <small>190 BOSSTICK BLVD, SUITE 101 SAN MARCOS, CA 92069 U.S.A          PHONE: (760) 560-1300, FAX: (760) 560-1301 EMAIL: vccsales@vccite.com</small> <b>TITLE:</b> <b>CNX B CABLE ASSEMBLY</b>						
	FINISH SEE NOTES		<table border="1"> <tr> <td>APPROVAL</td> <td>DATE</td> </tr> <tr> <td>DRAWN K.Howard</td> <td>9/28/10</td> </tr> <tr> <td>CHECKED DPZ</td> <td>11/29/10</td> </tr> </table>	APPROVAL	DATE	DRAWN K.Howard	9/28/10	CHECKED DPZ
APPROVAL	DATE							
DRAWN K.Howard	9/28/10							
CHECKED DPZ	11/29/10							
DO NOT SCALE DRAWING		<table border="1"> <tr> <td>SIZE <b>B</b></td> <td>DWG. NO. <b>CNX B ASSY</b></td> <td>REV <b>002</b></td> </tr> <tr> <td colspan="2">SCALE: 1:1</td> <td>SHEET 1 OF 1</td> </tr> </table>	SIZE <b>B</b>	DWG. NO. <b>CNX B ASSY</b>	REV <b>002</b>	SCALE: 1:1		SHEET 1 OF 1
SIZE <b>B</b>	DWG. NO. <b>CNX B ASSY</b>	REV <b>002</b>						
SCALE: 1:1		SHEET 1 OF 1						

## X-ON Electronics

Largest Supplier of Electrical and Electronic Components

*Click to view similar products for [Lighting Cables](#) category:*

*Click to view products by [Visual Communications Company](#) manufacturer:*

Other Similar products are found below :

[CL2-EXTEND](#) [96CB-E0605HAA1](#) [ZWF-915-J](#) [68801-4899](#) [68801-2112](#) [68801-2123](#) [68801-4124](#) [68801-4752](#) [68801-4850](#) [ZFS-CH144-12I](#) [96CB-E0405PCA3](#) [96CB-E0405PIC3](#) [96CB-E0605HAB1](#) [SSL11-J2LJ0-022A04](#) [CNXBE4218](#) [1-2058943-7](#) [1-2058943-8](#) [1-2083075-2](#) [1-2083080-1](#) [CNX310-120-X4124](#) [CNX\\_C\\_E\\_4\\_2\\_08](#) [CNXBE4118](#) [CNX\\_310\\_012\\_E\\_4\\_1\\_12](#) [2702306](#) [2702307](#) [SSL12-J4FJ0-000001](#) [180888-0405](#) [SSL12-J2LJ0-020F01](#) [180887-0430](#) [1705131](#) [180887-0410](#) [180778-0405](#) [1-2083029-8](#) [SSL12-J4LJ0-020H01](#) [180778-0430](#) [SSL12-P4LP0-M20H01](#) [SSL12-P4LP0-M20F01](#) [SSL12-P2LP0-M20F01](#) [SSL12-J4LJ0-020F01](#) [SSL11-J2LJ0-B22A04](#) [68801-4037](#) [68801-4039](#) [68801-4053](#) [68801-4055](#) [68801-4057](#) [68801-4059](#) [68801-4061](#) [960026](#) [2-2083030-2](#) [SSL12-J2LJ0-020A04](#)