

# Threaded Indicator Lights for .191" to .196" Dia. Mounting Hole

## L58 SERIES

- TAPERED AND SPLASHPROOF LED INDICATOR LIGHTS
- .191" TO .196" DIA. MOUNTING HOLE
- THREADED HOUSING AND NUT
- 8" WIRE LEADS OR STRAIGHT TERMINALS
- CLEAR OR DIFFUSED LENS • VARIOUS LENS COLORS

### Overview

The L58 Series LED indicators are constructed with a threaded housing with integral bezel and supplied with a mounting nut. Each unit has a high brightness clear or diffused LED and two color-coded 8" wire leads or straight terminals. Standard voltages range from 2 to 24 volts DC. Indicators mount into a 0.191"(4.85mm) to 0.196" diameter (4.98mm) mounting hole with a maximum panel thickness of 0.187" (4.76mm). Current: 20mA Typical.

### Specifications

**Housing:** zinc plated brass. A black anodized housing is also available.

#### For A Customized Splash-proof Unit:

**Splash-proof internal gasket:** neoprene. Add **P** to first part of part number, after lens designation. For example, **L58D-Y12-W** changes to **L58DP-Y12-W** for indicator light with an internal neoprene gasket for splash-proof protection.

**LED Lens:** clear (**L58C**) or diffused (**L58D**).

**LED DC voltage options:** 2, 6, 12 and 24 volts.

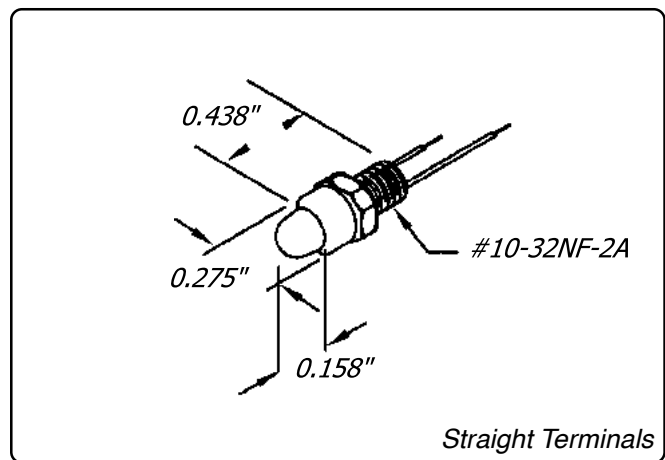
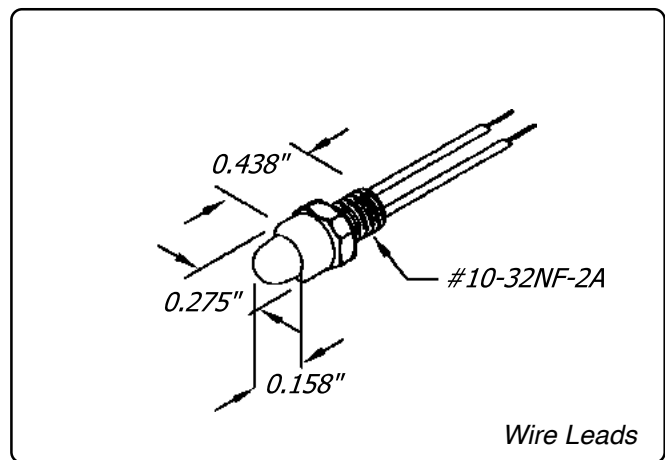
#### Wire leads:

**8" leads:** #24 AWG, prebonded copper, thin wall PVC, UL/CSA rated 105° C, stripped 1/2". A red wire lead denotes the anode (+) while a black wire lead identifies the cathode (-). Custom wire lengths, stripping, termination and wire types are available.

#### Terminals:

**Bare terminals:** longer terminal lead identifies the anode (+).

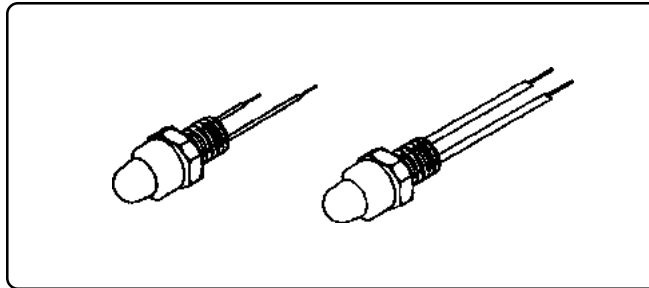
**Other LEDs:** bi-color, low current or ultra bright.





# Threaded Indicator Lights for .191" to .196" Dia. Mounting Hole

**L58 SERIES**  
Tapered LED  
Indicator Light  
2 to 24 Volts DC  
Clear Lens or  
Diffused Lens



**8" Wire Leads or  
Straight Terminals  
Brass Housing  
Various Lens Colors  
Threaded Housing  
And Nut**

Part Number 6" Wire Leads	Part Number Straight Terminals	Lens Style	Lens Color	Design Volts DC	Typical Intensity (mcd)	Typical Viewing Angle
L58C-G2-W	L58C-G2-T	Clear	Green	2	50	30°
L58C-G6-W	L58C-G6-T	Clear	Green	6	50	30°
L58C-G12-W	L58C-G12-T	Clear	Green	12	50	30°
L58C-G24-W	--	Clear	Green	24	50	30°
L58C-R2-W	L58C-R2-T	Clear	Red	2	50	30°
L58C-R6-W	L58C-R6-T	Clear	Red	6	50	30°
L58C-R12-W	L58C-R12-T	Clear	Red	12	50	30°
L58C-R24-W	--	Clear	Red	24	50	30°
L58C-Y2-W	L58C-Y2-T	Clear	Yellow	2	50	30°
L58C-Y6-W	L58C-Y6-T	Clear	Yellow	6	50	30°
L58C-Y12-W	L58C-T12-T	Clear	Yellow	12	50	30°
L58C-Y24-W	--	Clear	Yellow	24	50	30°
L58D-G2-W	L58D-G2-T	Diffused	Green	2	20	60°
L58D-G6-W	L58D-G6-T	Diffused	Green	6	20	60°
L58D-G12-W	L58D-G12-T	Diffused	Green	12	20	60°
L58D-G24-W	--	Diffused	Green	24	20	60°
L58D-R2-W	L58D-R2-T	Diffused	Red	2	10	60°
L58D-R6-W	L58D-R6-T	Diffused	Red	6	10	60°
L58D-R12-W	L58D-R12-T	Diffused	Red	12	10	60°
L58D-R24-W	--	Diffused	Red	24	10	60°
L58D-Y2-W	L58D-Y2-T	Diffused	Yellow	2	20	60°
L58D-Y6-W	L58D-Y6-T	Diffused	Yellow	6	20	60°
L58D-Y12-W	L58D-Y12-T	Diffused	Yellow	12	20	60°
L58D-Y24-W	--	Diffused	Yellow	24	20	60°

**Polarity Determination - Wire Leads:** Red wire lead denotes anode (+); black wire lead denotes cathode (-).  
**Bare terminals:** longer terminal lead identifies the anode (+).

## X-ON Electronics

Largest Supplier of Electrical and Electronic Components

*Click to view similar products for [LED Panel Mount Indicators](#) category:*

*Click to view products by [Visual Communications Company](#) manufacturer:*

Other Similar products are found below :

[607-3232-140F](#) [821-0331-503](#) [FL2870C8R](#) [FL2950WL7B](#) [FL2950WL8G](#) [FL589WL8R](#) [FL67C8R](#) [H8630FBBA3](#) [NL177WL2A](#)  
[NL177WL3G](#) [NL276C2A](#) [NL2950BWL3G](#) [NL589WL2R](#) [NL67C2C](#) [NL67C3R](#) [C480AABG3](#) [PB22BM41K](#) [PB22SIM40Y](#)  
[PB22SKRS31KC](#) [L32R-R2-2311](#) [L3353-MWRG](#) [L39UR-R24-2111](#) [L58D-G2-W](#) [L58D-Y2-W](#) [L59D-R12-W](#) [L59UD-R12-W](#) [L625DG](#)  
[L625DR](#) [LE177WL39007](#) [LH1048BSWL3702](#) [LH1048BWL3702](#) [LH382A](#) [LH677G](#) [LHM628A](#) [FL276WL7R](#) [FL2950BWL7R](#)  
[FL2950WL7R](#) [FL2950WL8R](#) [FL2950WL8R-12](#) [FL2951WL8G](#) [FL2951WL8R](#) [FL589C7R](#) [FL67WL8G](#) [MPC5BCW18.0](#) [556-1605-808F](#)  
[556-1705-809F](#) [556-3008-839F](#) [558-0201-818F](#) [559-0001-813F](#) [559-1301-801F](#)