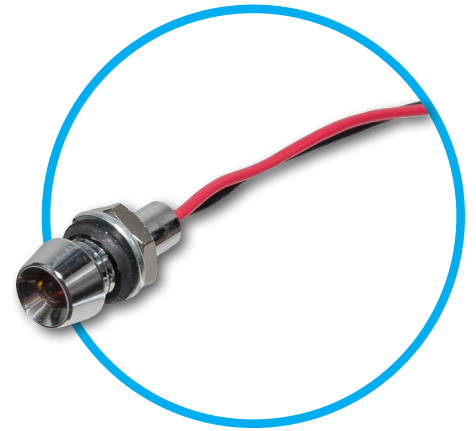




L60 Series 0.230" (5.9mm) Watertight LED Panel Mount Indicator

L60 Series offers a robust body with drip-proof protection in a small package



Applications

- automotive
- aerospace
- industrial
- instrumentation
- medical
- military
- mining
- outdoor
- safety
- transportation
- vending & gaming machines

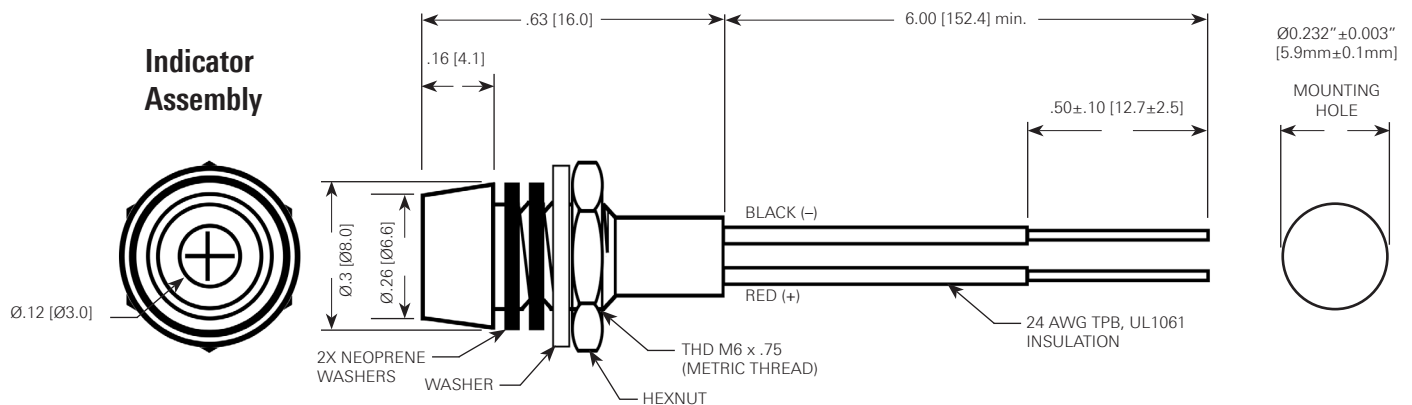
Key features

- watertight
- tinted diffused LEDs
- reflective chrome-plated body
- 45° viewing angle
- maximum panel thickness 0.070" (1.7mm)
- mounting hardware provided
- 6" (152.4mm) wire leads, 24 AWG
- mounting hole 0.232" ±0.003" (5.9mm ±0.1mm)
- Operating Temperature: -20 °C to +100 °C
- Storage Temperature: -40 °C to +100 °C
- RoHS compliant

Product Specifications

VCC Model Number	Output Color	Design Voltage / Current (Vf/If)	Max. Voltage / Current (Vf/If)	Typical Intensity (mcd)	Peak Wavelength (nm)
L60D-R5-W	RED	5VDC / 17mA	5.5VDC / 20mA	60	635
L60D-A5-W	AMBER	5VDC / 17mA	5.5VDC / 20mA	30	583
L60D-G5-W	GREEN	5VDC / 17mA	5.5VDC / 20mA	44	565
L60D-R12-W	RED	12VDC / 16mA	14VDC / 19mA	60	635
L60D-A12-W	AMBER	12VDC / 16mA	14VDC / 19mA	30	583
L60D-G12-W	GREEN	12VDC / 16mA	14VDC / 19mA </td <td>44</td> <td>565</td>	44	565
L60D-R28-W	RED	28VDC / 15.8mA	30VDC / 17.5mA	60	635
L60D-A28-W	AMBER	28VDC / 15.8mA	30VDC / 17.5mA	30	583
L60D-G28-W	GREEN	28VDC / 15.8mA	30VDC / 17.5mA	44	565

Dimensions



X-ON Electronics

Largest Supplier of Electrical and Electronic Components

Click to view similar products for [LED Panel Mount Indicators](#) category:

Click to view products by [Visual Communications Company](#) manufacturer:

Other Similar products are found below :

[607-3232-140F](#) [821-0331-503](#) [FL2870C8R](#) [FL2950WL7B](#) [FL2950WL8G](#) [FL589WL8R](#) [FL67C8R](#) [H8630FBBA3](#) [NL177WL2A](#)
[NL177WL3G](#) [NL276C2A](#) [NL2950BWL3G](#) [NL589WL2R](#) [NL67C2C](#) [NL67C3R](#) [C480AABG3](#) [PB22BM41K](#) [PB22SIM40Y](#)
[PB22SKRS31KC](#) [L32R-R2-2311](#) [L3353-MWRG](#) [L39UR-R24-2111](#) [L58D-G2-W](#) [L58D-Y2-W](#) [L59D-R12-W](#) [L59UD-R12-W](#) [L625DG](#)
[L625DR](#) [LE177WL39007](#) [LH1048BSWL3702](#) [LH1048BWL3702](#) [LH382A](#) [LH677G](#) [LHM628A](#) [FL276WL7R](#) [FL2950BWL7R](#)
[FL2950WL7R](#) [FL2950WL8R](#) [FL2950WL8R-12](#) [FL2951WL8G](#) [FL2951WL8R](#) [FL589C7R](#) [FL67WL8G](#) [MPC5BCW18.0](#) [556-1605-808F](#)
[556-1705-809F](#) [556-3008-839F](#) [558-0201-818F](#) [559-0001-813F](#) [559-1301-801F](#)