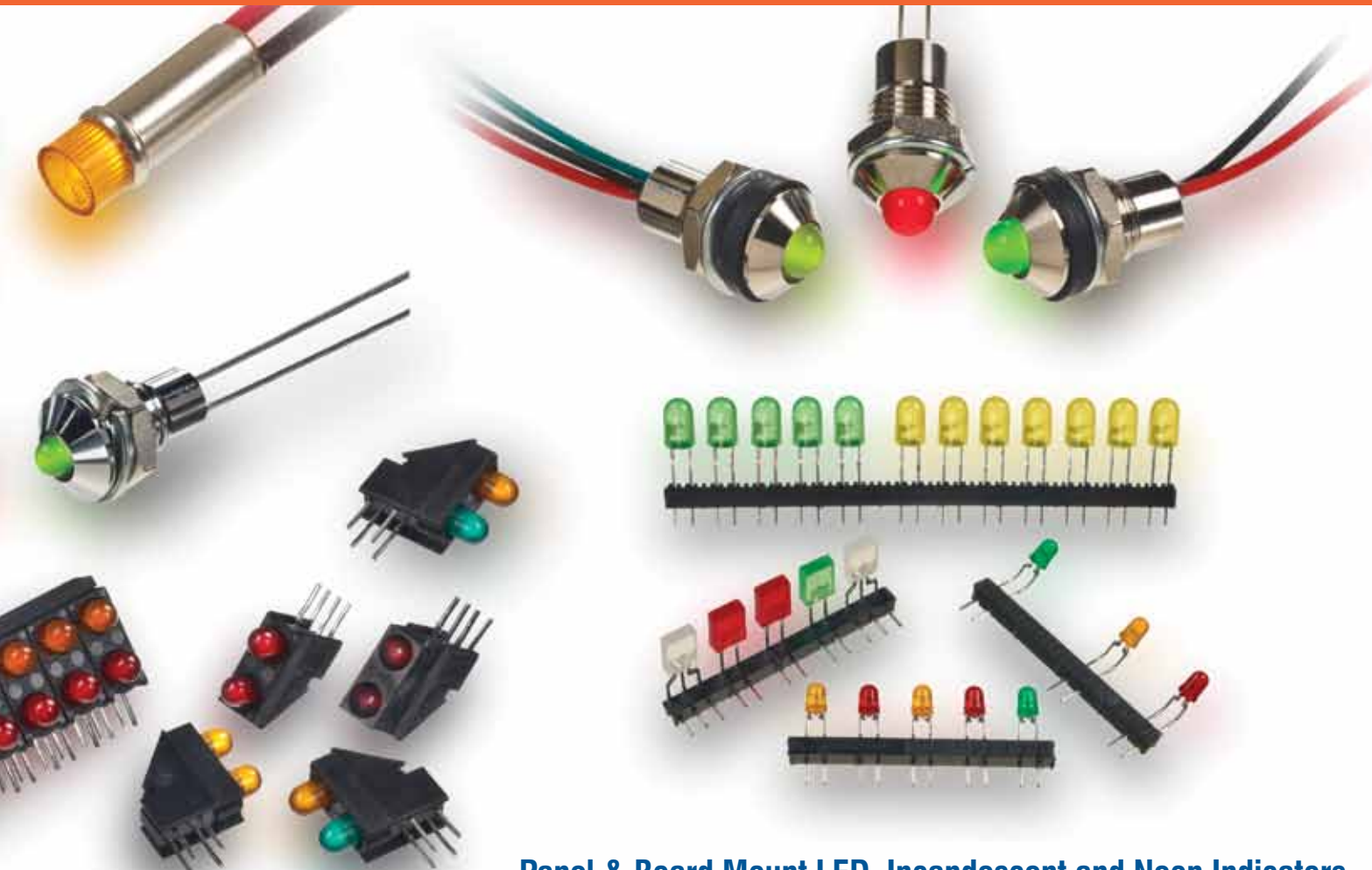




# WILBRECHT LEDCO, INC.

A Microprecision Company



Panel & Board Mount LED, Incandescent and Neon Indicators

Dear Customer,

For over 50 years Wilbrecht Ledco, Inc., a subsidiary of Microprecision Electronics, has provided OEM customers with customized precision electromechanical components manufactured in the United States for demanding medical, aerospace and telecommunications applications.

Wilbrecht Ledco is known in the industry for its innovative multiple LED bar mount design, which allows the assembly of virtually any combination of colors and LED types. This flexibility is also represented in Ledco's front and rear panel mount indicator lights, which can be supplied with custom defined lead lengths, colors and connectors.

Today Wilbrecht Ledco manufactures LED indicator lights, board mount LED assemblies as well as ultra-low TCR metal foil resistors in its Huron, South Dakota factory. This is a QPL and NASA qualified production site.

Sales offices for all Wilbrecht Ledco products as well as the complete switch range of Microprecision Electronics are located in St. Paul, Minnesota.

*For more information, please contact one of our locations or visit our websites.*

## **Locations**



**Wilbrecht Ledco Inc.**  
US Operation  
155 Waibel Drive NE  
Huron, SD 57350  
USA  
Tel: 605-352-7300  
Fax: 605-352-1624  
[www.wilbrechtledco.com](http://www.wilbrechtledco.com)



**Wilbrecht Ledco Inc.**  
US Sales Office  
1400 Energy Park Drive #20  
St. Paul, MN 55108  
USA  
Tel: 651-659-0919  
Fax: 651-659-9204  
[www.wilbrechtledco.com](http://www.wilbrechtledco.com)



**Microprecision Electronics SA**  
European Operation  
Rte de l'Industrie 27  
CH-1896 Vouvy  
Switzerland  
Tel: +41 (0) 24 481 43 43  
Fax: +41 (0) 24 481 43 60  
[www.microprecision.ch](http://www.microprecision.ch)

## **LED Panel Mount Indicators – Threaded Screw-On**

CS/BS Series T1 Panel Mount Reflector LED .....	2
CD Series T1 Panel Mount Reflector LED .....	3
CR/BR Series T1 3/4 Panel Mount Reflector LED .....	4
CC Series T1 3/4 Panel Mount Reflector LED .....	5
CRM Series T1 3/4 Rear Mount LED .....	6

## **LED Panel Mount Indicators – Snap-In and Hardware Mount**

L30/L31 Series T1 Panel LED.....	7
L40/L41 Series T1 Rear Mount Panel LED .....	8
L50/L51 Series T1 3/4 Panel LED .....	9
L60/L61 Series T 1 3/4 Rear Mount LED .....	10
4000/3000 Series T1 Panel LED .....	11
4400/7400 Series Panel Mount Cartridge LED.....	12
100/600 Series T1 3/4 LED Panel Mount Indicator .....	13

## **Incandescent/Neon Panel Mount Indicators**

400/300 Series Incandescent/Neon Panel Mount Indicator .....	14
100/600 Series Incandescent/Neon Panel Mount Indicator .....	15
700 Series Incandescent /Neon Panel Mount Cartridge Indicator .....	16

## **PCB-Mount LEDs**

RA Series T1 Right Angle LED Bar .....	17
T1 Right Angle LED Bar – .122” High LED Centerline .....	18
T1 Right Angle LED Bar – .150” High LED Centerline .....	19
DRA/DRS Series T1 Right Angle LED Bar .....	20
TRA/TRS Series T1 Right Angle LED Bar .....	21
RA Series T1 3/4 Right Angle LED Bar .....	22
BN/BT Series T1 3/4 Right Angle LED Bar .....	23
VBI/VBD Series Vertical LED Bar .....	24

## Special Features

- Sealed against moisture and dust – watertight gasket option and IP66 sealing available
- Optional internal resistor for 5V-60VDC – resistor on lead for 3 leaded bicolor LED
- Custom assemblies for 5V-60VAC and 120VAC
- Mil Spec MIL-W22759/33 wire and connector options

## Specifications

- Mounting hole: .230" ± .002" (5.84 ± 0.05 mm)
- Termination: 24 AWG UL1061 6.0" (152.4mm) red (anode) and black (cathode) leads stripped to .250" (6.35 mm) standard or LED pins
- Housing: Nickel-plated brass or black anodized brass housing
- Maximum panel thickness: .130" (3.30mm) standard, .070" (1.78mm) with gasket
- Mounting torque: 20 +/- 2 in-lb (2.26 +/- 0.23N-mm)

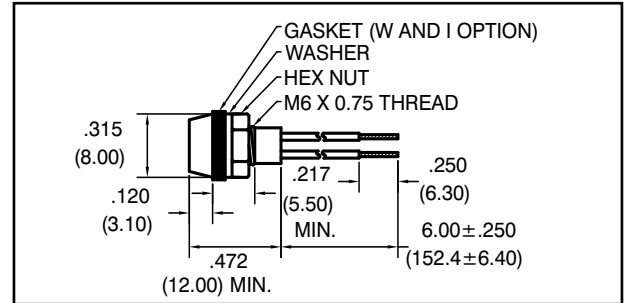
## Electrical and Optical Characteristics (TA = 25°C)

LED Part #	Color	Luminous Intensity (mcd) Typ. @ I <sub>f</sub> (mA)	V <sub>f</sub> Typ. @ I <sub>f</sub> (mA)	Viewing Angle 2 θ ½	Peak Wavelength (nm)		
<b>HIGH EFFICIENCY</b>							
8708	Red	40.0	20	2.0	20	35°	635
8709	Green	40.0	20	2.2	20	35°	568
8710	Yellow	30.0	20	2.1	20	35°	585
<b>LOW CURRENT (Use-0001 for resistor code)</b>							
8702	Red	6.0	2	1.8	2	40°	635
8703	Green	8.0	2	1.8	2	40°	568
8704	Yellow	4.0	2	1.9	2	40°	585
<b>BICOLOR (2 leaded)</b>							
8700	Red	30.0	20	2.0	20	45°	635
	Green	30.0	20	2.2	20		568
8701	Yellow	15.0	20	2.1	20	45°	585
	Green	30.0	20	2.2	20		568
<b>BICOLOR (3 leaded-common cathode)</b>							
3804	Red	44.0	20	2.0	20	60°	627
	Green	34.0	20	2.2	20		565
3803	Yellow	17.0	20	2.1	20	60°	590
	Green	34.0	20	2.2	20		565
<b>BLINKING (Operates at 3.5V to 14V, blinking frequency from 3.0Hz to 1.5Hz)</b>							
8713	Red	198.0	22	5.0	22	60°	660
<b>ULTRA BRIGHT - DAYLIGHT READABLE</b>							
2702	Red	299.0	20	1.85	20	60°	660
2700	Green	199.0	20	2.1	20	60°	574
2701	Yellow	219.0	20	2.0	20	60°	590
<b>SUPER BLUE</b>							
8711	Blue	2300.0	20	3.5	20	25°	470
<b>WHITE</b>							
8712	White	250.0	20	3.6	20	30°	N/A



3mm Panel Mount LED Assemblies

## Package Dimensions



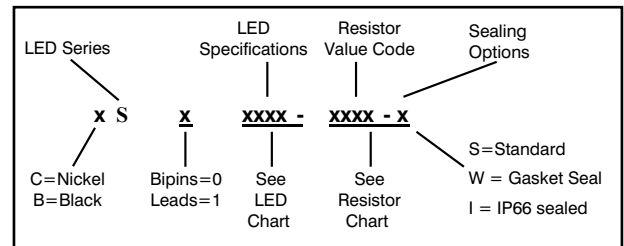
All dimensions are in inches (mm)

## Resistor Chart

OPERATING SPECIFICATIONS				
Resistor Value Code	Voltage	Current (mA)	Resistor Value (Ohms) Green, Yellow Red, Bicolor LED	Resistor Value (Ohms) Blue, White LED
0000	2	10 or 20	None	Not Available
9900	5	10		
9928	5	10		121
9901	12	10	1000	
9902	12	10		715
9903	24	10	2210	
9904	24	10		1910
9905	28	10	2610	
9906	28	10		2320
9907	5	20	150	
9922	5	20		65
9908	12	20	511	
9909	12	20		357
9910	24	20	1100	
9911	24	20		953
9912	48	9	4870	
9913	48	9		4350
9914	60	7	8250	
9915	60	7		7500
9920	120VAC	8	6490	Contact WLI

Note: Bi-Color and Tri-Color not available in AC voltages

## How To Order



## Special Features

- Sealed against moisture and dust – watertight gasket option and IP66 sealing available
- Optional internal resistor for 5V-60VDC – resistor on lead for 3 leaded bicolor LED
- Custom assemblies for 5V-60VAC and 120VAC
- Mil Spec MIL-W22759/33 wire and connector options

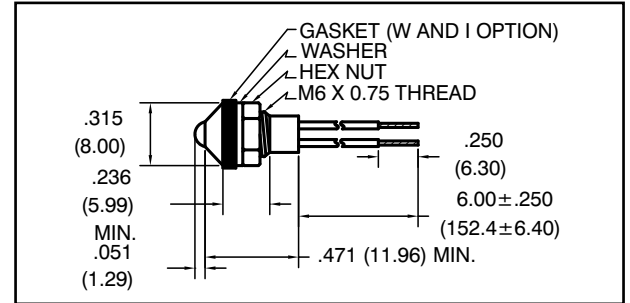
## Specifications

- Mounting hole: .230" ± .002" (5.84 ± 0.05 mm)
- Termination: 24 AWG UL1061 6.0" (152.4mm) red (anode) and black (cathode) leads stripped to .250" (6.35 mm) standard or LED pins
- Housing: Nickel plated brass housing
- Maximum panel thickness: .150" (3.81 mm) standard, .090" (2.29 mm) watertight
- Mounting torque: 20 ± 2 in-lb (2.26 ± 0.23 N-mm)



3mm Panel Mount LED Assemblies

## Package Dimensions



All dimensions are in inches (mm)

## Resistor Chart

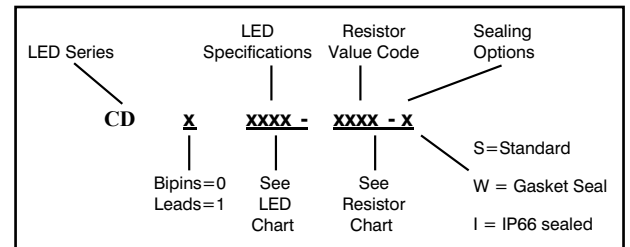
OPERATING SPECIFICATIONS				
Resistor Value Code	Voltage	Current (mA)	Resistor Value (Ohms) Green, Yellow Red, Bicolor LED	34.0 Resistor Value (Ohms) Blue, White LED
0000	2	10 or 20	None	Not Available
9900	5	10	332	
9928	5	10		121
9901	12	10	1000	
9902	12	10		715
9903	24	10	2210	
9904	24	10		1910
9905	28	10	2610	
9906	28	10		2320
9907	5	20	150	
9922	5	20		65
9908	12	20	511	
9909	12	20		357
9910	24	20	1100	
9911	24	20		953
9912	48	9	4870	
9913	48	9		4530
9914	60	7	8250	
9915	60	7		7500
9920	120VAC	8	6490	Contact WLI

Note: Bi-Color and Tri-Color not available in AC Voltages

## Electrical and Optical Characteristics (TA = 25°C)

LED Part #	Color	Luminous Intensity (mcd) Typ. @ I <sub>F</sub> (mA)	V <sub>F</sub> Typ. @ I <sub>F</sub> (mA)	Viewing Angle 2 θ ½	Peak Wavelength (nm)		
<b>HIGH EFFICIENCY</b>							
8708	Red	40.0	20	2.0	20	35°	635
8709	Green	40.0	20	2.2	20	35°	568
8710	Yellow	30.0	20	2.1	20	35°	585
<b>LOW CURRENT (Use-0001 for resistor code)</b>							
8702	Red	6.0	2	1.8	2	40°	635
8703	Green	8.0	2	1.8	2	40°	568
8704	Yellow	4.0	2	1.9	2	40°	585
<b>BICOLOR (2 leaded)</b>							
8700	Red	30.0	20	2.0	20	45°	635
	Green	30.0	20	2.2	20		568
8701	Yellow	15.0	20	2.1	20	45°	585
	Green	30.0	20	2.2	20		568
<b>BICOLOR (3 leaded-common cathode)</b>							
3804	Red	44.0	20	2.0	20	60°	627
	Green	34.0	20	2.2	20		565
3803	Yellow	17.0	20	2.1	20	60°	590
	Green	34.0	20	2.2	20		565
<b>BLINKING (Operates at 3.5V to 14V, blinking frequency from 3.0Hz to 1.5Hz)</b>							
8713	Red	198.0	22	5.0	22	60°	660
<b>ULTRA BRIGHT - DAYLIGHT READABLE</b>							
2702	Red	299.0	20	1.85	20	60°	660
2700	Green	199.0	20	2.1	20	60°	574
2701	Yellow	219.0	20	2.0	20	60°	590
<b>SUPER BLUE</b>							
8711	Blue	2300.0	20	3.5	20	25°	470
<b>WHITE</b>							
8712	White	250.0	20	3.6	20	30°	N/A

## How To Order



## Special Features

- Sealed against moisture and dust – gasket option and IP66 sealing available
- Optional internal resistor for 5V-60VDC, 5V-60VAC and 120VAC option
- Mil Spec MIL-W22759/33 wire and connector options

## Specifications

- Mounting hole: .312" ± .002" (7.93 ± 0.05 mm)
- Termination: 24 AWG UL1061 6.0" (152.4 mm) red (anode) and black (cathode) leads stripped .250" (6.35 mm) standard or LED pins
- Housing: Nickel plated brass or black anodized brass housing
- Maximum panel thickness: .160" (4.06 mm) standard, .100" (2.54 mm) gasket seal
- Mounting torque: 20 ± 2 in-lb (2.26 ± 0.23 N-mm)

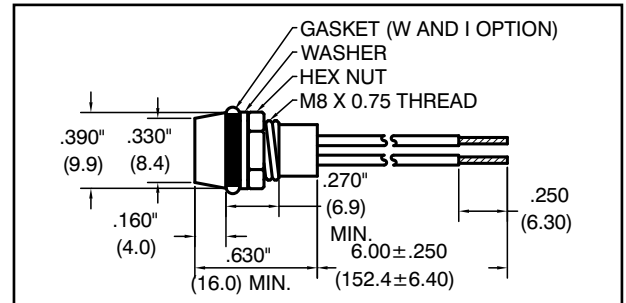
## Electrical and Optical Characteristics (TA = 25°C)

LED Part #	Color	Luminous Intensity (mcd) Typ. @ I <sub>F</sub> (mA)	V <sub>F</sub> Typ. @ I <sub>F</sub> (mA)	Viewing Angle 2θ 1/2	Peak Wavelength (nm)		
<b>HIGH EFFICIENCY</b>							
3008	Red	11.0	10	1.9	10	60°	635
3019	Green	14.0	10	2.1	10	60°	565
3020	Yellow	8.0	10	2.0	10	60°	583
3022	Orange	7.0	10	1.9	10	60°	600
<b>ULTRA BRIGHT – DAYLIGHT READABLE</b>							
3056	Red	400.0	20	1.9	20	30°	660
3055	Yellow	400.0	20	2.0	20	30°	590
3054	Green	300.0	20	3.2	20	30°	520
3060	Orange	600.0	20	2.1	20	30°	610
<b>SUPER ULTRA BRIGHT</b>							
3036	Red	2800.0	20	1.85	20	20°	660
3046	Red	900.0	20	1.9	20	30°	626
3047	Green	5490.0	20	3.2	20	20°	520
3048	Amber	1300.0	20	2.02	20	30°	592
<b>BLINKING (Operates at 3.5V to 14V, blinking frequency from 3.0Hz to 1.5Hz)</b>							
4002	Red	198.0	22	5.0	22	60°	660
<b>BICOLOR (3 leaded – common cathode)</b>							
0909	Red	697.0	20	1.95	20	60°	650
	Green	198.0	20	2.1	20		574
0910	Yellow	198.0	20	2.0	20	60°	590
	Green	168.0	20	2.1	20		574
<b>TRICOLOR (4 leaded – common cathode)</b>							
3900	Red	547.0	20	1.9	20	60°	640
	Yellow	397.0	20	2.0	20	60°	590
	Green	497.0	20	3.2	20	60°	520
<b>FULL COLOR R/G/B (4 leaded – common anode)</b>							
2400	Red	2490.0	20	2.2	20	60°	640
	Green	377.0	20	3.2	20	60°	520
	Blue	1095.0	20	3.3	20	60°	461
<b>BLUE</b>							
3044	Blue	60.0	20	3.8	20	20°	430
3057	Blue	640.0	20	3.3	20	20°	468
<b>WHITE</b>							
3061	White	27000.0	20	3.2	20	15°	N/A



5mm Panel Mount LED Assemblies

## Package Dimensions



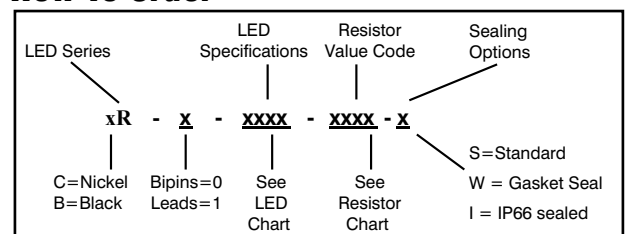
All dimensions are in inches (mm)

## Resistor Chart

OPERATING SPECIFICATIONS				
Resistor Value Code	Voltage	Current (mA)	Resistor Value (Ohms) Green, Yellow Red, Bicolor LED	Resistor Value (Ohms) Blue, White LED
0000	2	10 or 20	None	Not Available
9900	5	10	332	
9928	5	10		121
9901	12	10	1000	
9902	12	10		715
9903	24	10	2210	
9904	24	10		1910
9905	28	10	2610	
9906	28	10		2320
9907	5	20	150	
9922	5	20		65
9908	12	20	511	
9909	12	20		357
9910	24	20	1100	
9911	24	20		953
9912	48	9	4870	
9913	48	9		4530
9914	60	7	8250	
9915	60	7		7500
9920	120VAC	3.5	34000	Contact WLI

Note: Bi-Color and Tri-Color not available in AC voltages

## How To Order





5mm Panel Mount LED Assemblies

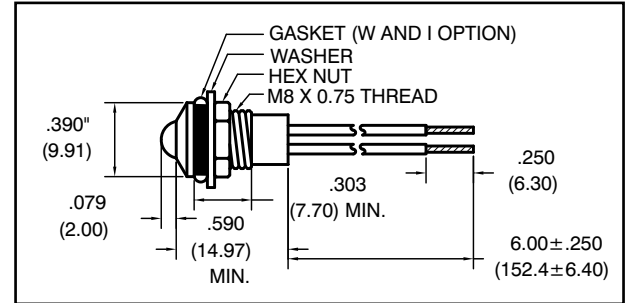
## Special Features

- Sealed against moisture and dust – gasket option and IP66 sealing available
- Optional internal resistor for 5V-60VDC, 5V-60VAC and 120VAC option available
- Mil Spec MIL-W22759/33 wire and connector options

## Specifications

- Mounting hole: .312" ± .002" (7.93 ± 0.05 mm)
- Termination: 24 AWG UL1061 6.0" (152.4 mm) red (anode) and black (cathode) leads stripped .250" (6.35 mm) standard or LED pins
- Housing: Nickel-plated brass
- Maximum panel thickness: .200" (5.08 mm) standard, .140" (3.56 mm) with gasket
- Mounting torque: 20 ± 2 in-lb (2.26 ± 0.23 N-m)

## Package Dimensions



All dimensions are in inches (mm)

## Electrical and Optical Characteristics (TA = 25°C)

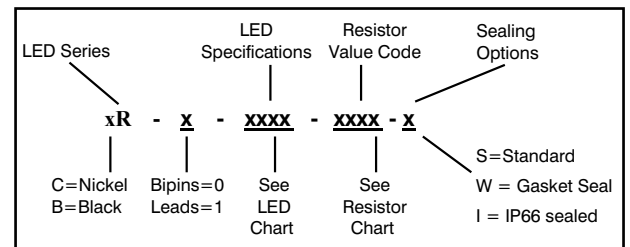
LED Part #	Color	Luminous Intensity (mcd) Typ. @ I <sub>f</sub> (mA)	V <sub>f</sub> Typ. @ I <sub>f</sub> (mA)	Viewing Angle 2θ ½	Peak Wavelength (nm)		
<b>HIGH EFFICIENCY</b>							
3008	Red	11.0	10	1.9	10	60°	635
3019	Green	14.0	10	2.1	10	60°	565
3020	Yellow	8.0	10	2.0	10	60°	583
3022	Orange	7.0	10	1.9	10	60°	600
<b>ULTRA BRIGHT – DAYLIGHT READABLE</b>							
3056	Red	400.0	20	1.9	20	30°	660
3055	Yellow	400.0	20	2.0	20	30°	590
3054	Green	300.0	20	3.2	20	30°	520
3060	Orange	600.0	20	2.1	20	30°	610
<b>SUPER ULTRA BRIGHT</b>							
3036	Red	2800.0	20	1.85	20	20°	660
3046	Red	900.0	20	1.9	20	30°	626
3047	Green	5490.0	20	3.2	20	20°	520
3048	Amber	1300.0	20	2.02	20	30°	592
<b>BLINKING (Operates at 3.5V to 14V, blinking frequency from 3.0Hz to 1.5Hz)</b>							
4002	Red	198.0	22	5.0	22	60°	660
<b>BICOLOR (3 leaded – common cathode)</b>							
0909	Red	697.0	20	1.95	20	60°	650
	Green	198.0	20	2.1	20		574
0910	Yellow	198.0	20	2.0	20	60°	590
	Green	168.0	20	2.1	20		574
<b>TRICOLOR (4 leaded – common cathode)</b>							
3900	Red	547.0	20	1.9	20	60°	640
	Yellow	397.0	20	2.0	20	60°	590
	Green	497.0	20	3.2	20	60°	520
<b>FULL COLOR R/G/B (4 leaded – common anode)</b>							
2400	Red	2490.0	20	2.2	20	60°	640
	Green	377.0	20	3.2	20	60°	520
	Blue	1095.0	20	3.3	20	60°	461
<b>BLUE</b>							
3044	Blue	60.0	20	3.8	20	20°	430
3057	Blue	640.0	20	3.3	20	20°	468
<b>WHITE</b>							
3061	White	27000.0	20	3.2	20	15°	N/A

## Resistor Chart

OPERATING SPECIFICATIONS				
Resistor Value Code	Voltage	Current (mA)	Resistor Value (Ohms) Green, Yellow Red, Bicolor LED	Resistor Value (Ohms) Blue, White LED
0000	2	10 or 20	None	Not Available
9900	5	10	332	
9928	5	10		121
9901	12	10	1000	
9902	12	10		715
9903	24	10	2210	
9904	24	10		1910
9905	28	10	2610	
9906	28	10		2320
9907	5	20	150	
9922	5	20		65
9908	12	20	511	
9909	12	20		357
9910	24	20	1100	
9911	24	20		953
9912	48	9	4870	
9913	48	9		4530
9914	60	7	8250	
9915	60	7		7500
9920	120VAC	3.5	34000	Contact WLI

Note: Bi-Color and Tri-Color not available in AC voltages

## How To Order



## Special Features

- Rugged watertight construction – sealed to IP66
- Rear mounts in .315" (8.00 mm) D-shaped hole
- Optional internal resistor for for 5V-60VDC, 5V-60VAC and 120VAC option
- Mil Spec MIL-W22759/33 wire and connector options
- Internally potted-suitable for high vibration applications

## Specifications

- Mounting hole: .315" ± .002" (8.00 ± 0.05 mm) D-shaped hole
- Termination: 24AWG UL1061 6.0" (152.4mm) red(anode) and black (cathode) leads stripped .250" (6.35 mm) standard or LED pins
- Housing: Nickel-plated brass housing
- Panel thickness: .118" ± .006" ( 3.00 ± 0.15mm ) Spacer available for .060" (1.52 mm) thick panel
- Mounting torque: 20 ± 2 in-lb ( 2.26 ± 0.23 N-mm )

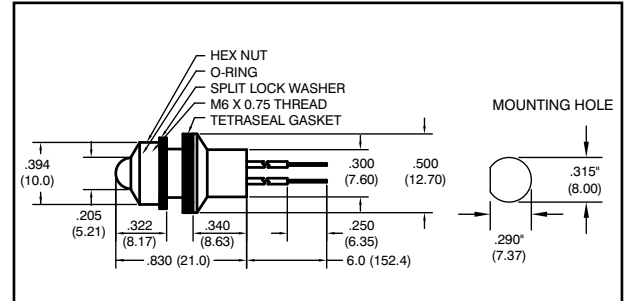
## Electrical and Optical Characteristics (TA = 25°C)

LED Part #	Color	Luminous Intensity (mcd) Typ. @ I <sub>f</sub> (mA)	V <sub>f</sub> Typ. @ I <sub>f</sub> (mA)	Viewing Angle 2 θ ½	Peak Wavelength (nm)		
<b>HIGH EFFICIENCY</b>							
3008	Red	11.0	10	1.9	10	60°	635
3019	Green	14.0	10	2.1	10	60°	565
3020	Yellow	8.0	10	2.0	10	60°	583
3022	Orange	7.0	10	1.9	10	60°	600
<b>ULTRA BRIGHT – DAYLIGHT READABLE</b>							
3056	Red	400.0	20	1.9	20	30°	660
3055	Yellow	400.0	20	2.0	20	30°	590
3054	Green	300.0	20	3.2	20	30°	520
3060	Orange	600.0	20	2.1	20	30°	610
<b>SUPER ULTRA BRIGHT</b>							
3036	Red	2800.0	20	1.85	20	20°	660
3046	Red	900.0	20	1.9	20	30°	626
3047	Green	5490.0	20	3.2	20	20°	520
3048	Amber	1300.0	20	2.02	20	30°	592
<b>BLINKING (Operates at 3.5V to 14V, blinking frequency from 3.0Hz to 1.5Hz )</b>							
4002	Red	198.0	22	5.0	22	60°	660
<b>BICOLOR (3 leaded – common cathode)</b>							
0909	Red	697.0	20	1.95	20	60°	650
	Green	198.0	20	2.1	20		574
0910	Yellow	198.0	20	2.0	20	60°	590
	Green	168.0	20	2.1	20		574
<b>TRICOLOR (4 leaded – common cathode)</b>							
3900	Red	547.0	20	1.9	20	60°	640
	Yellow	397.0	20	2.0	20	60°	590
	Green	497.0	20	3.2	20	60°	520
<b>FULL COLOR R/G/B (4 leaded – common anode)</b>							
2400	Red	2490.0	20	2.2	20	60°	640
	Green	377.0	20	3.2	20	60°	520
	Blue	1095.0	20	3.3	20	60°	461
<b>BLUE</b>							
3044	Blue	60.0	20	3.8	20	20°	430
3057	Blue	640.0	20	3.3	20	20°	468
<b>WHITE</b>							
3061	White	27000.0	20	3.2	20	15°	N/A



5mm Panel Mount LED Assemblies

## Package Dimensions



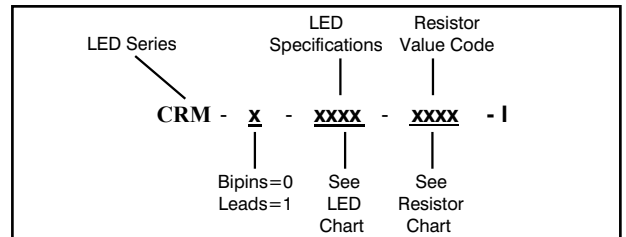
All dimensions are in inches (mm)

## Resistor Chart

OPERATING SPECIFICATIONS				
Resistor Value Code	Voltage	Current (mA)	Resistor Value (Ohms) Green, Yellow Red, Bicolor LED	Resistor Value (Ohms) Blue, White LED
0000	2	10 or 20	None	Not Available
9900	5	10	332	
9928	5	10		121
9901	12	10	1000	
9902	12	10		715
9903	24	10	2210	
9904	24	10		1910
9905	28	10	2610	
9906	28	10		2320
9907	5	20	150	
9922	5	20		65
9908	12	20	511	
9909	12	20		357
9910	24	20	1100	
9911	24	20		953
9912	48	9	4870	
9913	48	9		4530
9914	60	7	8250	
9915	60	7		7500
9920	120VAC	3.5	34000	Contact WLI

Note: Bi-Color, Tri-Color and Full Color not available in AC voltages

## How To Order





## Special Features

- Front mounting snap-in LED- no mounting hardware required
- Optional resistor in lead
- Custom wire options

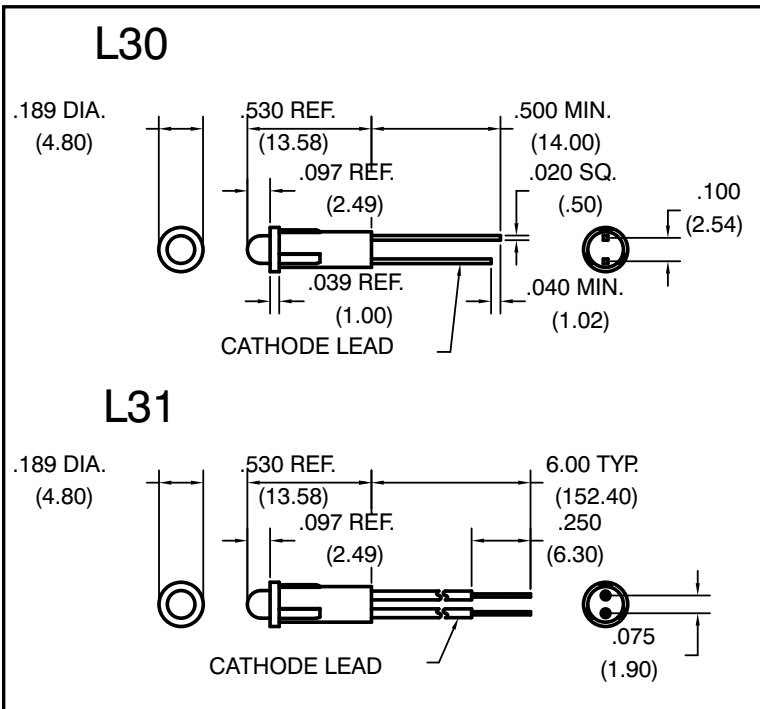
## Specifications

- Mounting hole:  $.158" \pm .001"$  ( $4.01 \pm .03\text{mm}$ )
- Termination: 26AWG UL1061 6.0" (152.4 mm) red (anode) and black(cathode) leads stripped to  $.250"$  (6.35 mm) standard or LED pins
- Housing: Black nylon UL94V-2

## Electrical and Optical Characteristics (TA = 25°C)

LED Part #	Color	Luminous Intensity (mcd) Typ. @ I <sub>f</sub> (mA)		V <sub>f</sub> Typ. @ I <sub>f</sub> (mA)	Viewing Angle 2θ ½	Peak Wavelength (nm)	
<b>HIGH EFFICIENCY</b>							
4200	Green	42.0	20	2.2	20	45°	569
4201	Yellow	25.0	20	2.1	20	45°	595
4202	Red	27.0	20	2.1	20	45°	640
<b>LOW CURRENT (Use -0001 for resistor code)</b>							
4203	Green	2.0	2	1.9	2	45°	568
4204	Yellow	1.5	2	1.8	2	45°	585
4205	Red	1.8	2	1.8	2	45°	640
<b>BICOLOR</b>							
4206	Red	40.0	20	2.0	20	40°	640
	Green	55.0	20	2.1	20		568
4207	Amber	50.0	20	2.1	20	40°	610
	Green	60.0	20	2.2	20		568
<b>BLUE</b>							
4208	Blue	800.0	20	3.5	20	35°	460

## Package Dimensions



All dimensions are in inches (mm)



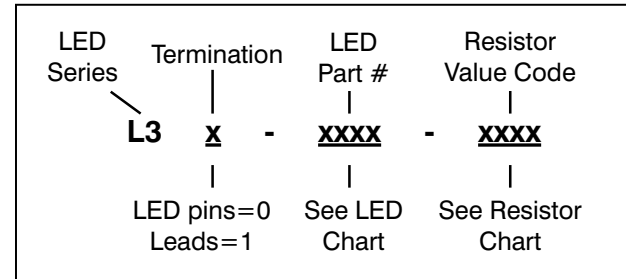
3mm Panel Mount LED Assemblies

## Resistor Chart

OPERATING SPECIFICATIONS				
Resistor Value Code	Voltage	Current (mA)	Resistor Value (Ohms) Green, Yellow Red, Bicolor LED	Resistor Value (Ohms) Blue, White LED
0000	2	10 or 20	None	Not Available
9900	5	10	332	None
9928	5	10		121
9901	12	10	1000	
9902	12	10		715
9903	24	10	2210	
9904	24	10		1910
9905	28	10	2610	
9906	28	10		2320
9907	5	20	150	
9922	5	20		65
9908	12	20	511	
9909	12	20		357
9910	24	20	1100	
9911	24	20		953
9912	48	9	4870	
9913	48	9		4530
9914	60	7	8250	
9915	60	7		7500
9920	120VAC	8	6490	Contact WLI

Note: Bi-Color not available in AC voltages

## How To Order



## Special Features

- Rear mounting friction fit- no mounting hardware require
- Custom housing lengths and lead lengths available
- Optional internal resistor – can be customized for AC applications
- Sealed against moisture and dust - IP66 sealing available
- Fits panel thickness .031" (0.79mm), .060" (1.52 mm)
- .125" (3.18 mm), .187" (4.75 mm), and .220" (5.59 mm)
- Wide selection of wire sizes and types – including Mil Spec MIL-W-22759/33 wire
- Ganged LED assembly with connector built to your spec

## Specifications

- Mounting hole: .187" ± .001" (4.75 ± .03 mm)
- Termination: 22AWG UL1061 6.0"(152.4 mm) gray (anode) and black (cathode) leads stripped .250" (6.35 mm) standard or LED pins
- Housing: Black butyrate plastic

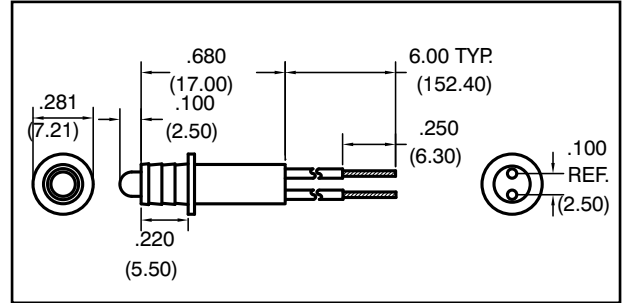
## Electrical and Optical Characteristics (TA = 25°C)

LED Part #	Color	Luminous Intensity (mcd) Typ. @ I <sub>f</sub> (mA)	V <sub>f</sub> Typ. @ I <sub>f</sub> (mA)	Viewing Angle 2θ 1/2	Peak Wavelength (nm)		
<b>HIGH EFFICIENCY</b>							
1300	Yellow	6.0	10	2.0	10	60°	583
1301	Red	5.5	10	1.9	10	60°	635
1302	Green	5.0	10	2.1	10	60°	565
1313	Orange	5.5	10	1.9	10	60°	600
<b>LOW CURRENT (Use -0001 for resistor code)</b>							
1303	Red	2.1	2	1.7	2	50°	635
1304	Yellow	2.1	2	1.8	2	50°	583
1305	Green	2.3	2	1.9	2	50°	565
<b>BICOLOR (2 leaded)</b>							
8901	Red	20.0	20	2.0	20	60°	627
	Green	16.0	20	2.2	20		565
8903	Yellow	7.0	20	2.1	20	60°	590
	Green	16.0	20	2.2	20		565
<b>BLUE</b>							
8310	Blue	1100	20	3.3	20	30°	468
<b>ULTRA BRIGHT</b>							
1310	Red	55.0	20	1.9	20	45°	635
1311	Yellow	45.0	20	2.1	20	45°	583
1312	Green	45.0	20	2.2	20	45°	565
1315	Red	45.0	20	1.8	20	60°	645
<b>SUPER ULTRA BRIGHT</b>							
8306	Green	150.0	20	2.2	20	50°	565
8312	Yellow	700.0	20	2.0	20	50°	590
8313	Red	800.0	20	1.85	20	50°	660
<b>WHITE</b>							
1331	White	1600	20	3.3	20	34°	N/A



3mm Panel Mount LED Assemblies

## Package Dimensions



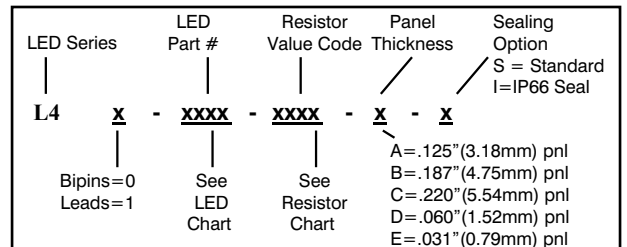
All dimensions are in inches (mm)

## Resistor Chart

OPERATING SPECIFICATIONS				
Resistor Value Code	Voltage	Current (mA)	Resistor Value (Ohms) Green, Yellow Red, Bicolor LED	Resistor Value (Ohms) Blue, White LED
0000	2	10 or 20	None	Not Available
9900	5	10		
9928	5	10		121
9901	12	10	1000	
9902	12	10		715
9903	24	10	2210	
9904	24	10		1910
9905	28	10	2610	
9906	28	10		2320
9907	5	20	150	
9922	5	20		65
9908	12	20	511	
9909	12	20		357
9910	24	20	1100	
9911	24	20		953
9912	48	9	4870	
9913	48	9		4350
9914	60	7	8250	
9915	60	7		7500
9920	120VAC	8	6490	Contact WLI

Note: Bi-Color not available in AC voltages

## How To Order



## Special Features

- Front mounting, snap-in LED - no mounting hardware required
- Optional resistor in lead
- Fits panel thicknesses from .031" (.787 mm) to .062" (1.574 mm)
- Can be customized for AC applications
- Custom wire and connector options

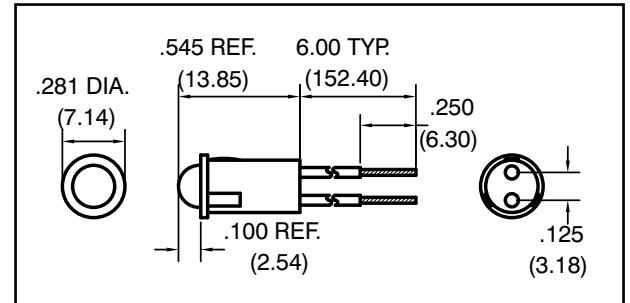
## Specifications

- Mounting hole: .250" ± .001" (6.35 ± .03 mm)
- Termination: 22 AWG UL1061 6.0" (152.4 mm) gray (anode) and black (cathode) leads stripped to .250" (6.35 mm) standard or LED pins
- Housing: Black PP



5mm Panel Mount LED Assemblies

## Package Dimensions



All dimensions are in inches (mm)

## Electrical and Optical Characteristics (TA = 25°C)

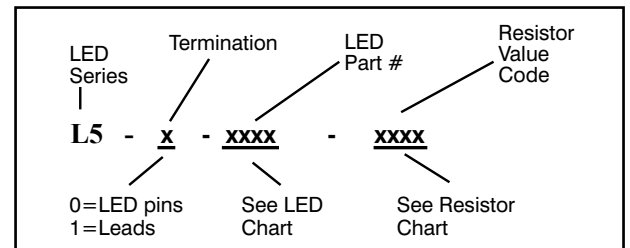
LED Part #	Color	Luminous Intensity (mcd) Typ. @ I <sub>f</sub> (mA)	V <sub>f</sub> Typ. @ I <sub>f</sub> (mA)	Viewing Angle 2θ 1/2	Peak Wavelength (nm)		
<b>HIGH EFFICIENCY</b>							
9102	Red	5.6	10	2.0	20	60°	635
9103	Green	5.6	10	2.2	20	60°	565
9104	Yellow	5.6	10	2.1	20	60°	585
9105	Orange	5.6	10	2.0	20	60°	630
<b>5 V INTERNAL RESISTOR</b>							
9124	Red	16.0	12	5.0	10	60°	625
9125	Yellow	16.0	12	5.0	10	50°	590
9126	Green	16.0	12	5.0	10	50°	565
<b>BICOLOR</b>							
9109	Red	38.0	20	2.0	20	60°	660
	Green	13.0	20	2.2	20		585
9128	Yellow	10.0	20	2.1	20	60°	590
	Green	25.0	20	2.2	20		565
<b>ULTRA BRIGHT - DAYLIGHT READABLE</b>							
9134	Green	148.0	20	2.1	20	60°	574
9135	Blue	198.0	20	3.3	20	60°	468
9136	Red	447.0	20	2.5	20	60°	650
9137	Yellow	397.0	20	2.0	20	60°	590
<b>BLINKING (Operates at 3.5V to 14V, blinking frequency from 3.0Hz to 1.5Hz)</b>							
4001	Red	248.0	22	5.0	22	60°	660
<b>LOW CURRENT (Use -0001 for resistor code)</b>							
9121	Red	2.0	2	1.7	2	60°	625
9122	Yellow	2.0	2	1.85	2	60°	590
9123	Green	2.0	2	1.9	2	60°	565
<b>BLUE</b>							
9135	Blue	198.0	20	3.3	20	60°	468

## Resistor Chart

OPERATING SPECIFICATIONS				
Resistor Value Code	Voltage	Current (mA)	Resistor Value (Ohms) Green, Yellow Red, Bicolor LED	Resistor Value (Ohms) Blue, White LED
0000	2	10 or 20	None	Not Available
9900	5	10	332	
9928	5	10		121
9901	12	10	1000	
9902	12	10		715
9903	24	10	2210	
9904	24	10		1910
9905	28	10	2610	
9906	28	10		2320
9907	5	20	150	
9922	5	20		65
9908	12	20	511	
9909	12	20		357
9910	24	20	1100	
9911	24	20		953
9912	48	9	4870	
9913	48	9		4530
9914	60	7	8250	
9915	60	7		7500
9920	120VAC	8	6490	Contact WLI

Note: Bi-Color not available in AC voltages

## How To Order



## Special Features

- Rear mounting, friction fit – no mounting hardware required
- Custom housing lengths and lead lengths available
- Optional internal resistor – can be customized for AC applications
- Sealed against moisture and dust – IP66 sealing available
- Available for panel thickness .062" (1.58 mm), .125" (3.18 mm), and .187" (4.75 mm)
- Wide selection of wire sizes and types – including Mil Spec MIL-W-22759/33 wire
- Ganged LED assembly with connector built to your spec

## Specifications

- Mounting hole: .250" ± .001" (6.35 ± 0.03 mm)
- Termination: 22 AWG UL1061 6.0" (152.4 mm) gray (anode) and black (cathode) leads stripped .250" (6.35 mm) standard or LED pins
- Housing: Black butyrate plastic

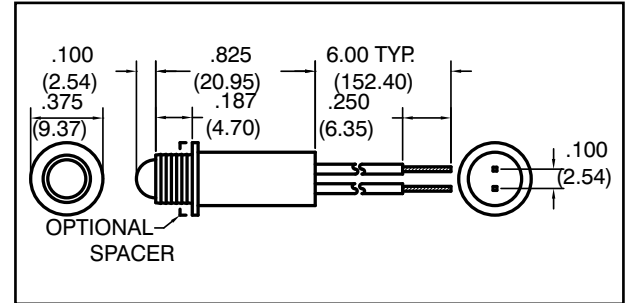
## Electrical and Optical Characteristics (TA = 25°C)

LED Part #	Color	Luminous Intensity (mcd) Typ. @ I <sub>f</sub> (mA)	V <sub>f</sub> Typ. @ I <sub>f</sub> (mA)	Viewing Angle 2θ ½	Peak Wavelength (nm)		
<b>HIGH EFFICIENCY</b>							
3008	Red	11.0	10	1.9	10	60°	635
3019	Green	14.0	10	2.1	10	60°	565
3020	Yellow	8.0	10	2.0	10	60°	583
3022	Orange	7.0	10	1.9	10	60°	600
<b>ULTRA BRIGHT - DAYLIGHT READABLE</b>							
3056	Red	400.0	20	1.9	20	30°	660
3055	Yellow	400.0	20	2.0	20	30°	590
3054	Green	1200.0	20	3.3	20	30°	515
3060	Orange	600.0	20	2.1	20	30°	610
<b>SUPER ULTRA BRIGHT</b>							
3036	Red	2800.0	20	1.85	20	20°	660
3046	Red	900.0	20	1.9	20	30°	626
3047	Green	5490.0	20	3.2	20	20°	520
3048	Amber	1300.0	20	2.02	20	30°	592
<b>BLINKING (Operates at 3.5V to 14V, blinking frequency from 3.0Hz to 1.5Hz)</b>							
4002	Red	198.0	22	5.0	22	60°	660
<b>BICOLOR (3 leaved - common cathode)</b>							
0909	Red	697.0	20	1.95	20	60°	650
	Green	198.0	20	2.1	20		574
0910	Yellow	198.0	20	2.0	20	60°	590
	Green	168.0	20	2.1	20		574
<b>TRICOLOR (4 leaved - common cathode)</b>							
3900	Red	547.0	20	1.9	20	60°	640
	Yellow	397.0	20	2.0	20	60°	590
	Green	497.0	20	3.2	20	60°	520
<b>FULL COLOR R/G/B (4 leaved - common anode)</b>							
2400	Red	2490.0	20	2.2	20	60°	640
	Green	377.0	20	3.2	20	60°	520
	Blue	1095.0	20	3.3	20	60°	461
<b>BLUE</b>							
3044	Blue	60.0	20	3.8	20	20°	430
3057	Blue	640.0	20	3.3	20	20°	468
<b>WHITE</b>							
3061	White	27000.0	20	3.2	20	15°	N/A



5mm Panel Mount LED Assemblies

## Package Dimensions



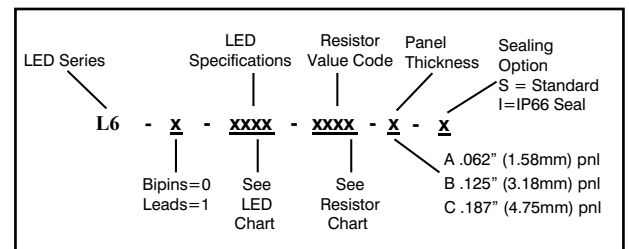
All dimensions are in inches (mm)

## Resistor Chart

OPERATING SPECIFICATIONS				
Resistor Value Code	Voltage	Current (mA)	Resistor Value (Ohms) Green, Yellow Red, Bicolor LED	Resistor Value (Ohms) Blue, White LED
0000	2	10 or 20	None	Not Available
9900	5	10	332	
9928	5	10		121
9901	12	10	1000	
9902	12	10		715
9903	24	10	2210	
9904	24	10		1910
9905	28	10	2610	
9906	28	10		2320
9907	5	20	150	
9922	5	20		65
9908	12	20	511	
9909	12	20		357
9910	24	20	1100	
9911	24	20		953
9912	48	9	4870	
9913	48	9		4350
9914	60	7	8250	
9915	60	7		7500
9920	120VAC	8	6490	Contact WLI

Note: Bi-Color and Tri-Color not available in AC voltages

## How To Order



## Special Features

- One piece body and lens construction – available in red, green, blue, amber and clear butyrate plastic
- Front mounting ribbed body “snaps into panel”– no mounting hardware required
- Available in smooth body for thinner panels – mounts with tinnerman nut
- Optional internal resistor- can be customized for AC applications
- Wide selection of wire sizes and types – including Mil Spec MIL-W-22759/33 wire
- Sealed against moisture and dust to meet IP66

## Specifications

- Mounting hole:  $.187" \pm .001"$  ( $4.75 \pm .03$  mm)
- Termination: 26 AWG UL1061 6.0" (152.4mm) red (anode) and black (cathode) leads stripped to  $.250"$  (6.35 mm) standard or LED pins
- Housing: Butyrate plastic

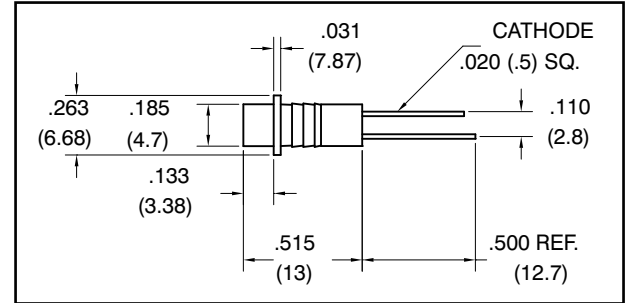
## Electrical and Optical Characteristics (TA = 25°C)

LED Part #	Color	Luminous Intensity (mcd) Typ. @ I <sub>F</sub> (mA)		V <sub>F</sub> Typ. @ I <sub>F</sub> (mA)		Viewing Angle 2θ ½	Peak Wavelength (nm)
<b>HIGH EFFICIENCY</b>							
1300	Yellow	6.0	10	2.0	10	60°	583
1301	Red	5.5	10	1.9	10	60°	635
1302	Green	5.0	10	2.1	10	60°	565
1313	Orange	5.5	10	1.9	10	60°	600
<b>LOW CURRENT (Use -0001 for resistor code)</b>							
1303	Red	2.1	2	1.7	2	50°	635
1304	Yellow	2.1	2	1.8	2	50°	583
1305	Green	2.3	2	1.9	2	50°	565
<b>BICOLOR (2 leaded)</b>							
8901	Red	20.0	20	2.0	20	60°	627
	Green	16.0	20	2.2	20		565
8903	Yellow	7.0	20	2.1	20	60°	590
	Green	16.0	20	2.2	20		565
<b>BLUE</b>							
8310	Blue	1100	20	3.3	20	30°	468
<b>ULTRA BRIGHT</b>							
1310	Red	55.0	20	1.9	20	45°	635
1311	Yellow	45.0	20	2.1	20	45°	583
1312	Green	45.0	20	2.2	20	45°	565
1315	Red	45.0	20	1.8	20	60°	645
<b>SUPER ULTRA BRIGHT</b>							
8306	Green	150.0	20	2.2	20	50°	565
8312	Yellow	700.0	20	2.0	20	50°	590
8313	Red	800.0	20	1.85	20	50°	660
<b>WHITE</b>							
1331	White	1600	20	3.3	20	34°	N/A



3mm Panel Mount LED Assemblies

## Package Dimensions



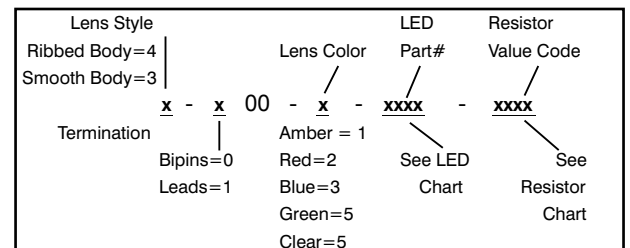
All dimensions are in inches (mm)

## Resistor Chart

OPERATING SPECIFICATIONS				
Resistor Value Code	Voltage	Current (mA)	Resistor Value (Ohms) Green, Yellow, Red, Bicolor LED	Resistor Value (Ohms) Blue, White LED
0000	2	10 or 20	None	Not Available
9900	5	10	332	
9928	5	10		121
9901	12	10	1000	
9902	12	10		715
9903	24	10	2210	
9904	24	10		1910
9905	28	10	2610	
9906	28	10		2320
9907	5	20	150	
9922	5	20		65
9908	12	20	511	
9909	12	20		357
9910	24	20	1100	
9911	24	20		953
9912	48	9	4870	
9913	48	9		4350
9914	60	7	8250	
9915	60	7		7500
9920	120VAC	8	6490	Contact WLI

Note: Bi-Color not available in AC voltages

## How To Order



## Special Features

- Special part marking available – polarity identification is standard
- Optional internal resistor – can be customized for AC applications
- Choice of body finishes and termination style
- Front mounts with barrel fastener
- Jewelled transparent stovepipe lens provides wide viewing angle

## Specifications

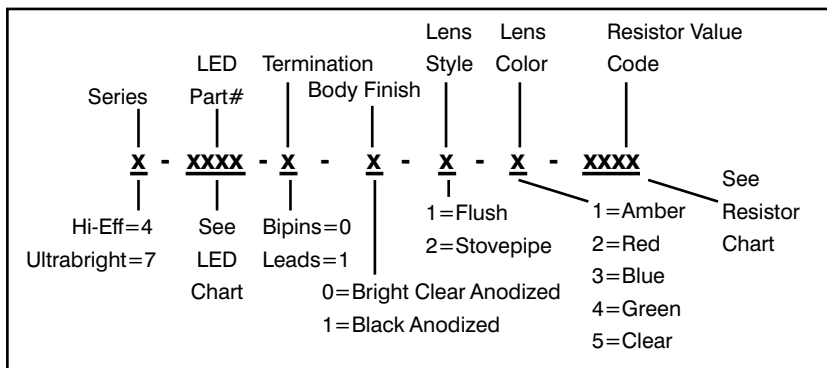
- Mounting hole:  $.297" \pm .002"$  ( $7.54 \pm .05$  mm)
- Termination: 22 AWG UL1061 4.0" (101.6 mm) gray (anode) and black (cathode) leads stripped to  $.250"$  (6.35 mm) standard or bipins (gold plated brass)
- Housing Aluminum body available in bright clear or black anodized finish – internally insulated
- Lens: Butyrate plastic

## Electrical and Optical Characteristics (TA = 25°C)

LED Part #	Color	Luminous Intensity (mcd) Typ. @ I <sub>f</sub> (mA)	V <sub>f</sub> Typ. @ I <sub>f</sub> (mA)	Viewing Angle 2 θ ½	Peak Wavelength (nm)		
<b>HIGH EFFICIENCY</b>							
4906	Red	20.0	10	2.0	20	60°	627
4907	Green	12.0	10	2.2	20	60°	565
4908	Yellow	6.0	10	2.1	20	60°	583
<b>ULTRA BRIGHT</b>							
4909	Red	50.0	10	2.0	20	30°	627
4910	Green	40.0	10	2.2	20	30°	565
4911	Yellow	35.0	10	2.1	20	30°	590
3044	Blue	60.0	20	3.8	20	20°	430
<b>BLINKING (Operates at 3.5V to 12V, blinking frequency from 3.0Hz to 1.5Hz)</b>							
4002	Red	198.0	22	5.0	22	60°	660
<b>BICOLOR (3 leaded-common cathode)</b>							
0909	Red	697.0	20	1.95	20	60°	650
	Green	198.0	20	2.1	20		574
0910	Yellow	198.0	20	2.0	20	60°	590
	Green	168.0	20	2.1	20		574
<b>WHITE</b>							
3061	White	27000.0	20	3.2	20	15°	N/A

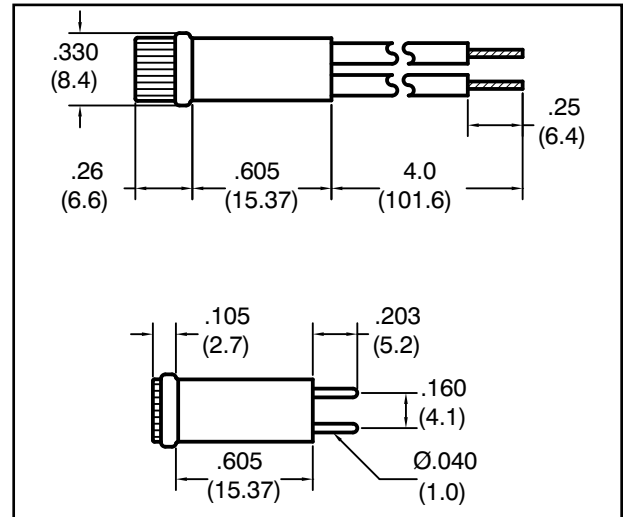
Note: 3 leaded bicolor available as leaded assembly only

## How To Order



5mm Panel Mount LED Assemblies

## Package Dimensions



All dimensions are in inches (mm)

## Resistor Chart

OPERATING SPECIFICATIONS				
Resistor Value Code	Voltage	Current (mA)	Resistor Value (Ohms) Green, Yellow Red, Bicolor LED	Resistor Value (Ohms) Blue, White LED
0000	2	10 or 20	None	Not Available
9900	5	10	332	
9928	5	10		121
9901	12	10	1000	
9902	12	10		715
9903	24	10	2210	
9904	24	10		1910
9905	28	10	2610	
9906	28	10		2320
9907	5	20	150	
9922	5	20		65
9908	12	20	511	
9909	12	20		357
9910	24	20	1100	
9911	24	20		953
9912	48	9	4870	
9913	48	9		4350
9914	60	7	8250	
9915	60	7		7500
9920	120VAC	8	6490	Contact WLI

Note: Bi-Color and Tri-Color not available in AC voltages



5mm Panel Mount LED Assemblies

## Special Features

- Simplified one piece lens and body-mounts with tinnerman nut
- Sealed against moisture and dust to IP66
- Optional internal resistor – can be customized for AC applications
- Part marking and connector options
- Custom wire options – including MilSpec MIL-W-22759/33 wire

## Specifications

- Mounting hole: .312" +.003"/-.001" (7.93 +.08/-.03 mm). With nickel steel bezel .500" ± .002" (12.7 ± .05 mm)
- Termination: 22AWG UL1061 6.0" (152.4 mm) gray (anode) and black (cathode) leads stripped .250" (6.35 mm) standard or bipins (gold plated brass)
- Housing: Butyrate plastic

## Electrical and Optical Characteristics (TA = 25°C)

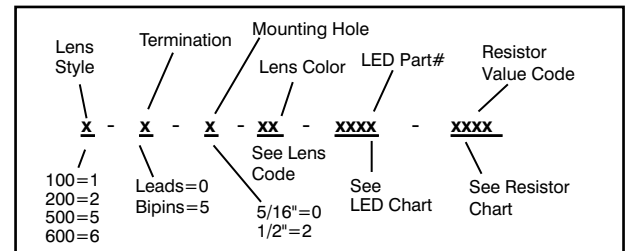
LED Part #	Color	Luminous Intensity (mcd) Typ. @ I <sub>F</sub> (mA)	V <sub>F</sub> Typ. @ I <sub>F</sub> (mA)	Viewing Angle 2 θ ½	Peak Wavelength (nm)		
<b>HIGH EFFICIENCY</b>							
3008	Red	11.0	10	1.9	10	60°	635
3019	Green	14.0	10	2.1	10	60°	565
3020	Yellow	8.0	10	2.0	10	60°	583
3022	Orange	7.0	10	1.9	10	60°	600
<b>ULTRA BRIGHT - DAYLIGHT READABLE</b>							
3056	Red	400.0	20	1.9	20	30°	660
3055	Yellow	400.0	20	2.0	20	30°	590
3054	Green	300.0	20	3.2	20	30°	520
3060	Orange	600.0	20	2.1	20	30°	610
<b>SUPER ULTRA BRIGHT</b>							
3036	Red	2800.0	20	1.85	20	20°	660
3046	Red	900.0	20	1.9	20	30°	626
3047	Green	5490.0	20	3.2	20	20°	520
3048	Amber	1300.0	20	2.02	20	30°	592
<b>BICOLOR (3 leaved - common cathode)</b>							
0909	Red	697.0	20	1.95	20	60°	650
	Green	198.0	20	2.1	20		574
0910	Yellow	198.0	20	2.0	20	60°	590
	Green	168.0	20	2.1	20		574
<b>BLUE</b>							
3044	Blue	60.0	20	3.8	20	20°	430
3057	Blue	640.0	20	3.3	20	20°	468
<b>WHITE</b>							
3061	White	27000.0	20	3.2	20	15°	N/A

## Resistor Chart

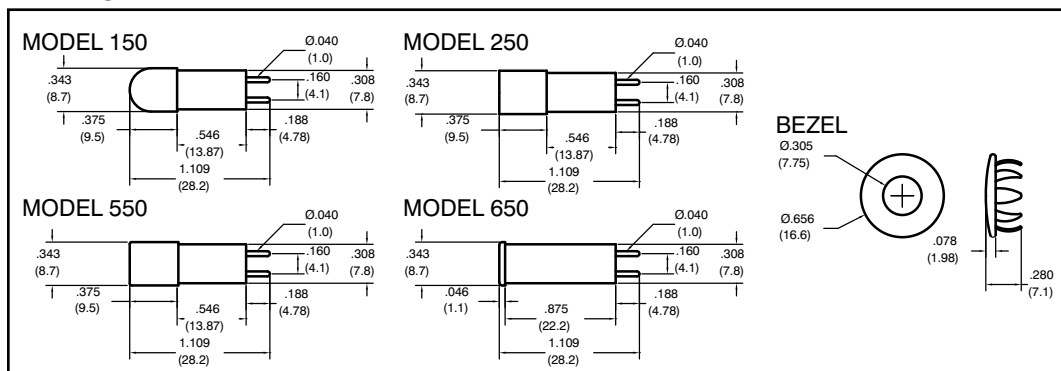
OPERATING SPECIFICATIONS				
Resistor Value Code	Voltage	Current (mA)	Resistor Value (Ohms) Green, Yellow Red, Bicolor LED	Resistor Value (Ohms) Blue, White LED
0000	2	10 or 20	None	Not Available
9900	5	10	332	
9928	5	10		121
9901	12	10	1000	
9902	12	10		715
9903	24	10	2210	
9904	24	10		1910
9905	28	10	2610	
9906	28	10		2320
9907	5	20	150	
9922	5	20		65
9908	12	20	511	
9909	12	20		357
9910	24	20	1100	
9911	24	20		953
9912	48	9	4870	
9913	48	9		4530
9914	60	7	8250	
9915	60	7		7500
9920	120VAC	8	6490	Contact WLI

Note: Bi-Color and Tri-Color not available in AC Voltages

## How To Order



## Package Dimensions



All dimensions are in inches (mm)

Lens Color Code	
1T=Transparent Amber	1J=Jewelled Amber
2T=Transparent Red	2J=Jewelled Red
3T=Transparent Blue	3J=Jewelled Blue
4T=Transparent Green	4J=Jewelled Green
5T=Transparent Clear	5J=Jewelled Clear

## Special Features

- One piece body and lens construction – available in red, green, amber, clear, blue, yellow and white transparent or translucent butyrate plastic
- Front mounting ribbed body “snaps into panel” – no mounting hardware required
- Available in smooth body for thinner panels – mounts with tinnerman nut
- Sealed against moisture and dust to meet IP66
- Part marking available

## Specifications

- Mounting hole: .187” ± .001” (4.75 ± .03mm)
- Termination: 26AWG 6.0” (152.4 mm) solid insulated wire leads or bipin
- Housing: Butyrate plastic



Panel Mount Incandescent/Neon Indicators

Lens Color Code	
1=Transparent Amber	6=Translucent Yellow <sup>1</sup>
2=Transparent Red	7=Translucent Red <sup>1</sup>
3=Transparent Blue*	8=Translucent Blue* <sup>1</sup>
4=Transparent Green*	9=Translucent Green* <sup>1</sup>
5=Transparent Clear	10=Translucent White <sup>1</sup>

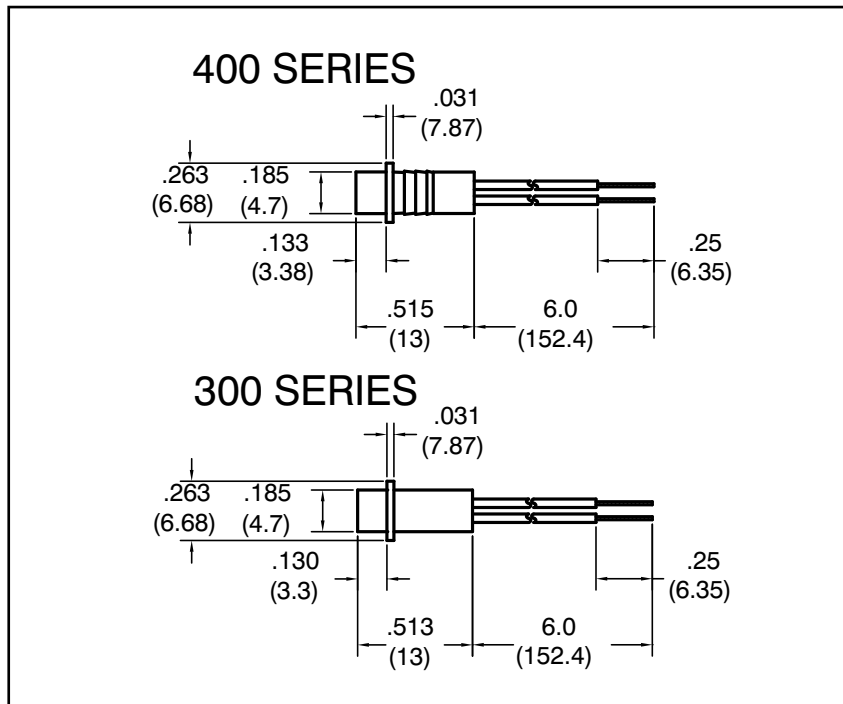
Note: \* Blue and green lenses not recommended for use with standard neon lamp  
<sup>1</sup>Translucent lenses not recommended for use with neon bulbs

## Electrical and Optical Characteristics

Incandescent Lamps				
Lamp Type	Voltage	Amps	MSCP (Nominal)	Life Hours (Average)
HM605	5.0	0.021	0.034	10,000
HM609	5.0	0.115	0.150	40,000
HM619	5.0	0.060	0.150	100,000
HM628	12.0	0.060	0.150	16,000
HM630	14.0	0.065	0.150	16,000
HM631	18.0	0.026	0.150	16,000
HM642	28.0	0.024	0.150	16,000

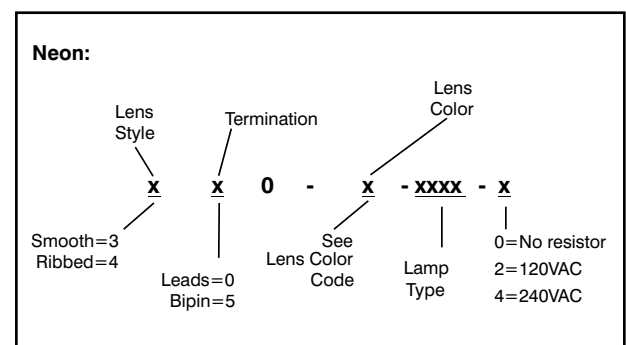
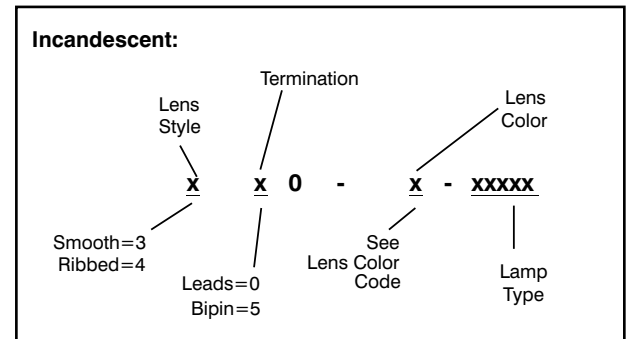
Neon Lamps							
Lamp Type	Circuit Voltage	Starting Voltage (Max)		Current mA	Series Resistor		Life Hours (Average)
		AC	DC		115V	220V	
0800	90-115/220	65	90	0.3	150KΩ	360KΩ	15,000
0801	90-115/220	95	135	1.0	47KΩ	120KΩ	15,000

## Package Dimensions



All dimensions are in inches (mm)

## How To Order







Panel Mount Incandescent/Neon Indicators

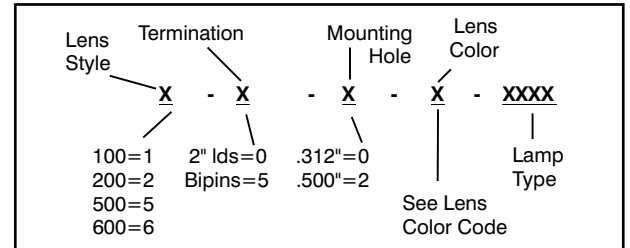
## Special Features

- Simplified one piece lens and body- mounts with tinnerman nut or nickel steel bezel
- Sealed against moisture and dust to meet IP66
- Custom part marking and wire options

## Specifications

- Mounting hole:  $.312" \pm .003"/-.001"$  (7.93  $\pm$  .08/-.03 mm)
  - With nickel steel bezel  $.500" \pm .002"$  (12.7  $\pm$  .05 mm)
- Termination: 22AWG UL1015 2.0" (50.8 mm) leads or bipins (gold plated brass)
- Housing: Butyrate plastic- transparent or translucent

## How To Order



## Electrical and Optical Characteristics

Incandescent Lamps			
Lamp Type	Voltage	Amps	Life Hours
H519	2.5	.200	500
M521	6.0	.200	1,000
M522	3.0	.015	10,000
H524	6.3	.200	3,000
M525	6.3	.040	50,000
M526	6.3	.075	500
M527	6.0	.040	10,000
H529	6.3	.200	50,000
H533	14.0	.080	2,500
H538	14.0	.080	50,000
M540	12.0	.040	10,000
M542	18.0	.040	10,000
HM550	28.0	.040	4,000
HM553	28.0	.040	25,000
M555	28.0	.040	50,000
M801	10.0	.014	50,000
M802	10.0	.040	30,000

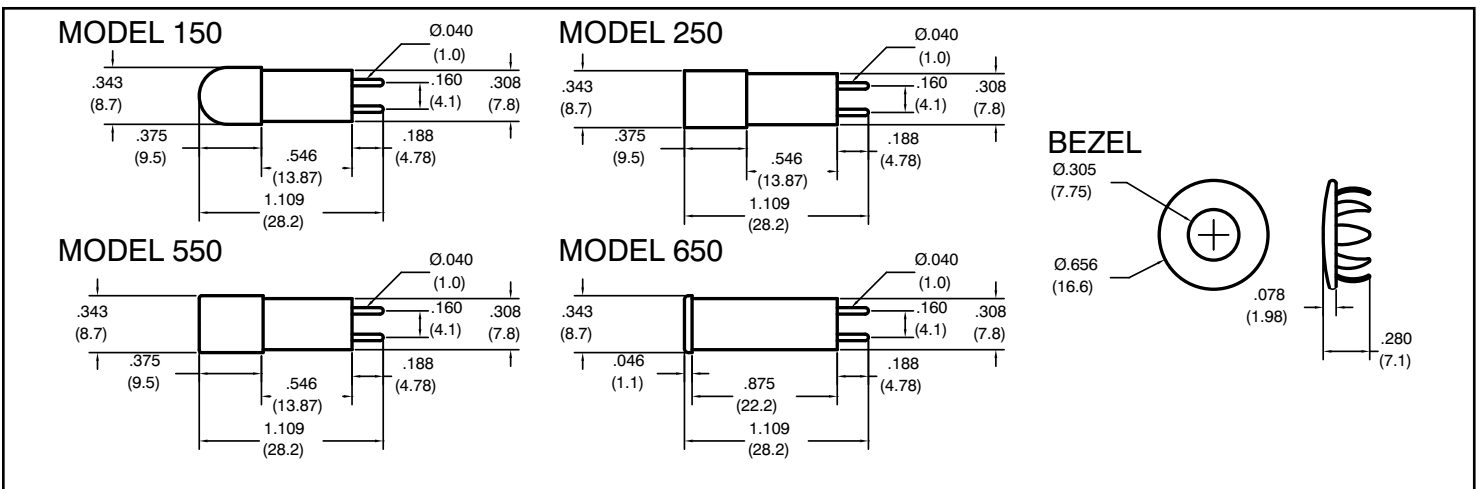
Lens Color Code	
1 = Transparent Amber	6 = Translucent Yellow <sup>1</sup>
2 = Transparent Red	7 = Translucent Red <sup>1</sup>
3 = Transparent Blue*	8 = Translucent Blue* <sup>1</sup>
4 = Transparent Green*	9 = Translucent Green* <sup>1</sup>
5 = Transparent Clear	10 = Translucent White <sup>1</sup>

Note: \* Blue and green lenses not recommended for use with standard neon lamp  
<sup>1</sup>Translucent lenses for incandescents only

Neon Lamps						
Lamp Type	Max Breakdown Voltage		Voltage	Watts	Life Hours	Internal Resistor Attached
	AC	DC				
<b>High Brightness – Dark Starting</b>						
1204(C2A)	45	135	120	1/4	25,000	None *
1211(RC2X)	45	135	120	1/4	25,000	47K
<b>Standard Brightness – Not recommended with Translucent Lens</b>						
1202(A9A)	65	90	120	1/15	25,000	None *
1201(RA9X)	65	90	240	1/15	25,000	100K

\* Note: Neon assemblies without resistor attached require a current limiting device in the circuit  
Green neon lamps also available for use with green lenses

## Package Dimensions



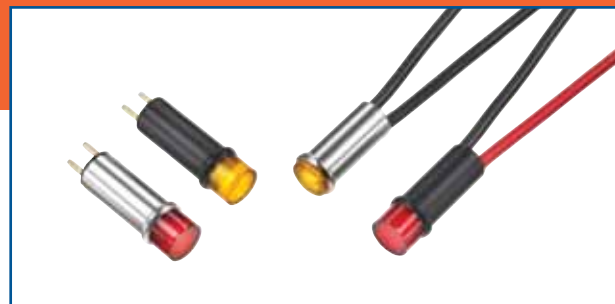
All dimensions are in inches (mm)

## Special Features

- Available in two lens styles – flush and stovepipe
- Choice of body finishes and termination style
- Front mounts with barrel fastener
- Special part marking available

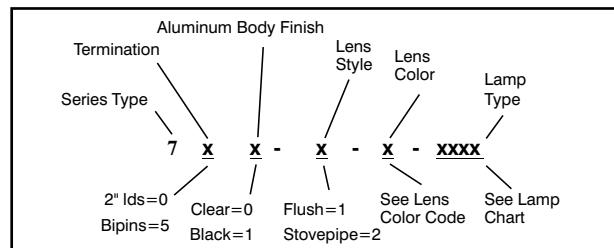
## Specifications

- Mounting hole: .297" ± .002" (7.54 ± .05 mm)
- Termination: 22AWG UL1015 2.0" (50.8 mm) leads or bipins (gold plated brass)
- Housing: Aluminum body available in bright clear or black anodized finish – internally insulated
- Lens: Butyrate plastic



Panel Mount Incandescent/Neon Indicators

## How To Order



## Electrical and Optical Characteristics

Incandescent Lamps			
Lamp Type	Voltage	Amps	Life Hours
H519	2.5	.200	500
M521	6.0	.200	1,000
M522	3.0	.015	10,000
H524	6.3	.200	3,000
M525	6.3	.040	50,000
M526	6.3	.075	500
M527	6.0	.040	10,000
H529	6.3	.200	50,000
H533	14.0	.080	2,500
H538	14.0	.080	50,000
M540	12.0	.040	10,000
M542	18.0	.040	10,000
HM550	28.0	.040	4,000
HM553	28.0	.040	25,000
M555	28.0	.040	50,000
M801	10.0	.014	50,000
M802	10.0	.040	30,000

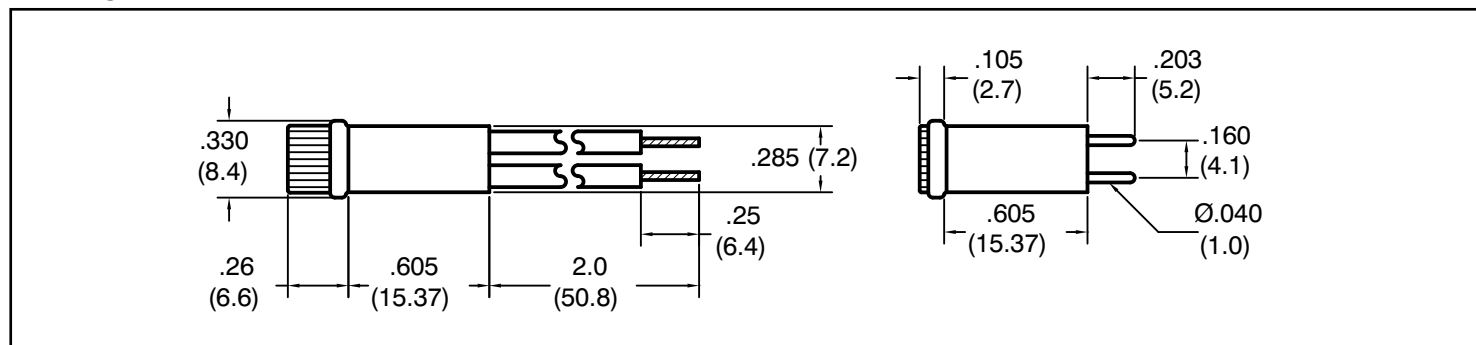
Lens Color Code	
1=Transparent Amber	6=Translucent Yellow <sup>1</sup>
2=Transparent Red	7=Translucent Red <sup>1</sup>
3=Transparent Blue*	8=Translucent Blue* <sup>1</sup>
4=Transparent Green*	9=Translucent Green* <sup>1</sup>
5=Transparent Clear	10=Translucent White <sup>1</sup>

Note: \* Blue and green lenses not recommended for use with standard neon lamp  
<sup>1</sup>Translucent lenses for incandescents only  
 Neons not available in 750-1 or 751-1 configuration

Neon Lamps						
Lamp Type	Max Breakdown Voltage		Voltage	Watts	Life Hours	Internal Resistor Attached
	AC	DC				
<b>High Brightness – Dark Starting</b>						
1204(C2A)	45	135	120	1/4	25,000	None *
1211(RC2X)	45	135	120	1/4	25,000	47K
<b>Standard Brightness – Not recommended with Translucent Lens</b>						
1202(A9A)	65	90	120	1/15	25,000	None *
1201(RA9X)	65	90	240	1/15	25,000	100K

\* Note: Neon assemblies without resistor attached require a current limiting device in the circuit  
 Green neon lamps also available for use with green lenses

## Package Dimensions



All dimensions are in inches (mm)

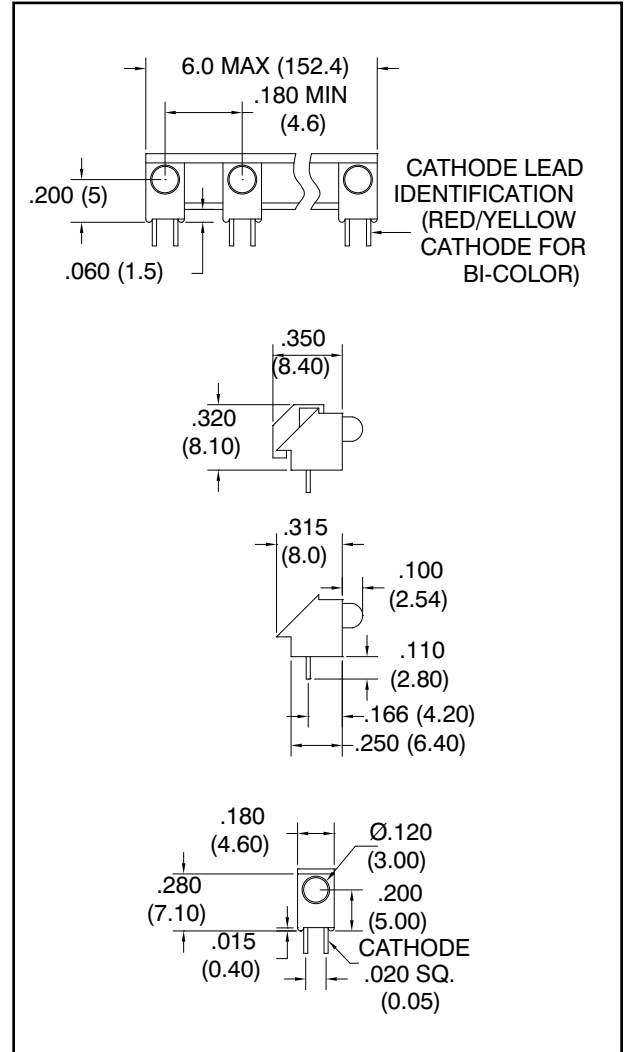
## Special Features

\*Patented

- Customized to your specifications without tooling charges
  - Variable LED spacing, minimum .180" (4.57 mm)
  - Maximum bar length 6.0" (152.4 mm)
- Available with 2 to 33 T1 LEDs in one convenient assembly
- Bar provides consistent alignment for multiple LED mounting
- Wave solderable and chemically cleanable
- Housing and bar material UL 94V-O rated

3mm PC Board Mount LED

## Package Dimensions



All dimensions are in inches (mm)  
Standard polarity shown in drawing: Cathode right

## Electrical and Optical Characteristics (TA = 25°C)

LED Part #	Color	Luminous Intensity (mcd) Typ. @ I <sub>f</sub> (mA)	V <sub>f</sub> Typ. @ I <sub>f</sub> (mA)	Viewing Angle 2θ ½	Peak Wavelength (nm)		
<b>HIGH EFFICIENCY</b>							
1300	Yellow	6.0	10	2.0	10	60°	583
1301	Red	5.5	10	1.9	10	60°	635
1302	Green	5.0	10	2.1	10	60°	565
1313	Orange	5.5	10	1.9	10	60°	600
<b>LOW CURRENT</b>							
1303	Red	2.1	2	1.7	2	50°	635
1304	Yellow	2.1	2	1.8	2	50°	583
1305	Green	2.3	2	1.9	2	50°	565
<b>BICOLOR (2 leaded)</b>							
8901	Red	20.0	20	2.0	20	60°	627
	Green	16.0	20	2.2	20		565
8903	Yellow	7.0	20	2.1	20	60°	590
	Green	16.0	20	2.2	20		565
<b>BLUE</b>							
8310	Blue	1100	20	3.3	20	30°	468
<b>ULTRA BRIGHT</b>							
1310	Red	55.0	20	1.9	20	45°	635
1311	Yellow	45.0	20	2.1	20	45°	583
1312	Green	45.0	20	2.2	20	45°	565
1315	Red	45.0	20	1.8	20	60°	645
<b>SUPER ULTRA BRIGHT</b>							
8306	Green	150.0	20	2.2	20	50°	565
8312	Yellow	700.0	20	2.0	20	50°	590
8313	Red	800.0	20	1.85	20	50°	660
<b>WHITE</b>							
1331	White	1600	20	3.3	20	34°	N/A

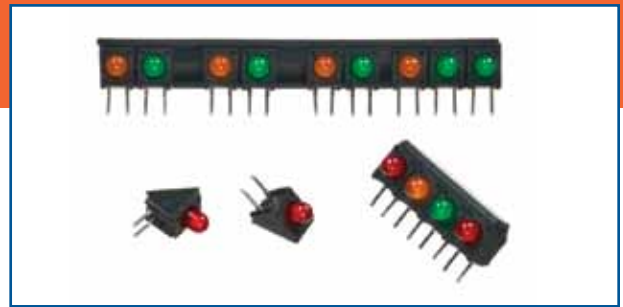
## How To Order

<p><b>Individual RA LEDs</b></p> <p>RA    <b>x</b>    -    <b>xxxx</b></p> <p>LED Color Red=R Yellow=Y Green=G Orange=O Blue=L Bicolor=B White=W</p> <p>See LED Part #</p>	<p><b>Multiple RA LEDs on a Bar</b></p> <p><b>x</b>    RA    <b>x</b>    -    <b>xxxx</b>    -    <b>xxx</b></p> <p># of LEDs Per Bar    LED Color R=Red Y=Yellow G=Green O=Orange L=Blue B=Bicolor W=White M=Multiple</p> <p>LED Part# (Use MCOO for multiple colors)</p> <p>Center to Center Spacing of LEDs in inches (If spacing varies use SPL)</p>
--	--

## Special Features

\*Patented

- Customized to your specifications without tooling charges
  - Variable LED spacing, minimum .180” (4.57 mm)
  - Maximum bar length 6.0” (152.4 mm)
- Available with 2 to 33 T1 LEDs in one convenient assembly
- Bar provides consistent alignment for multiple LED mounting
- Wave solderable and chemically cleanable
- Housing and bar material UL 94V-O rated

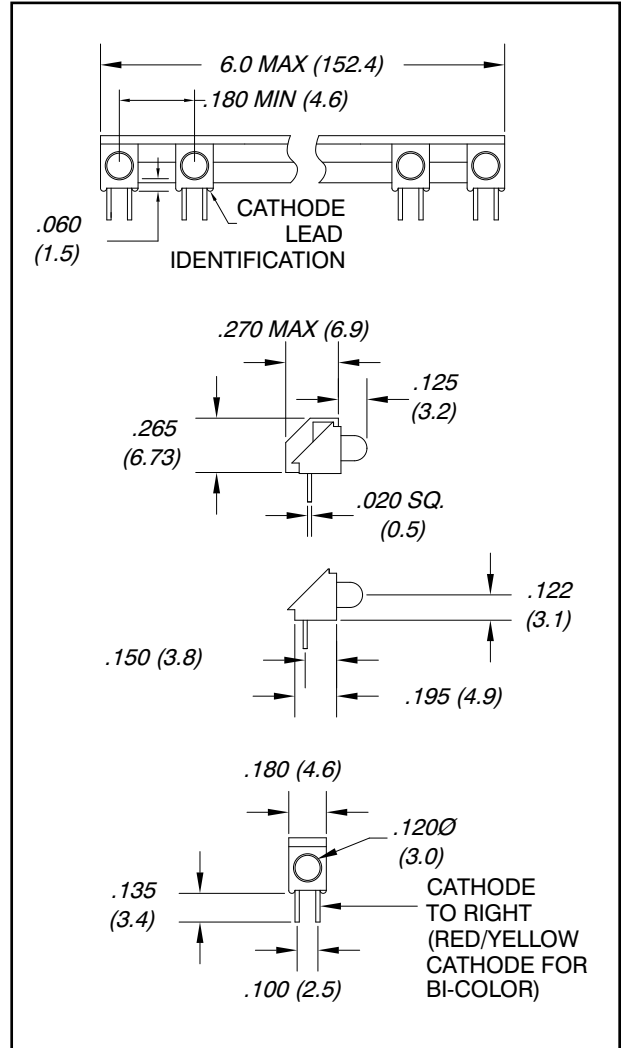


3mm PC Board Mount LEDs

## Electrical and Optical Characteristics (TA = 25°C)

LED Part #	Color	Luminous Intensity (mcd) Typ. @ I <sub>F</sub> (mA)	V <sub>F</sub> Typ. @ I <sub>F</sub> (mA)	Viewing Angle 2θ ½	Peak Wavelength (nm)		
<b>HIGH EFFICIENCY</b>							
1300	Yellow	6.0	10	2.0	10	60°	583
1301	Red	5.5	10	1.9	10	60°	635
1302	Green	5.0	10	2.1	10	60°	565
1313	Orange	5.5	10	1.9	10	60°	600
<b>LOW CURRENT</b>							
1303	Red	2.1	2	1.7	2	50°	635
1304	Yellow	2.1	2	1.8	2	50°	583
1305	Green	2.3	2	1.9	2	50°	565
<b>BICOLOR (2 leaded)</b>							
8901	Red	20.0	20	2.0	20	60°	627
	Green	16.0	20	2.2	20		565
8903	Yellow	7.0	20	2.1	20	60°	590
	Green	16.0	20	2.2	20		565
<b>BLUE</b>							
8310	Blue	1100	20	3.3	20	30°	468
<b>ULTRA BRIGHT</b>							
1310	Red	55.0	20	1.9	20	45°	635
1311	Yellow	45.0	20	2.1	20	45°	583
1312	Green	45.0	20	2.2	20	45°	565
1315	Red	45.0	20	1.8	20	60°	645
<b>SUPER ULTRA BRIGHT</b>							
8306	Green	150.0	20	2.2	20	50°	565
8312	Yellow	700.0	20	2.0	20	50°	590
8313	Red	800.0	20	1.85	20	50°	660
<b>WHITE</b>							
1331	White	1600	20	3.3	20	34°	N/A

## Package Dimensions



All dimensions are in inches (mm)  
Standard polarity shown in drawing: Cathode right

## How To Order

Individual RA LEDs				Multiple RA LEDs on a Bar			
RA	X	-	XXXX - 3000	X	RA	X	- XXXX - XXX - 3000
LED Color			See LED Part #	# of LEDs Per Bar	LED Color		LED Part# (Use MCOO for multiple colors)
Red=R					R=Red		Center to Center Spacing of LEDs in inches (If spacing varies use SPL)
Yellow=Y					Y=Yellow		
Green=G					G=Green		
Orange=O					O=Orange		
Blue=L					L=Blue		
Bicolor=B					B=Bicolor		
White=W					W=White		
					M=Multiple		

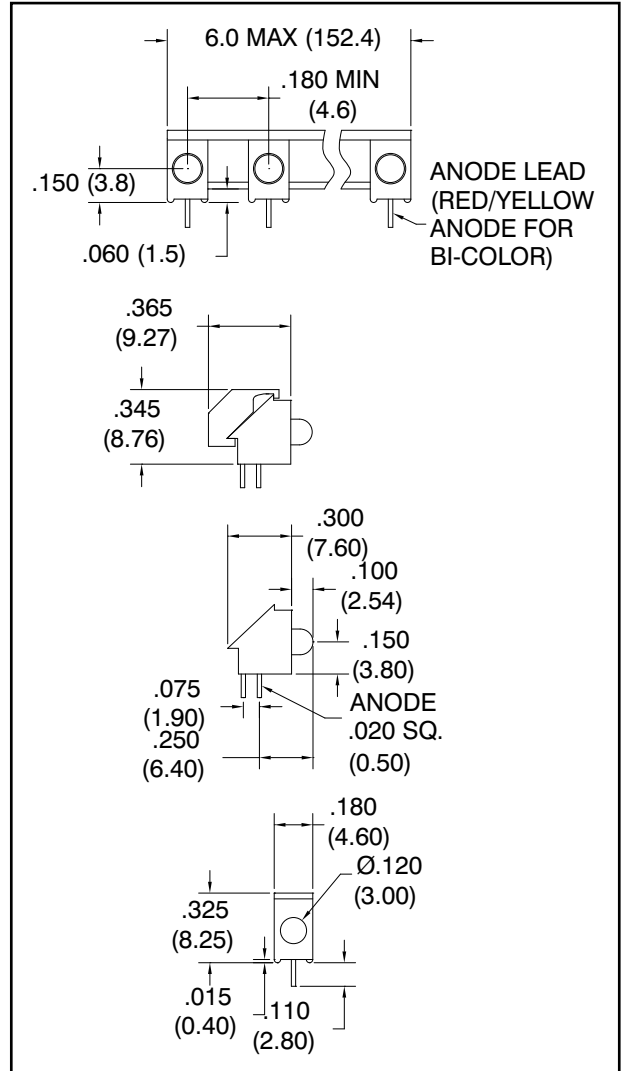
## Special Features

\*Patented

- Customized to your specifications without tooling charges
  - Variable LED spacing, minimum .180” (4.57 mm)
  - Maximum bar length 6.0” (152.4 mm)
- Available with 2 to 33 T1 LEDs in one convenient assembly
- Bar provides consistent alignment for multiple LED mounting
- Wave solderable and chemically cleanable
- Housing and bar material UL 94V-O rated

3mm PC Board Mount LEDs

## Package Dimensions



All dimensions are in inches (mm)  
Standard polarity shown in drawing: Cathode to back

## Electrical and Optical Characteristics (TA = 25°C)

LED Part #	Color	Luminous Intensity (mcd) Typ. @ I <sub>f</sub> (mA)	V <sub>f</sub> Typ. @ I <sub>f</sub> (mA)	Viewing Angle 2 θ ½	Peak Wavelength (nm)		
<b>HIGH EFFICIENCY</b>							
1300	Yellow	6.0	10	2.0	10	60°	583
1301	Red	5.5	10	1.9	10	60°	635
1302	Green	5.0	10	2.1	10	60°	565
1313	Orange	5.5	10	1.9	10	60°	600
<b>LOW CURRENT</b>							
1303	Red	2.1	2	1.7	2	50°	635
1304	Yellow	2.1	2	1.8	2	50°	583
1305	Green	2.3	2	1.9	2	50°	565
<b>BICOLOR (2 leaded)</b>							
8901	Red	20.0	20	2.0	20	60°	627
	Green	16.0	20	2.2	20		565
8903	Yellow	7.0	20	2.1	20	60°	590
	Green	16.0	20	2.2	20		565
<b>BLUE</b>							
8310	Blue	1100	20	3.3	20	30°	468
<b>ULTRA BRIGHT</b>							
1310	Red	55.0	20	1.9	20	45°	635
1311	Yellow	45.0	20	2.1	20	45°	583
1312	Green	45.0	20	2.2	20	45°	565
1315	Red	45.0	20	1.8	20	60°	645
<b>SUPER ULTRA BRIGHT</b>							
8306	Green	150.0	20	2.2	20	50°	565
8312	Yellow	700.0	20	2.0	20	50°	590
8313	Red	800.0	20	1.85	20	50°	660
<b>WHITE</b>							
1331	White	1600	20	3.3	20	34°	N/A

## How To Order

**Individual RA LEDs**

RA X - XXXX - 7400

LED Color: Red=R, Yellow=Y, Green=G, Orange=O, Blue=L, Bicolor=B, White=W

See LED Part #

**Multiple RA LEDs on a Bar**

RA X - XXXX - XXX - 7400

# of LEDs Per Bar: X

LED Color: R=Red, Y=Yellow, G=Green, O=Orange, L=Blue, B=Bicolor, W=White, M=Multiple

LED Part# (Use MCOO for multiple colors)

Center to Center Spacing of LEDs in inches (If spacing varies use SPL)

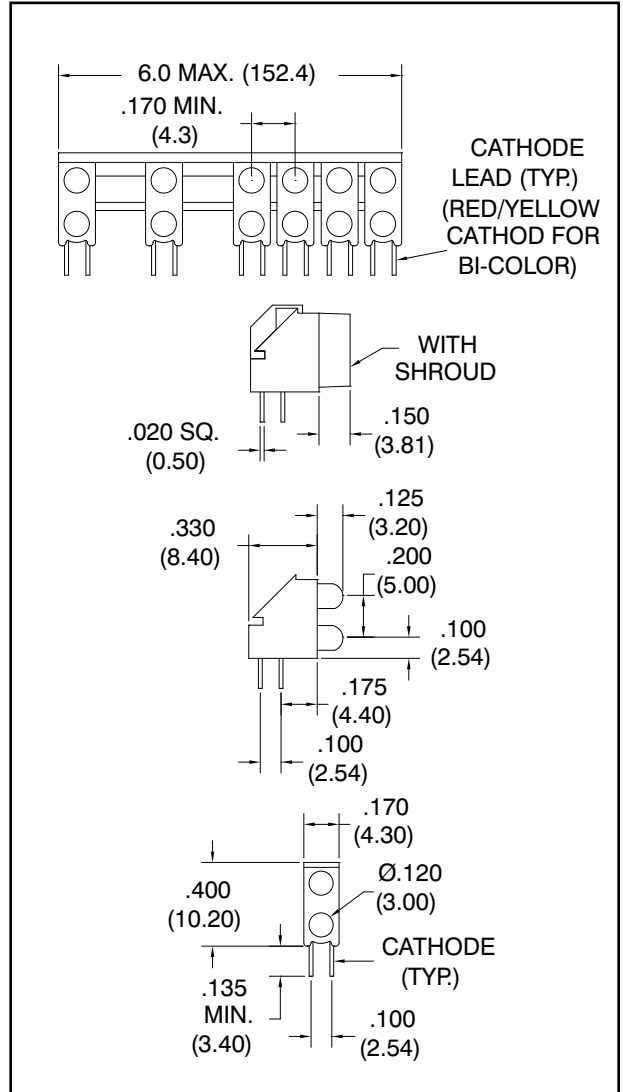
## Special Features

\*Patented

- Customized to your specifications without tooling charges
  - Variable LED spacing .170" (4.32mm)
  - Maximum bar length 6.0" (152.4 mm)
- Available with 2 to 33 bilevel T1 LEDs in one assembly
- Bar provides consistent alignment for multiple LED mounting
- Wave solderable and chemically cleanable
- Housing and bar material UL 94V-O rated
- Shrouded option for backlighting
- Bilevel design saves PC board space

3mm PC Board Mount LEDs

## Package Dimensions

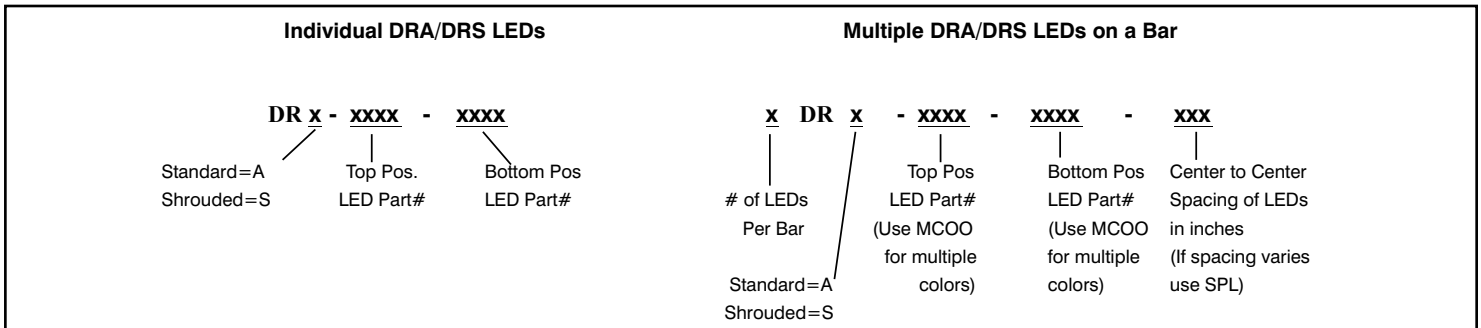


All dimensions are in inches (mm)  
Standard polarity shown in drawing: Cathode right

## Electrical and Optical Characteristics (TA = 25°C)

LED Part #	Color	Luminous Intensity (mcd) Typ. @ I <sub>F</sub> (mA)	V <sub>F</sub> Typ. @ I <sub>F</sub> (mA)	Viewing Angle 2θ ½	Peak Wavelength (nm)		
<b>HIGH EFFICIENCY</b>							
1300	Yellow	6.0	10	2.0	10	60°	583
1301	Red	5.5	10	1.9	10	60°	635
1302	Green	5.0	10	2.1	10	60°	565
1313	Orange	5.5	10	1.9	10	60°	600
<b>LOW CURRENT</b>							
1303	Red	2.1	2	1.7	2	50°	635
1304	Yellow	2.1	2	1.8	2	50°	583
1305	Green	2.3	2	1.9	2	50°	565
<b>BICOLOR (2 leaded)</b>							
8901	Red	20.0	20	2.0	20	60°	627
	Green	16.0	20	2.2	20		565
8903	Yellow	7.0	20	2.1	20	60°	590
	Green	16.0	20	2.2	20		565
<b>BLUE</b>							
8310	Blue	1100	20	3.3	20	30°	468
<b>ULTRA BRIGHT</b>							
1310	Red	55.0	20	1.9	20	45°	635
1311	Yellow	45.0	20	2.1	20	45°	583
1312	Green	45.0	20	2.2	20	45°	565
1315	Red	45.0	20	1.8	20	60°	645
<b>SUPER ULTRA BRIGHT</b>							
8306	Green	150.0	20	2.2	20	50°	565
8312	Yellow	700.0	20	2.0	20	50°	590
8313	Red	800.0	20	1.85	20	50°	660
<b>WHITE</b>							
1331	White	1600	20	3.3	20	34°	N/A

## How To Order



## Special Features

\*Patented



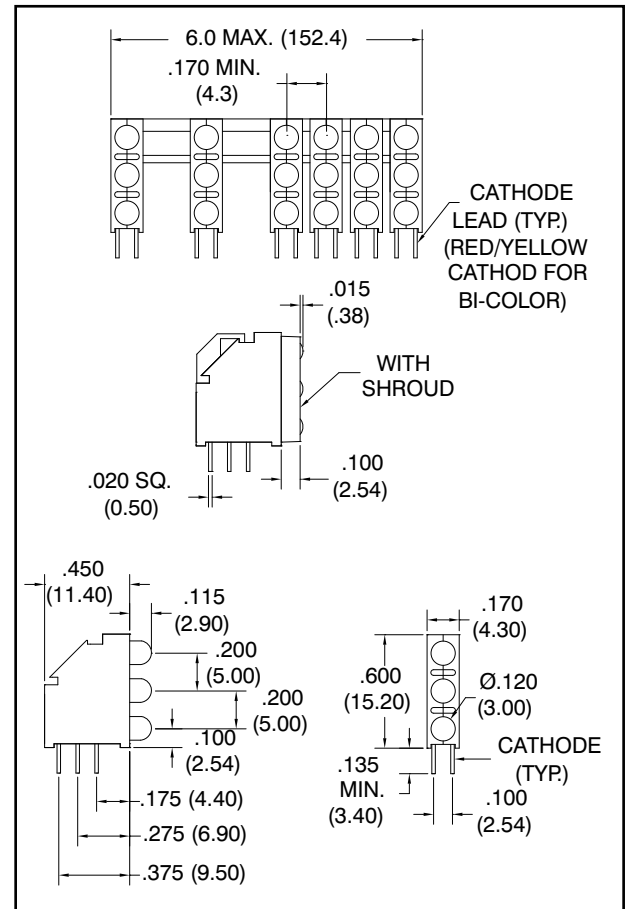
3mm PC Board Mount LEDs

- Customized to your specifications without tooling charges
  - Variable LED spacing .170" (4.32mm)
  - Maximum bar length 6.0" (152.4 mm)
- Available with 2 to 33 tri-level T1 LEDs in one assembly
- Bar provides consistent alignment for multiple LED mounting
- Wave solderable and chemically cleanable
- Housing and bar material UL 94V-O rated
- Shrouded option for backlighting
- Tri-level design saves PC board space

## Electrical and Optical Characteristics (TA = 25°C)

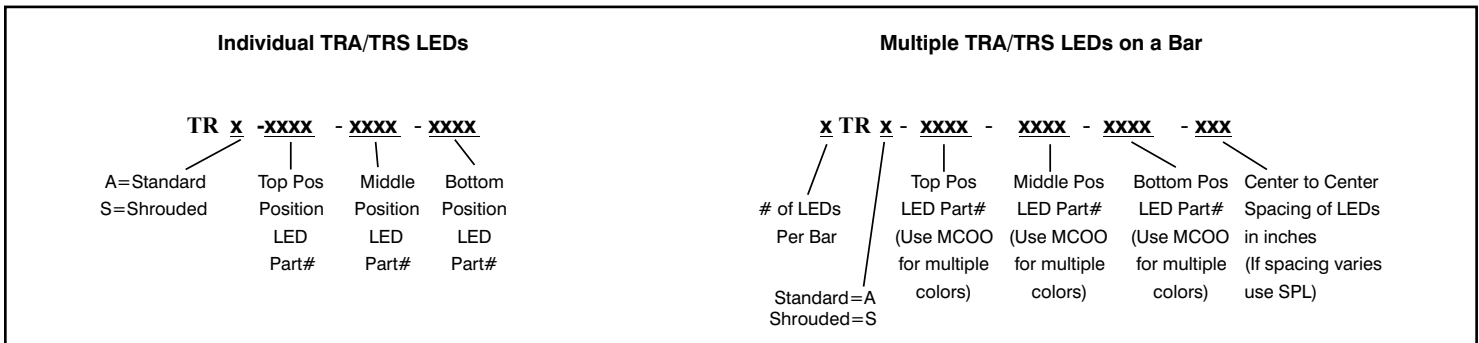
LED Part #	Color	Luminous Intensity (mcd) Typ. @ I <sub>f</sub> (mA)	V <sub>f</sub> Typ. @ I <sub>f</sub> (mA)	Viewing Angle 2θ ½	Peak Wavelength (nm)		
<b>HIGH EFFICIENCY</b>							
1300	Yellow	6.0	10	2.0	10	60°	583
1301	Red	5.5	10	1.9	10	60°	635
1302	Green	5.0	10	2.1	10	60°	565
1313	Orange	5.5	10	1.9	10	60°	600
<b>LOW CURRENT</b>							
1303	Red	2.1	2	1.7	2	50°	635
1304	Yellow	2.1	2	1.8	2	50°	583
1305	Green	2.3	2	1.9	2	50°	565
<b>BICOLOR (2 leaded)</b>							
8901	Red	20.0	20	2.0	20	60°	627
	Green	16.0	20	2.2	20		565
8903	Yellow	7.0	20	2.1	20	60°	590
	Green	16.0	20	2.2	20		565
<b>BLUE</b>							
8310	Blue	1100	20	3.3	20	30°	468
<b>ULTRA BRIGHT</b>							
1310	Red	55.0	20	1.9	20	45°	635
1311	Yellow	45.0	20	2.1	20	45°	583
1312	Green	45.0	20	2.2	20	45°	565
1315	Red	45.0	20	1.8	20	60°	645
<b>SUPER ULTRA BRIGHT</b>							
8306	Green	150.0	20	2.2	20	50°	565
8312	Yellow	700.0	20	2.0	20	50°	590
8313	Red	800.0	20	1.85	20	50°	660
<b>WHITE</b>							
1331	White	1600	20	3.3	20	34°	N/A

## Package Dimensions



All dimensions are in inches (mm)  
Standard polarity shown in drawing: Cathode right

## How To Order



## Special Features

- Customized to your specifications without tooling charges
  - Variable LED spacing, minimum, .280" (7.1 mm)
  - Maximum bar length 6.0" (152.4 mm)
- Available with 2 to 22 T1 3/4 LEDs in one convenient assembly
- Bar provides consistent alignment for multiple LED mounting
- Wave solderable and chemically cleanable
- Housing and bar material UL 94V-O rated

\*Patented

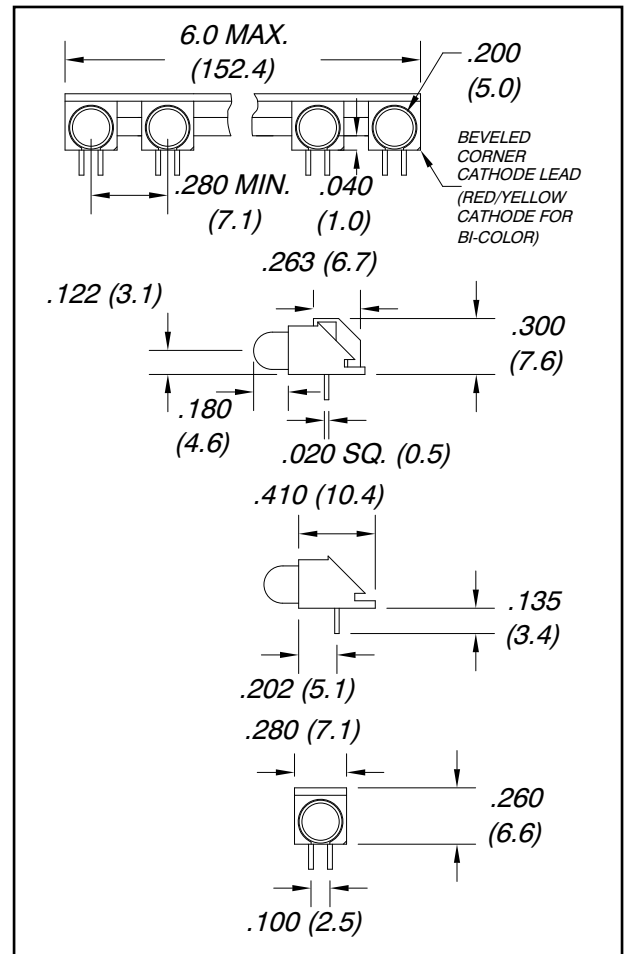


5mm PC Board Mount LEDs

## Electrical and Optical Characteristics (TA = 25°C)

LED Part #	Color	Luminous Intensity (mcd) Typ. @ I <sub>f</sub> (mA)	V <sub>f</sub> Typ. @ I <sub>f</sub> (mA)	Viewing Angle 2θ 1/2	Peak Wavelength (nm)		
<b>HIGH EFFICIENCY</b>							
3008	Red	11.0	10	1.9	10	60°	635
3019	Green	14.0	10	2.1	10	60°	565
3020	Yellow	8.0	10	2.0	10	60°	583
3022	Orange	7.0	10	1.9	10	60°	600
<b>ULTRA BRIGHT - DAYLIGHT READABLE</b>							
3056	Red	400.0	20	1.9	20	30°	660
3055	Yellow	400.0	20	2.0	20	30°	590
3054	Green	300.0	20	3.2	20	30°	520
3060	Orange	600.0	20	2.1	20	30°	610
<b>SUPER ULTRA BRIGHT</b>							
3036	Red	2800.0	20	1.85	20	20°	660
3046	Red	900.0	20	1.9	20	30°	626
3047	Green	5490.0	20	3.2	20	20°	520
3048	Amber	1300.0	20	2.02	20	30°	592
<b>BLINKING (Operates at 3.5V to 14V, blinking frequency from 3.0Hz to 1.5Hz)</b>							
4002	Red	198.0	22	5.0	22	60°	660
<b>BLUE</b>							
3044	Blue	60.0	20	3.8	20	20°	430
3057	Blue	640.0	20	3.3	20	20°	468
<b>WHITE</b>							
3061	White	27000.0	20	3.2	20	15°	N/A
<b>BICOLOR</b>							
9001	Red	30.0	20	2.0	20	60°	627
	Green	20.0	20	2.2	20		565
9002	Yellow	10.0	20	2.1	20	60°	590
	Green	20.0	20	2.2	20		565
<b>5V INTERNAL RESISTOR</b>							
3040	Red	30.0	13	5.0	13	30°	627
3042	Yellow	20.0	13	5.0	13	30°	590
3043	Green	20.0	13	5.0	13	30°	565

## Package Dimensions



All dimensions are in inches (mm)

## How To Order

Individual RA LEDs				Multiple RA LEDs on a Bar						
RA	x	-	xxxx	x	RA	x	-	xxxx	-	xxx
LED Color	# of LEDs		See LED Part #	# of LEDs	LED Color	LED Part#		LED Part#		Center to Center Spacing of LEDs in inches (If spacing varies use SPL)
Red=R					R=Red	(Use MCOO for multiple colors)				
Yellow=Y					Y=Yellow					
Green=G					G=Green					
Orange=O					O=Orange					
Blue=L					L=Blue					
Bicolor=B					B=Bicolor					
White=W					W=White					
					M=Multiple					



## Special Features

\*Patented

- Customized to your specifications without tooling charges
  - Variable LED spacing, minimum .245" (6.22 mm)
  - Maximum bar length 6.0" (152.4 mm)
- Available with 2 to 24 T1 3/4 LEDs in one convenient assembly
- Bar provides consistent alignment for multiple LED mounting
- Available in two LED configurations - direct cross to industry standard 5mm right angle LED
- Wave solderable and chemically cleanable
- Housing and bar material UL 94V-0 rated

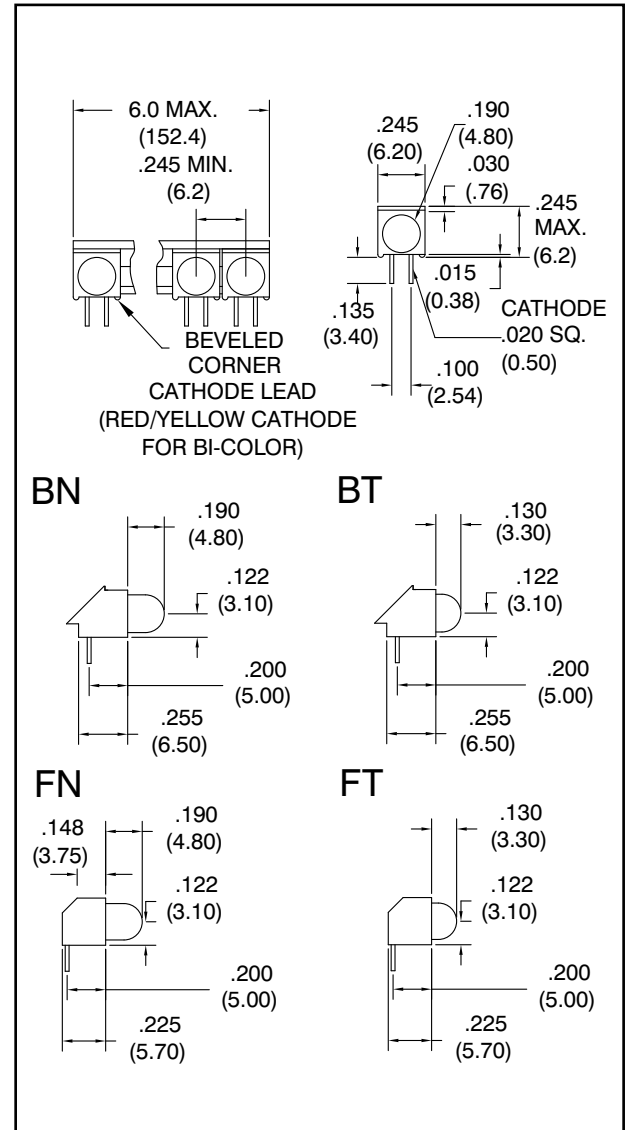


5mm PC Board Mount LEDs

## Electrical and Optical Characteristics (TA = 25°C)

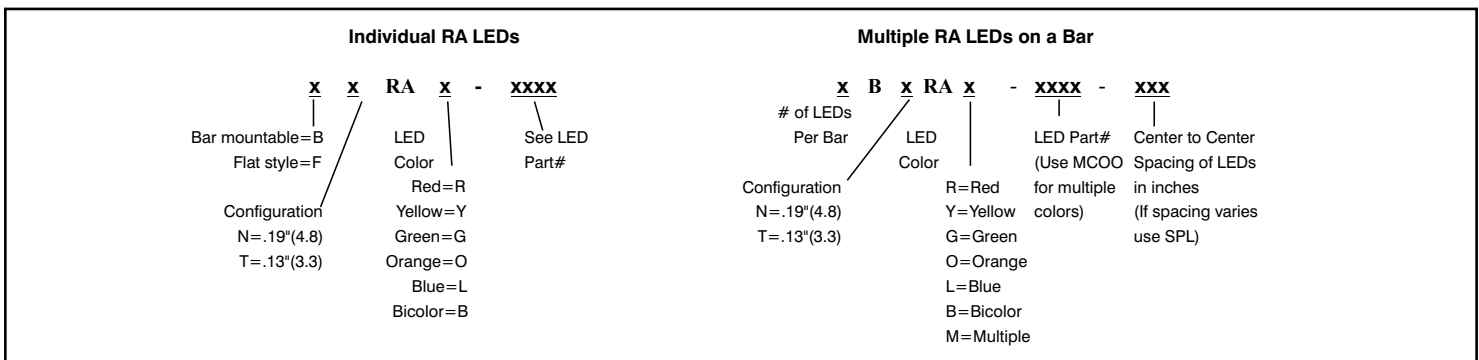
LED Part #	Color	Luminous Intensity (mcd) Typ. @ I <sub>f</sub> (mA)	V <sub>f</sub> Typ. @ I <sub>f</sub> (mA)	Viewing Angle 2θ 1/2	Peak Wavelength (nm)		
<b>HIGH EFFICIENCY</b>							
9102	Red	5.6	10	2.0	20	60°	635
9103	Green	5.6	10	2.2	20	60°	565
9104	Yellow	5.6	10	2.1	20	60°	585
9105	Orange	5.6	10	2.0	20	60°	630
<b>5 V INTERNAL RESISTOR</b>							
9124	Red	16.0	12	5.0	10	60°	625
9125	Yellow	16.0	12	5.0	10	50°	590
9126	Green	16.0	12	5.0	10	50°	565
<b>BICOLOR</b>							
9109	Red	38.0	20	2.0	20	60°	660
	Green	13.0	20	2.2	20		585
9128	Yellow	10.0	20	2.1	20	60°	590
	Green	25.0	20	2.2	20		565
<b>ULTRA BRIGHT - DAYLIGHT READABLE</b>							
9134	Green	148.0	20	2.1	20	60°	574
9135	Blue	198.0	20	3.3	20	60°	468
9136	Red	447.0	20	2.5	20	60°	650
9137	Yellow	397.0	20	2.0	20	60°	590
<b>BLINKING (Operates at 3.5V to 14V, blinking frequency from 3.0Hz to 1.5Hz)</b>							
4001	Red	248.0	22	5.0	22	60°	660
<b>LOW CURRENT</b>							
9121	Red	2.0	2	1.7	2	60°	625
9122	Yellow	2.0	2	1.85	2	60°	590
9123	Green	2.0	2	1.9	2	60°	565

## Package Dimensions



All dimensions are in inches (mm)

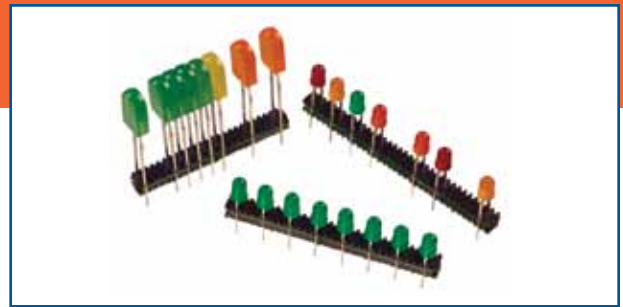
## How To Order



## Special Features

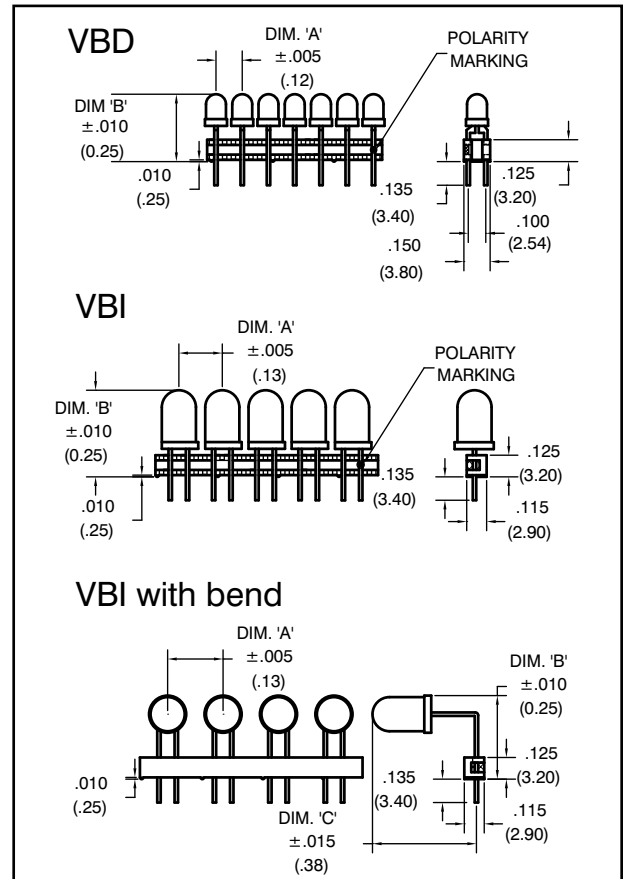
\*Patented

- Mounts series of LEDs in single-in-line or dual-in-line footprint
- Customized to your specifications without tooling charges
  - Center LED spacing in .050" increments or built to your specifications
  - Minimum spacing .100" (2.54 mm)
  - Maximum bar length 3.0" (76.2 mm)
  - Color combinations available at no extra cost
  - Assembly height built to your design
- Any size or type LED can be used- VBI bar holds 3 leaded LEDs
- Bar provides consistent alignment and one-step PC Board mounting
- Bottom standoff facilitates board washing
- Wave solderable and chemically cleanable – bar material UL 94V-O rated
- Polarity identification on bar
- Custom offset and right angle bends available on VBI bar



PC Board Mount LEDs

## Package Dimensions



All dimensions are in inches (mm)

## Electrical and Optical Characteristics (TA = 25°C)

LED Part #	Color	Luminous Intensity (mcd) Typ. @ I <sub>f</sub> (mA)	V <sub>f</sub> Typ. @ I <sub>f</sub> (mA)	Viewing Angle 2θ ½	Peak Wavelength (nm)		
<b>HIGH EFFICIENCY T1 ( 3mm)</b>							
1300	Yellow	6.0	10	2.0	10	60°	583
1301	Red	5.5	10	1.9	10	60°	635
1302	Green	5.0	10	2.1	10	60°	565
1313	Orange	5.5	10	1.9	10	60°	600
<b>HIGH EFFICIENCY T 1 3/4 ( 5mm)</b>							
3008	Red	11.0	10	1.9	10	60°	635
3019	Green	14.0	10	2.1	10	60°	565
3020	Yellow	8.0	10	2.0	10	60°	583
3022	Orange	7.0	10	1.9	10	60°	600
<b>HIGH EFFICIENCY 2.5 x 5mm ( Tombstone)</b>							
5001	Yellow	5.0	10	2.1	20	100°	590
5002	Green	6.0	10	2.2	20	100°	565
5003	Red	10.0	10	2.0	20	100°	627

## How To Order

**VBI Bar**

**x - VBI- xxxx - xxx - xxx - VTL - S**

x / Number of LEDs per bar

xxxx / LED Type/Color (See LED Part#) Use MCOO for multiple colors

xxx / Center to Center Spacing of LEDs ( Ref: Dim A) If varies, use SPL

xxx / Nominal assembly height off PCB in inches (Ref: Dim B)

S=Standard X=Special

**VBD Bar**

**x - VBD - xxxx - xxx - xxx - VTL - S**

x / Number of LEDs per bar

xxxx / LED Type/Color (See LED Part#) Use MCOO for multiple colors

xxx / Center to Center Spacing of LEDs (Ref: Dim A) If varies, use SPL

xxx / Nominal assembly height off PCB in inches (Ref: Dim B)

VTL=Vertical xxx=Bend Dimension from LED to leads in inches (Ref: Dim C)

S=Standard X=Special

To support design engineers in selecting the right LED indicator for their design, Wilbrecht Ledco has assembled design kits for panel and printed circuit board mount applications. With a kit, an engineer can test a variety of LEDs in a prototype unit and save considerable time and expense.

Wilbrecht Ledco also builds custom samples to specific requirements for qualified customers.



### **RoHS Compliant LED Sampler**

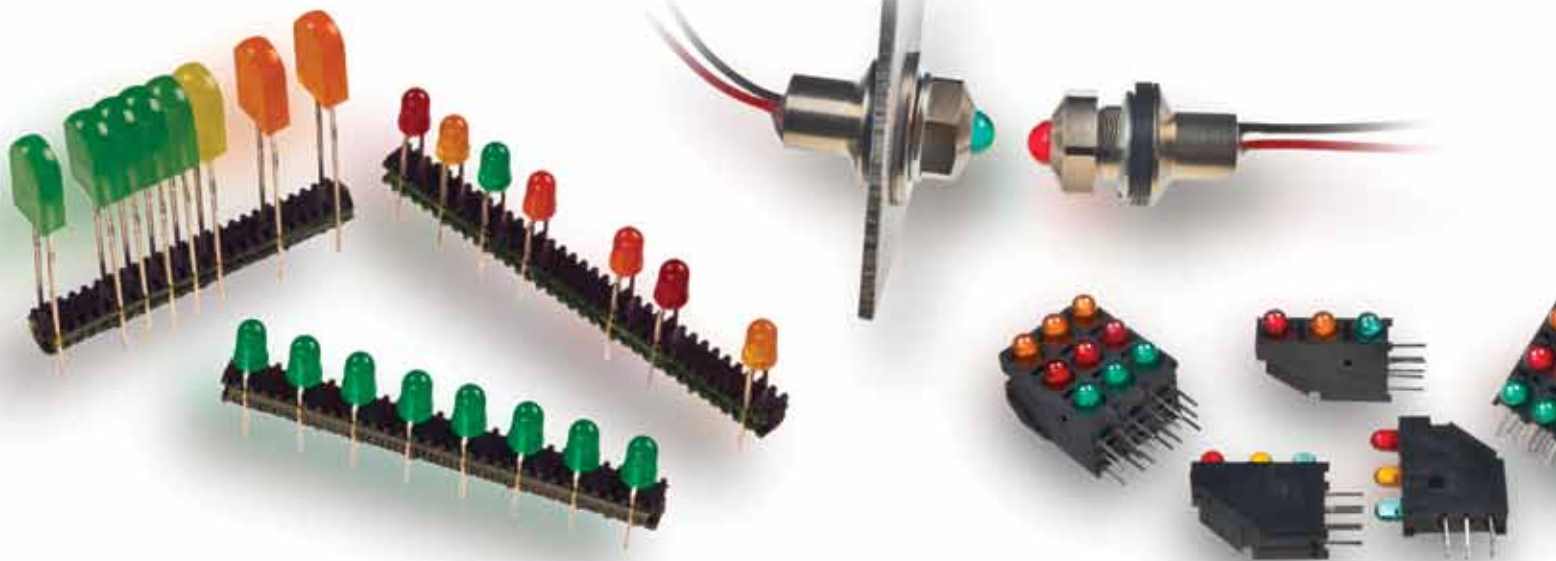
An assortment of RoHS Compliant LED indicators for panel and printed circuit board mount applications. The panel mount kit contains 3mm and 5mm LED indicators in varied colors for a range of mounting hole sizes. Single and bar mount 3mm and 5mm right angle LEDs, as well as vertical LED bars, are supplied in the printed circuit board kit.



### **New Engineer's Design Kit with Latest Panel Mount LEDs**

Wilbrecht Ledco has assembled more than 50 of the most popular, and latest, panel mount LEDs into a single design kit exclusively for engineers. The 3mm to 5mm LED models are all fully assembled indicators ranging in hole sizes from 0.156" to 0.500". Ready for a drop-in fit, the LEDs come with mounting hardware, insulated leads, and are ready for operation in a range of 2V-60VDC and 120VAC.

For additional information on how to incorporate LEDs into your designs, contact Wilbrecht Ledco toll free at 1-888-323-8751 or [info@wilbrechtledco.com](mailto:info@wilbrechtledco.com).



**WILBRECHT LEDCO, INC.** 1400 Energy Park Dr. ■ Suite 20 ■ St. Paul, MN 55108-5248  
(651) 659-0919 ■ Toll free (888) 323-8751 ■ FAX (651) 659-9204

[www.wilbrechtledco.com](http://www.wilbrechtledco.com) ■ [info@wilbrechtledco.com](mailto:info@wilbrechtledco.com)



For more information, please contact one of our resellers or visit our website: [www.wilbrechtledco.com](http://www.wilbrechtledco.com)



## X-ON Electronics

Largest Supplier of Electrical and Electronic Components

*Click to view similar products for [LED Panel Mount Indicators](#) category:*

*Click to view products by [Visual Communications Company](#) manufacturer:*

Other Similar products are found below :

[607-3232-140F](#) [821-0331-503](#) [FL2870C8R](#) [FL2950WL7B](#) [FL2950WL8G](#) [FL589WL8R](#) [FL67C8R](#) [H8630FBBA3](#) [NL177WL2A](#)  
[NL177WL3G](#) [NL276C2A](#) [NL2950BWL3G](#) [NL589WL2R](#) [NL67C2C](#) [NL67C3R](#) [C480AABG3](#) [PB22BM41K](#) [PB22SIM40Y](#)  
[PB22SKRS31KC](#) [L32R-R2-2311](#) [L3353-MWRG](#) [L39UR-R24-2111](#) [L58D-G2-W](#) [L58D-Y2-W](#) [L59D-R12-W](#) [L59UD-R12-W](#) [L625DG](#)  
[L625DR](#) [LE177WL39007](#) [LH1048BSWL3702](#) [LH1048BWL3702](#) [LH382A](#) [LH677G](#) [LHM628A](#) [FL276WL7R](#) [FL2950BWL7R](#)  
[FL2950WL7R](#) [FL2950WL8R](#) [FL2950WL8R-12](#) [FL2951WL8G](#) [FL2951WL8R](#) [FL589C7R](#) [FL67WL8G](#) [MPC5BCW18.0](#) [556-1605-808F](#)  
[556-1705-809F](#) [556-3008-839F](#) [558-0201-818F](#) [559-0001-813F](#) [559-1301-801F](#)