

LMC Series

Ø.102" (2.59mm) Clear Rigid Panel Mount Light Pipe



2.5mm round Light Pipe mount securely to display panel providing 160° viewing angle. Available in different lengths fit into 0.102" (2.59mm) panel hole diameter on 3/16" centers.

Applications

- Audio/Video
- Dark Room Equipment
- Electrical Panels
- Control Panels
- Industrial
- Data Centers
- IoT
- Studio Control
- Transportation

Key Features

- For panel hole diameter .102" (2.59mm) hole on 3/16" centers. Use retainer (RTN_100)
- Available in standard lengths from .100" to 1.20"
- For use with surface mount (SMD) and through-hole LEDs
- Low profile design
- Optical grade acrylic for maximum light transmission (UL94-HB)
- Wide viewing angle at 160°
- No physical connection between light pipe and LED provides versatility for assembly
- Optional RTN_100 provides a reliable solution for high-vibration environments and will secure the placement of the light pipe to the panel (RTN_100 sold separately)
- Custom lengths available, contact VCC
- RoHS and REACH Compliant

Ordering Data

Series		Length Code (Min 010=.100" / Max 120=1.20")		Color	
LMC	-	100		-	CTP
		010	.100" (2.54mm)	CTP	Clear
		020	.200" (5.08mm)		
		030	.300" (7.62mm)		
		034	.340" (8.63mm)		
		040	.400" (10.16mm)		
		048	.480" (12.19mm)		
		060	.600" (15.24mm)		
		080	.800" (20.32mm)		
		100	1.00" (25.40mm)		
		120	1.20" (30.48mm)		

Custom lengths upon request. Contact VCC



Example:

LMC_100_CTP

LMC Series 1.00" Length, Clear Light Pipe

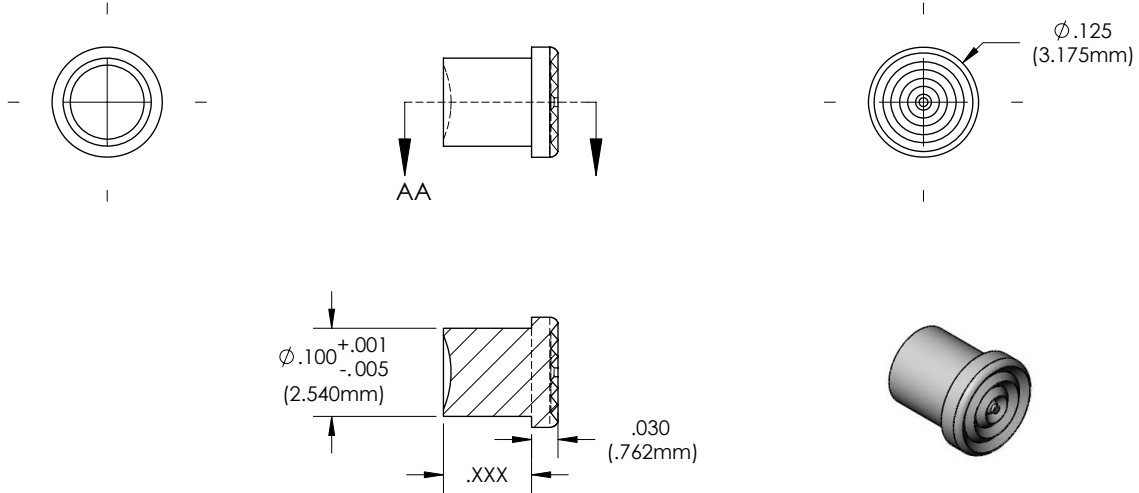
Recommended Retainer for LMC Series (sold separately)



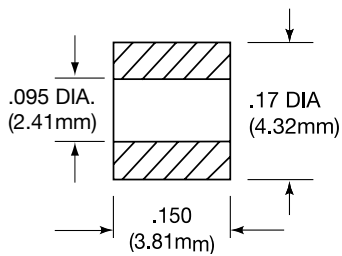
RTN_100

Product Dimensions

LMC Series



RTN_100 (sold separately)

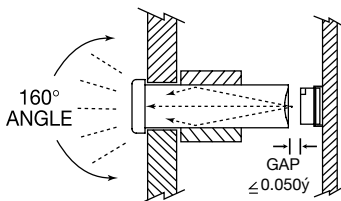


Please see RTN_100 Datasheet for more details

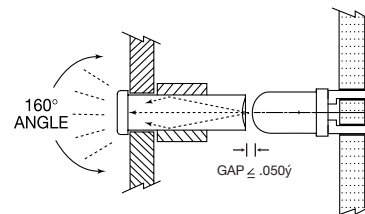
Application

Pass light pipe on panel opening. Press on retaining ring. Air gap .050" maximum between LED and light pipe for best performance.

Surface Mount LED



Through-hole LED



Notes:

1. All dimensions are in inches (millimeters)
2. The specifications, characteristics and technical data described in the datasheet are subject to change without prior notice.

Product Specifications

Materials	
LMC	Clear optical grade acrylic, UL rating 94-HB
RTN_100	TPE

Installation Specifications	
Mounting Hole	.102" (2.59mm) hole on 3/16" centers

Compliances and Approvals



X-ON Electronics

Largest Supplier of Electrical and Electronic Components

Click to view similar products for [LED Light Pipes](#) category:

Click to view products by [Visual Communications Company](#) manufacturer:

Other Similar products are found below :

[1367627-1](#) [SLP3-300-450-F](#) [SLP3-400-450-R](#) [LPA-C011301S-6](#) [LPF-C011306S](#) [FLP25-1.95](#) [VLP-640-F](#) [LPA-C011301S-5.4](#) [LPA-C041301S-2](#) [LPA-R051171S-12](#) [LPA-S011331S](#) [515-1027-803F](#) [515-1217F](#) [SLP3-150-300-R](#) [SLP3-500-450-R](#) [515-1064-810F](#) [FLPV-SG](#) [BDL-1187](#) [7511A41](#) [7511A87-500](#) [FLPV-SBC](#) [5151064802F](#) [5151-192-0055-0DF](#) [LPF-R011340S](#) [515-1166-801F](#) [FLPF-6.0](#) [PM4-C1522-3.70](#) [LC-11.25](#) [CLP-1214](#) [515-1064-808F](#) [FLX3_05](#) [515-1192-0025-0DF](#) [HS LC-H-D2/R2XC1-2 54](#) [515-1192-80-3DF](#) [1282.2600](#) [1296.2004](#) [PBLP-1001-1](#) [SZ1-10.00-A220-F4P54](#) [SZ1-10.00-A220-F4P](#) [LC2-4.1](#) [1296.7042](#) [1271.2002](#) [1272.0030](#) [1276.2004](#) [1281.1001-8MM](#) [1282.1300](#) [1296.1034](#) [1296.2022](#) [1296.2054](#) [1296.3004](#)