

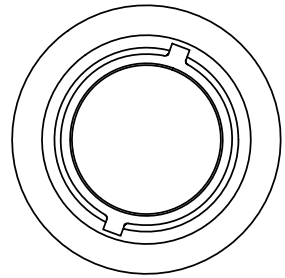
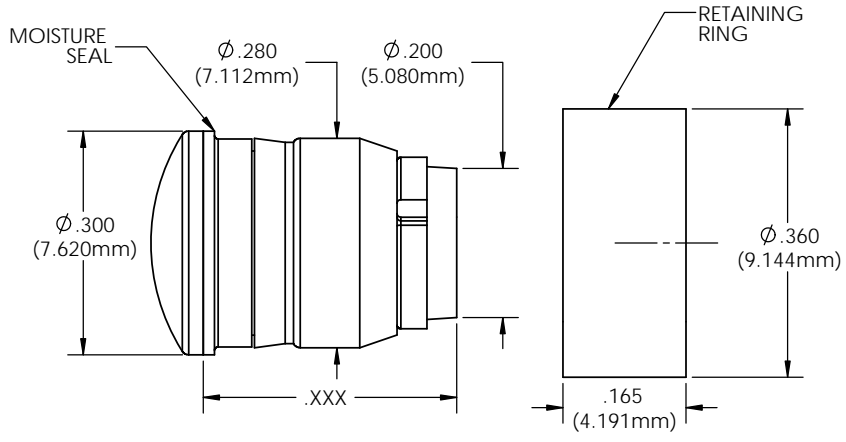
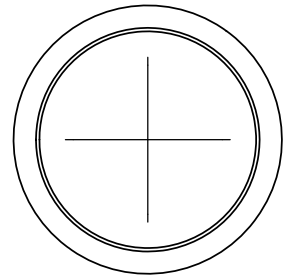
8 7 6 5 4 3 2 1

**NOTES:**

1. MOUNTING: Mounts in a  $\varnothing 281 \pm .002$  (7.14mm  $\pm 0.051$ ) panel hole on .375 (9.53mm) centers. Panel thickness .031 (.8mm) to .125 (3.18mm). Panel hole shall be deburred, but not chamfered.
2. ASSEMBLY: Insert Litepipe through the panel hole and press on retaining ring to secure unit to panel. Slide PCB into position aligning LED with the end of the Litepipe unit.
3. MATERIAL: Litepipe - Acrylic (Clear optical grade) UL 94-HB  
 Lens - Polycarbonate UL 94-V2  
 Seal - TPE  
 Retaining Ring - Polypropylene (Black)
4. Meets NEMA 4/IP 56 standards
5. U.S. & Foreign Pat. Issued



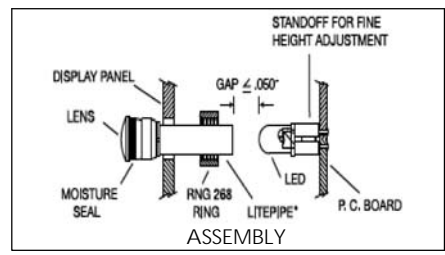
REVISIONS					
ECN #	REV.	DESCRIPTION	DATE	INITIALS	CHK'D
	001	REVISED PER ECR 111009AZ01	8/18/10	KH	DPZ
	002	MODIFIED GENERAL TOLERANCE .XX	11/14/11	RL	AZ



**ORDERING CODE: LMS XXX XXX**

LITEPIPE		LENS	
XXX =	LENGTH	XXX =	COLOR
033	.330"	RTP	RED TRANSPARENT
053	.530"	ATP	AMBER TRANSPARENT
073	.730"	GTP	GREEN TRANSPARENT
093	0.93"	BTP	BLUE TRANSPARENT
113	1.13"	YTP	YELLOW TRANSPARENT
133	1.33"	CTP	CLEAR TRANSPARENT
		GLO	WHITE TRANSLUCENT

CUSTOM LENGTHS AVAILABLE UPON REQUEST



DIMENSION STYLE: INCHES / MM GENERAL TOLERANCES UNLESS OTHERWISE SPECIFIED:	
X	$\pm .020$ / $\pm .508$
XX	$\pm .015$ / $\pm .381$
XXX	$\pm .005$ / $\pm .127$
ANGLE: 1°	
BREAK ALL CORNERS AND SHARP EDGES 45° MAX	
THIRD ANGLE PROJECTION	
PROPRIETARY AND CONFIDENTIAL THE INFORMATION CONTAINED IN THIS DRAWING IS THE SOLE PROPERTY OF VISUAL COMMUNICATIONS COMPANY, INC. ANY REPRODUCTION IN PART OR AS A WHOLE WITHOUT THE WRITTEN PERMISSION OF VISUAL COMMUNICATIONS COMPANY, INC IS PROHIBITED.	

APPROVAL	DATE
DRAWN K HOWARD	8/18/10
CHECKED DPZ	8/19/10
MATERIAL	SEE NOTES
FINISH	SEE NOTES
DO NOT SCALE DRAWING	

**VCC OPTOELECTRONICS**  
 190 BOSSTICK BLVD, SUITE 101 SAN MARCOS, CA 92069 U.S.A.  
 PHONE: (760) 560-1300, FAX: (760) 560-1301 EMAIL: vccsales@vccsite.com

**TITLE:**  
**5MM MOISTURE SEALED LITEPIPE**

SIZE <b>B</b>	DWG. NO. LMS XXX XXX	REV <b>002</b>
SCALE: 6:1		SHEET 1 OF 1

8 7 6 5 4 3 2 1

## X-ON Electronics

Largest Supplier of Electrical and Electronic Components

*Click to view similar products for [LED Light Pipes](#) category:*

*Click to view products by [Visual Communications Company](#) manufacturer:*

Other Similar products are found below :

[1367627-1](#) [SLP3-300-450-F](#) [SLP3-400-450-R](#) [LPA-C011301S-6](#) [LPF-C011306S](#) [FLP25-1.95](#) [VLP-640-F](#) [LPA-C011301S-5.4](#) [LPA-C041301S-2](#) [LPA-R051171S-12](#) [LPA-S011331S](#) [515-1027-803F](#) [515-1217F](#) [SLP3-150-300-R](#) [SLP3-500-450-R](#) [515-1064-810F](#) [FLPV-SG](#) [BDL-1187](#) [7511A41](#) [7511A87-500](#) [FLPV-SBC](#) [5151064802F](#) [5151-192-0055-0DF](#) [LPF-R011340S](#) [515-1166-801F](#) [FLPF-6.0](#) [PM4-C1522-3.70](#) [LC-11.25](#) [CLP-1214](#) [515-1064-808F](#) [FLX3\\_05](#) [515-1192-0025-0DF](#) [HS LC-H-D2/R2XC1-2 54](#) [515-1192-80-3DF](#) [1282.2600](#) [1296.2004](#) [PBLP-1001-1](#) [SZ1-10.00-A220-F4P54](#) [SZ1-10.00-A220-F4P](#) [LC2-4.1](#) [1296.7042](#) [1271.2002](#) [1272.0030](#) [1276.2004](#) [1281.1001-8MM](#) [1282.1300](#) [1296.1034](#) [1296.2022](#) [1296.2054](#) [1296.3004](#)