



# LPCR Series 0.171" (4.34mm) Press Fit, Low Profile, Fresnel Lens Vertical Rigid Light Pipe

LPCR Series litepipe™ features fresnel lens round surface for super wide viewing angle at 160 degrees

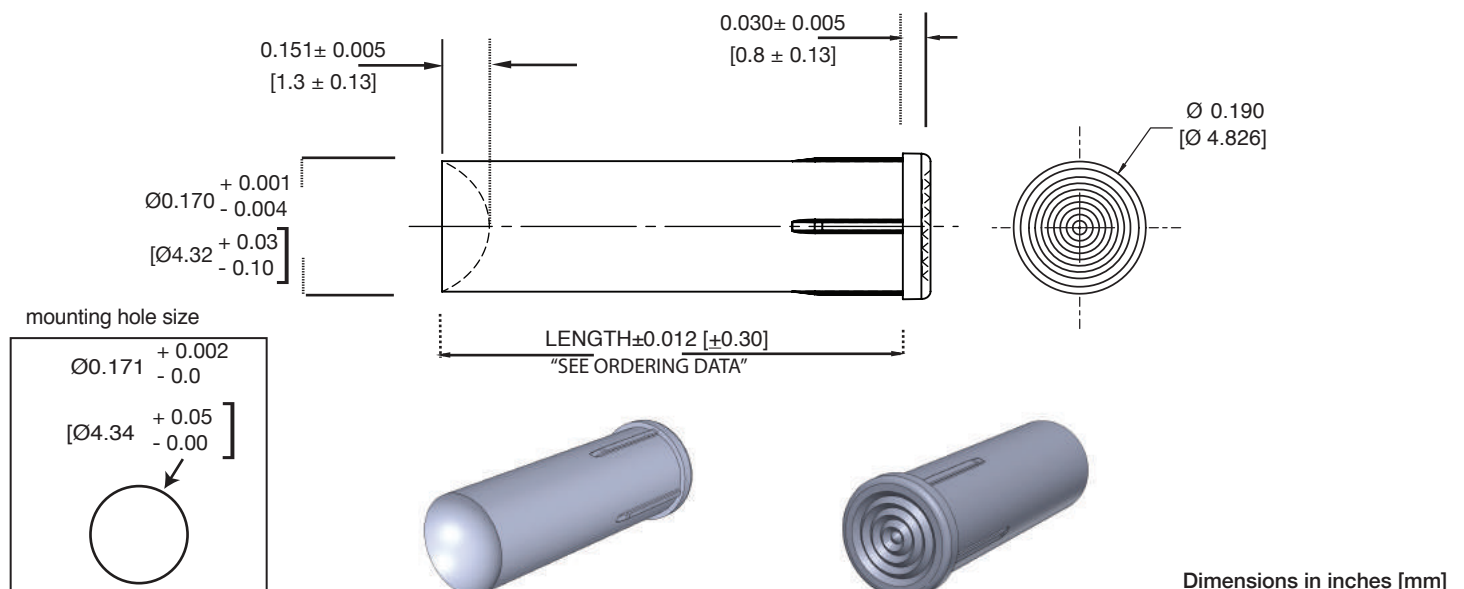
## Applications

- audio/video
- entertainment
- security
- communication
- industrial
- studio control
- dark room equipment
- medical
- transportation
- electrical panels
- IoT

## Key Features

- for use with surface-mount or through-hole LEDs
- press fit (front panel mount) with crushable ribs that simplifies installation
- optical grade polycarbonate for maximum light transmission
- no physical connection between light pipe and LED provides versatility for assembly
- low profile, flush panel design
- standard lengths from 0.125" to 1.000"
- wide viewing angle at 160 degrees
- custom lengths available
- fresnel lens provides more uniform brightness
- RTN\_150 and RTN\_250 retainers provide a reliable solution for high-vibration environments (optional)

## Dimensions



## Product Specifications

Material
Polycarbonate, clear, UL 94-V0

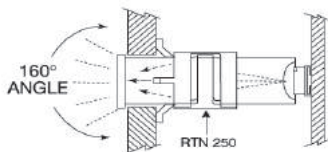
Recommended Installation Specifications	
mounting hole	0.171" + 0.002" (4.34mm + 0.05mm)
panel thickness	0.040" (1.02mm) to 0.093" (2.36mm)

Recommendation: Maximum (clearance) between LED and light pipe:  
 • 0.050" [1.3mm]

## Ordering Data and Optional Accessory

LPCR  CTP

	Length
012	0.125" (3.2mm)
025	0.250" (6.4mm)
035	0.350" (8.9mm)
037	0.375" (9.5mm)
050	0.500" (12.7mm)
063	0.625" (15.9mm)
075	0.750" (19.0mm)
100	1.000" (25.4mm)



Retainers for Light Pipe (order separately):

- recommended for high vibration applications
- secure and uniform placement of the light pipe to the panel
- field-proven design

RTN\_150

Length from 0.250" to 0.500"

Grommet for LPCR Series Light Pipe



RTN\_250

Length from 0.500" to 1.000"

Spring retainer for LPCR Series Light Pipe



## Compliances and Approvals



## X-ON Electronics

Largest Supplier of Electrical and Electronic Components

*Click to view similar products for [LED Light Pipes](#) category:*

*Click to view products by [Visual Communications Company](#) manufacturer:*

Other Similar products are found below :

[1367627-1](#) [SLP3-300-450-F](#) [SLP3-400-450-R](#) [LPA-C011301S-6](#) [LPF-C011306S](#) [FLP25-1.95](#) [VLP-640-F](#) [LPA-C011301S-5.4](#) [LPA-C041301S-2](#) [LPA-R051171S-12](#) [LPA-S011331S](#) [515-1027-803F](#) [515-1217F](#) [SLP3-150-300-R](#) [SLP3-500-450-R](#) [515-1064-810F](#) [FLPV-SG](#) [BDL-1187](#) [7511A41](#) [7511A87-500](#) [FLPV-SBC](#) [5151064802F](#) [5151-192-0055-0DF](#) [LPF-R011340S](#) [515-1166-801F](#) [FLPF-6.0](#) [PM4-C1522-3.70](#) [LC-11.25](#) [CLP-1214](#) [515-1064-808F](#) [FLX3\\_05](#) [515-1192-0025-0DF](#) [HS LC-H-D2/R2XC1-2 54](#) [515-1192-80-3DF](#) [1282.2600](#) [1296.2004](#) [PBLP-1001-1](#) [SZ1-10.00-A220-F4P54](#) [SZ1-10.00-A220-F4P](#) [LC2-4.1](#) [1296.7042](#) [1271.2002](#) [1272.0030](#) [1276.2004](#) [1281.1001-8MM](#) [1282.1300](#) [1296.1034](#) [1296.2022](#) [1296.2054](#) [1296.3004](#)